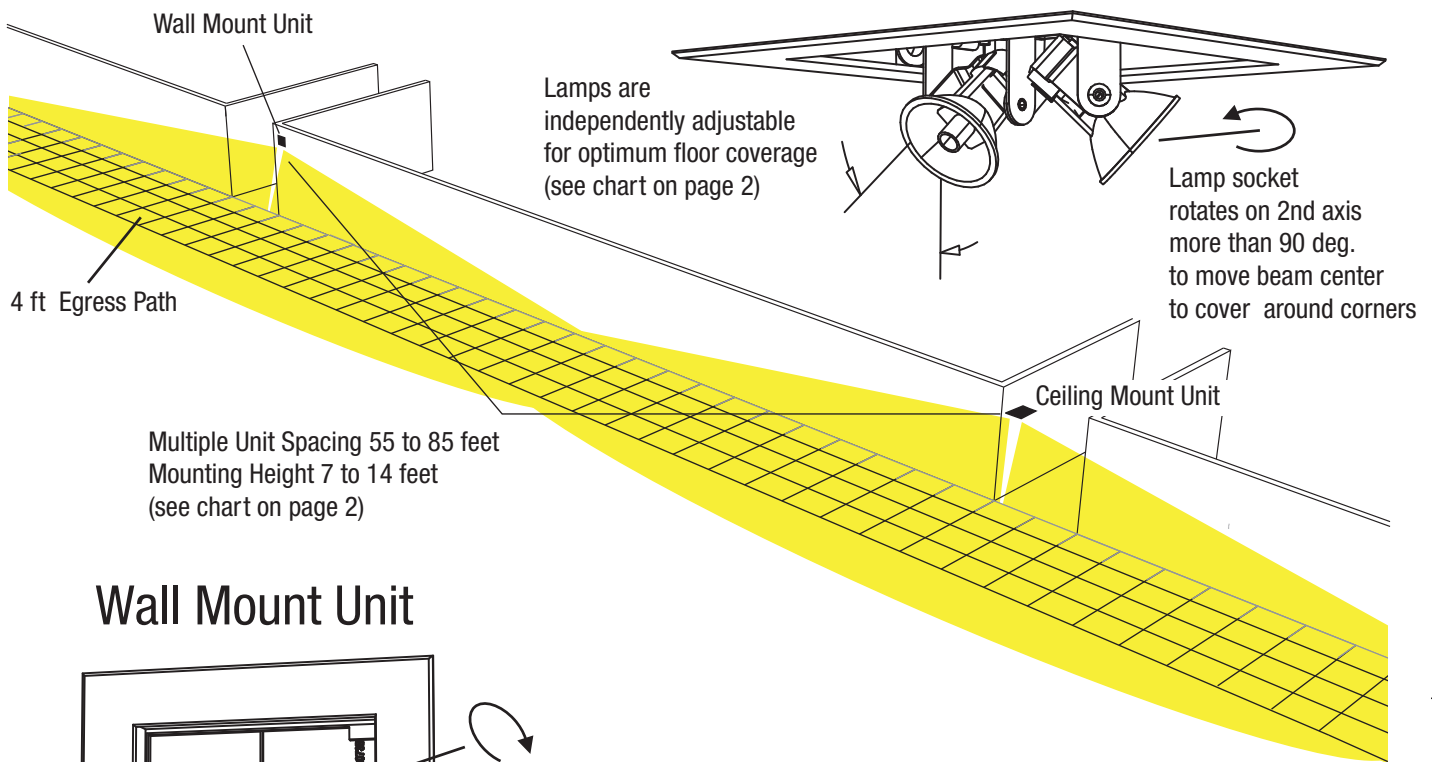


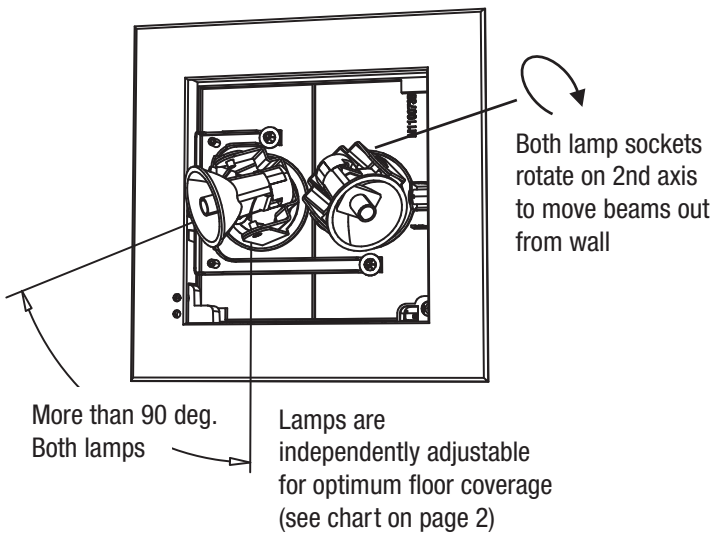
APERION - Emergency Lighting Applications Guide

Architectural Recessed

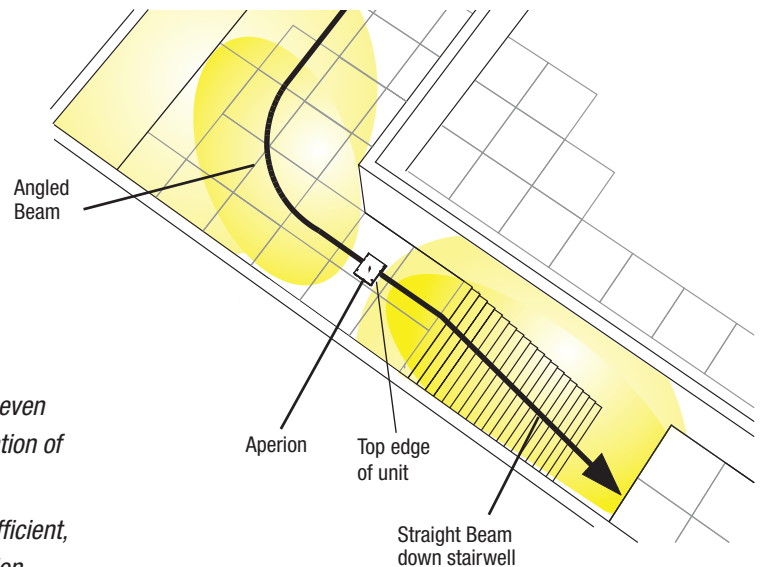
Ceiling and Wall Mount Applications



Wall Mount Unit



Special Ceiling Mount Applications



Compliance with the Life Safety Code NFPA 101, Section 7.9.2.1 requires even illumination, over a specified area of 1fc average with a minimum illumination of 0.1fc at any point with a ratio of not more than 40 to 1.

To meet this requirement Aperia uses Superflux, high intensity, energy efficient, Halogen Lamps to provide large area coverage in a small package. Precision independently adjustable light beams allow precise positioning for even coverage.

US Patent #7,654,710

Aperion Retracted Recessed Emergency Light

Recommended center to center unit spacing – 25 watt MR11 lamp STANDARD L110061 Lamp

Ceiling Mount		
Ceiling Height	Vert. Aiming Angle (Deg)	Unit Spacing (Multiple Units)
8	68	85
9	66	80
10	63	80
12	59	75
14	53	70

Wall Mount (Angle away from wall – 4 degrees)			
Ceiling Height	Unit/Lamp Height	Vert. Aiming Angle (Deg)	Unit Spacing (Multiple Units)
9	7	70	85
10	8	68	85
12	10	63	80
14	12	59	75
16	14	55	70

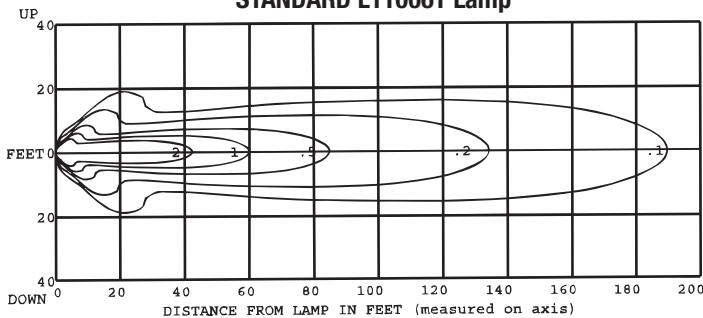
Recommended center to center unit spacing - 20 watt MR11 lamp Optional L110060 Lamp

Ceiling Mount		
Ceiling Height	Vert. Aiming Angle (Deg)	Unit Spacing (Multiple Units)
8	61	65
9	58.5	65
10	55	60
12	50	60
14	45	55

Wall Mount (Angle away from wall – 4 degrees)			
Ceiling Height	Unit/Lamp Height	Vert. Aiming Angle (Deg)	Unit Spacing (Multiple Units)
9	7	64	65
10	8	61	65
12	10	55	60
14	12	50	60
16	14	45	55

- Tables and Photometrics independently tested and compiled by ITL Boulder Testing Laboratories for Evenlite custom lamps L110061 and L110060.
- Recommended spacings based on requirements for meeting the Life Safety Standard minimum illuminance of 0.1 fc and average illuminance of 1.0 fc. Assumes that the fixture is mounted in open room 200 ft wide by 200 ft long with reflectance of 80/50/20 over 4 ft path of egress.
- Note: Recommended spacings calculated from laboratory data taken under controlled conditions in accordance with I.E.S. approved methods. Actual performance results will vary due to field conditions.
- I.E.S. data is available from Evenlite Inc.

Isocurves of Beam Footcandles - 25 watt MR11 lamp
STANDARD L110061 Lamp



Isocurves of Beam Footcandles - 20 watt MR11 lamp
Optional L110060 Lamp

