

TELESIS ERH LED - INDOOR REMOTE HEAD

The Telesis ERH MR16 halogen or MR16 LED indoor remote heads are contemporary styled architectural low profile. Offered with long lasting LED lamps and available in White or Black housing to order.

Construction

- Durable die cast aluminum housing
- White standard or Black to order finish available
- No tool rotary collar friction lock, fully adjustable swivel
- Painted steel mounting canopy mounts to standard j-box

Electrical

- Available in 6, 12 or 24 VDC operation from remote DC power source (not provided)
- Distance to remote determined by wire size and total watts on circuit
- Indoor operating temperature -30° to 40° C

Illumination

- MR16 LED lampheads
- Available from 5 to 7 watts per head

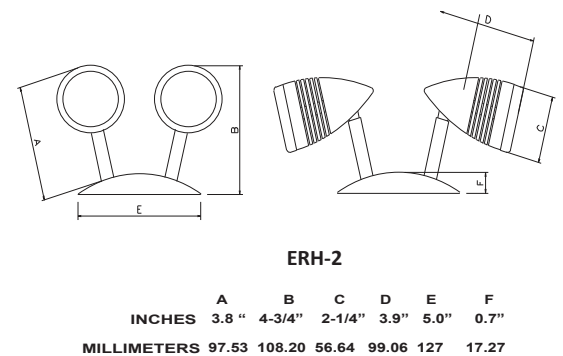
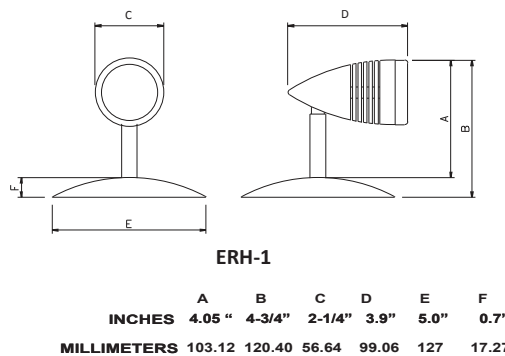
Certification

- Meets UL 924, NFPA 101 Life Safety Code, NEC, OSHA, Local and State Codes



Warranty

- Three year limited warranty



ORDERING GUIDE – ERH

Example: ERH-2-L127-B

Model	Number of Heads	Lamp Selection			Color	
ERH	1 Single	6 Volt Lamps			W White (Standard) B Black (Optional)	
	2 Double	L 65	6 Volt 5 Watt LED MR16	L 125		12 Volt 5 Watt LED MR16
		L 67	6 Volt 7 Watt LED MR16	L 127		12 Volt 7 Watt LED MR16
ERH		24 Volt Lamps				
		L 245	24 Volt 5 Watt LED MR16	L 247	24 Volt 7 Watt LED MR16	

Fill in fields from categories above and complete type and part

Type Number:

Full Part Number: