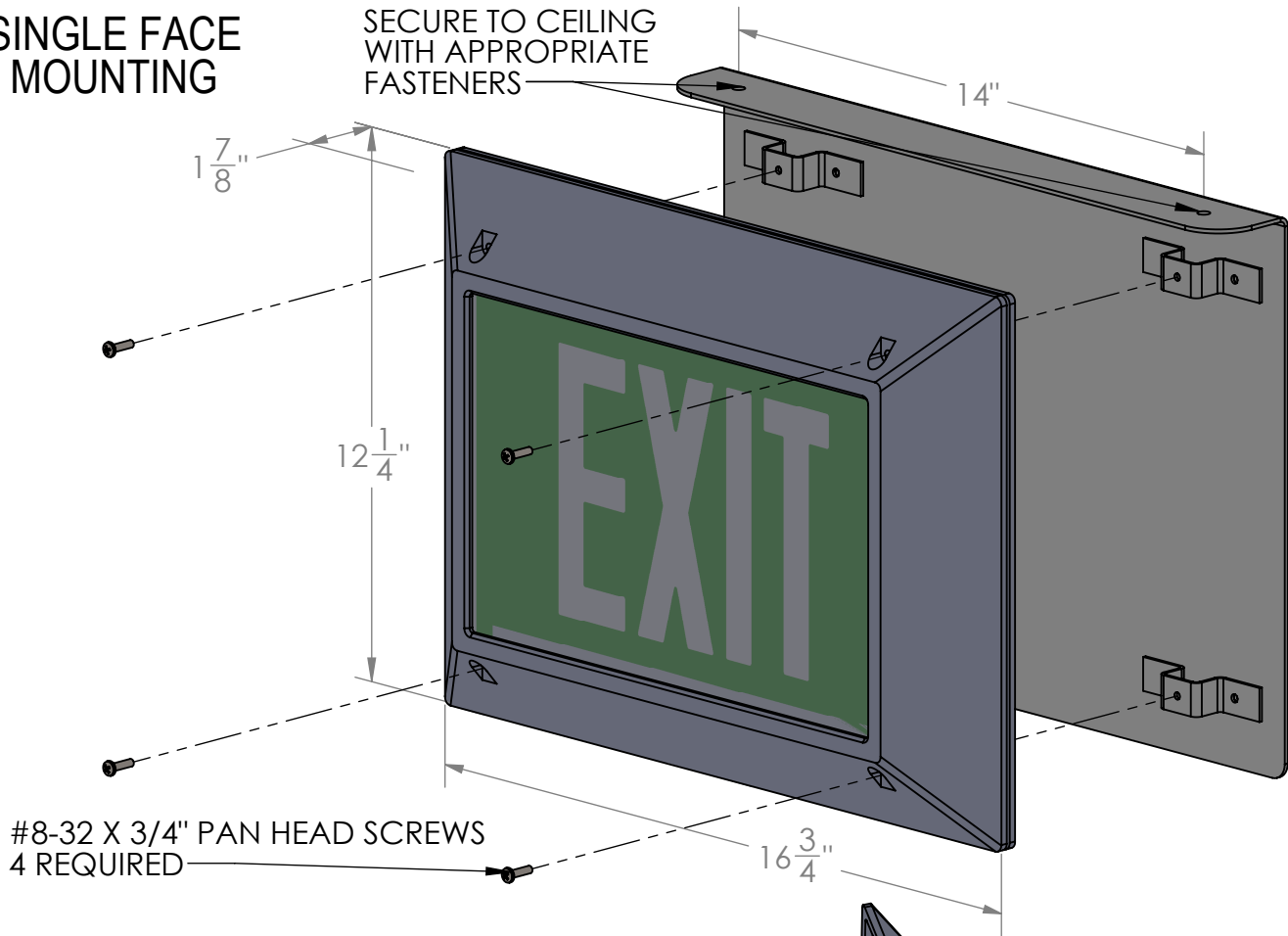


# MOUNTING INSTRUCTIONS CEILING MOUNTED INSTITUTIONAL SIGN

## SINGLE FACE MOUNTING



## DOUBLE FACE MOUNTING

