



**EVENLITE**

---

LIFE SAFETY LIGHTING SOLUTIONS

**LUCENTA  
PHOTOLUMINESCENT EXIT SIGNS**

**OPERATIONAL  
MANUAL**

2575 Metropolitan Dr • Trevose • PA 19053 U•S•A  
Telephone: (215) 244-4204 • Fax: (215) 244-4208

# IMPORTANT SAFEGUARDS

**CAUTION: EXTERNAL ILLUMINATION SOURCE REQUIRED**  
MINIMUM 5 FOOTCANDLES (54 LUX) OF UNFILTERED FLUORESCENT ILLUMINATION MUST BE PRESENT ON THE SIGN FACE(S) AT ALL TIMES DURING BUILDING OCCUPANCY.

## READ AND FOLLOW ALL SAFETY INSTRUCTIONS

Install LUCENTA photoluminescent EXIT signs only in locations, where an external illumination source is present and energized at all times, is deemed reliable and is supplied by a circuit not controlled by automatic timers or sensors, and whose controls are accessible only to authorized personnel. The sign should be charged for minimum 60 minutes to obtain full operation conditions. The sign should be mounted in a manner that ensures rigidity and mechanical sufficiency.

Should any changes in your external lighting types or lighting levels occur, confirm that the LUCENTA photoluminescent EXIT sign is still illuminated with minimum 5 foot candles (54 lux) of unfiltered fluorescent lighting.

Periodically clean the LUCENTA photoluminescent EXIT sign face(s) with a damp cloth. Do not use any thinners or solvents on the sign face(s).

Check with your applicable installation codes (such as NFPA 101 - Life Safety Code) to perform periodic visibility tests.

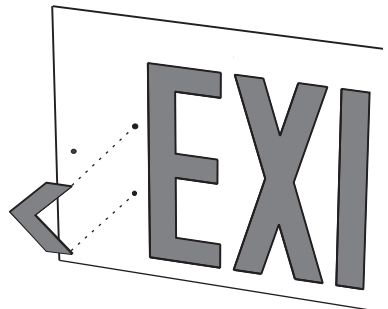
LUCENTA photoluminescent EXIT signs are intended for INDOOR use only. Do not expose to direct sunlight, liquid spray, or temperatures outside the range of 10 deg C - 40 deg C (50 deg F - 104 deg F).

## SAVE THESE INSTRUCTIONS

### INSTALLATION AND OPERATING INSTRUCTIONS

#### **DIRECTIONAL INDICATORS**

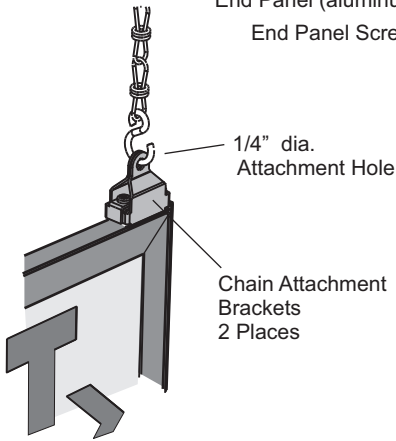
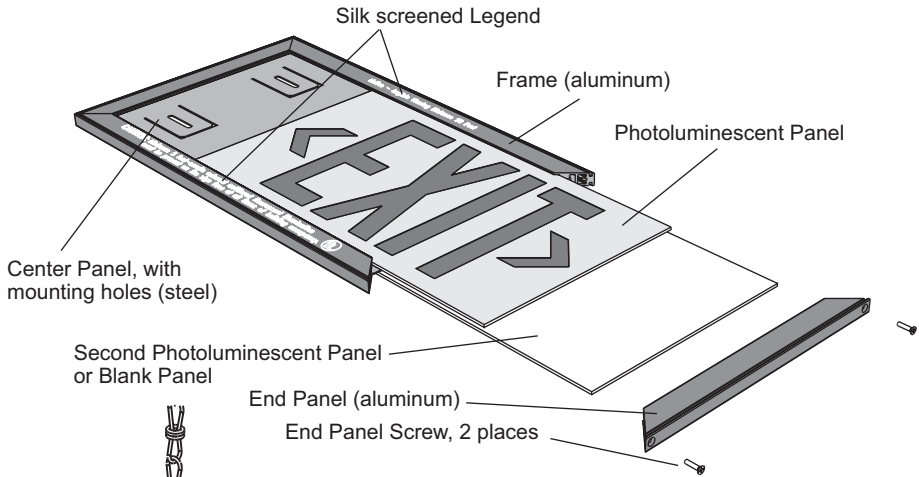
Two self-adhesive directional indicators are supplied with each sign. Small dots are provided to the left of the letter "E" and to the right of the letter "T" for alignment. Apply appropriate indicator(s) showing direction of travel to reach nearest exit.





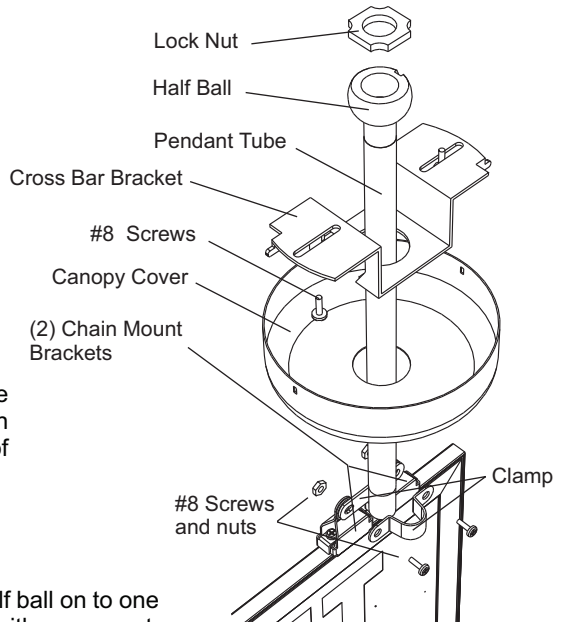
## DOUBLE FACE SIGN

For double face installation, remove end section of frame as described above, discard plastic back plate and insert additional photoluminescent panel. Attach appropriate directional indicators to both panels and reattach end section.



### CHAIN MOUNT OPTION

For applications where the sign is to be suspended by chains, attach 2 chain attachment brackets to top section of the frame using screws supplied.



### PENDANT MOUNT OPTION

For Pendant Mount, thread tapped half ball on to one end of pendant tube and lock in place with square nut. Insert other end of pendant tube through cross bar bracket so half ball is inside hat section of bracket. Insert tube through center hole of canopy so that cross bar bracket is on inside. Clamp other end of tube to attachment bracket as shown.