

# DÉCOR DESIGNER DP

## Recessed LED Emergency Light

The Decor Designer DP series provides a fully recessed, self-contained emergency lighting fixture suitable for ceiling or wall installation. By recessing the main housing the DP series provides a clean and unobtrusive emergency light to blend with your chosen Decor.



### CONSTRUCTION

- The Decor Designer DP series provides a fully recessed, self-contained emergency lighting fixture suitable for ceiling or wall installation. By recessing the main housing the DP series provides a clean and unobtrusive emergency light to blend with your chosen Decor
- One-piece, steel housing recesses into wall or ceiling. The lamp head plate is secured by torsion spring clips eliminating the need for fixing screws while allowing for ease of installation and maintenance
- Sturdy 20 gauge steel cabinet with multiple knockout entries. Lamp head plate is finished in a durable white powder coat (other colors available to order)

### ELECTRICAL

- Higher capacity units provide for additional remote lighting loads
- Choice of maintenance free sealed Lead Calcium or Nickel Cadmium batteries, minimum 90 minute operation
- Brown out sensing assures emergency operation during periods of low line voltage
- Premium, fully automatic current limited "Pulse Switching" charger provides ideal charge conditions for optimum battery performance and life
- Short Circuit battery protection

- Field selectable 120 or 277 VAC input
- Momentary test switch and dual diagnostic LED indicator displays AC presence and Hi-Charge status
- Line-latch prevents unnecessary discharge of battery during installation, loads will not illuminate until after application of utility power
- Low voltage cut-off prevents battery damage and ensures positive charge acceptance following an extended discharge
- Self-Test / Self-Diagnostic monitoring available

### ILLUMINATION

- Available with two fully adjustable PAR 36 or the smaller PAR 18 lightheads, which are now available with MR16 LED lamps. Standard lamp is 9 watt.

### CERTIFICATION

- Listed to UL 924, meets NFPA 101 Life Safety Code, NFPA 70-NEC and OSHA requirements
- Buy American Act compliant

### WARRANTY

- 3 year limited warranty- view complete warranty terms online at [www.evenlite.com/terms-warranty](http://www.evenlite.com/terms-warranty).

### ORDERING GUIDE

DP2E18-2-L65-SD

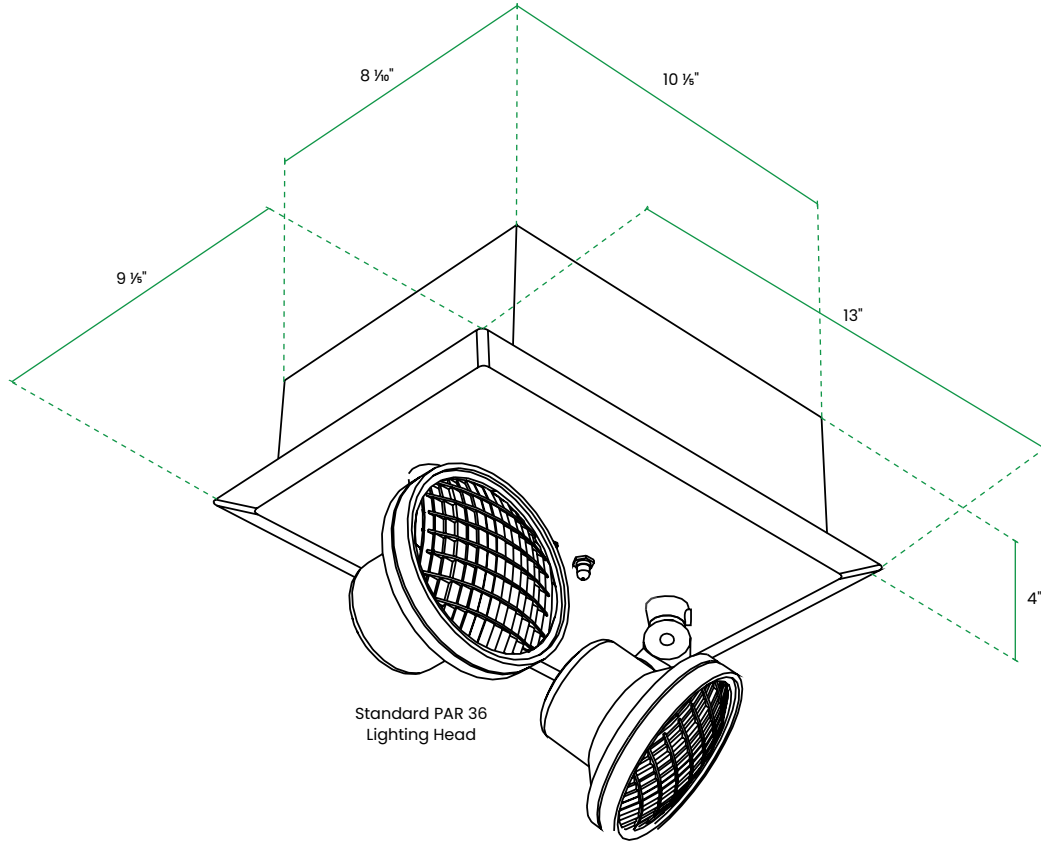
MODEL	OPERATING VOLTAGE / WATTAGE		NO. OF LIGHTHEADS	LAMP OPTIONS	OPTIONS
DP	<b>LEAD CALCIUM BATTERY</b> 90 MINUTE CAPACITY	<b>NICKEL CADMIUM BATTERY</b> 90 MINUTE CAPACITY	0 No Lightheads	<b>W69</b> 6V 9W Tungsten Standard	<b>SD</b> Self-Test / Self-diagnostic
	<b>2E18</b> 6 Volt – 18 Watts	<b>2N22</b> 6 Volt – 22 Watts	2 Double Lightheads	<b>W129</b> 12V 9W Tungsten Standard	<b>TD</b> 15 Minute Time Delay ( <i>Specify AC Voltage</i> )
	<b>2E27</b> 6 Volt – 27 Watts	<b>2N42</b> 6 Volt – 42 Watts		<b>L65</b> 6V 5W LED PAR 18 Thermoplastic	<b>B</b> Black Housing and Heads
	<b>2E36</b> 6 Volt – 36 Watts	<b>4N42</b> 12 Volt – 42 Watts		<b>L67</b> 6V 7W LED PAR 18 Thermoplastic	
	<b>4E36</b> 12 Volt – 36 Watts			<b>L125</b> 12V 5V LED PAR 18 Thermoplastic	
DP				<b>L127</b> 12V 7W LED PAR 18 Thermoplastic	

Fill in fields from categories above and complete type and part number.

Type No:

Full Part No:

**DIMENSIONS**



**COMPATIBLE MR16 LIGHTHEADS**

VOLTAGE / WATTAGE	LUMENS
6 OR 12 V 5W LED	300
6 OR 12 V 7W LED	382

**SPACING DIAGRAM**

MOUNTING HEIGHT IS 8' REFLECTANCE OF 80-50-20

