

TELESIS TEXZU

NYC-Approved Universal 8" LED Edge-Lit Exit Sign

Sleek, modern, and designed for mounting versatility, the Telesis Edgelit universal is the ideal Exit sign solution for any commercial interior. Its contemporary styling, soft curves, and low-profile housing blend seamlessly into any space, while the brightly illuminated, hinging lens creates a striking 'floating' Edgelit effect. Combining aesthetic appeal with practical performance, the Telesis Edgelit delivers exceptional value—making it a top choice for distributors, contractors, and designers alike.

Fully universal in design, the Telesis Edgelit supports recessed ceiling or wall installation, as well as surface mounting on walls, ceilings, or end mounts. With single- or double-face configurations that are field selectable, it offers unmatched flexibility to meet the demands of any installation.



CONSTRUCTION

- Low Profile extruded aluminum housing with easy access cover and optional matching recessed trim plate (pre-fitted with test switch and indicator for EM models). Finished in durable anodized satin aluminum
- Injection molded gray Endcaps and canopy to match
- Includes optional fully enclosed recessed backbox assembly fabricated from formed sheet steel with adjustable bar hangers to suit T-Bar or Joist mounting up to 24"
- Universal Canopy and crossbar provide optional surface mounting in Top, Wall, or End mount configurations.
- Unique pivoting housing allows for wall mounting or for "hang-straight" applications on sloped ceilings
- Last to assemble snap-in-lens for versatility and ease of installation

UNIVERSAL KIT

- The TEXZU is provided with a field selectable Single Face Clear panel and a Double Face Exit Panel with a mirror background divider. The Double Face Sign has a Mirror reflector sealed between the two exit panels to stimulate a clear background for Double Face exits. For additional field versatility the Double Face model includes a single sided mirror reflector with two adhesive strips that can be applied externally to cover over one exit face to convert to a Single Face Mirror sign. For a purpose sealed Single Face Mirror panel order option TEXNR1M.
- Field selectable Chevron directional indicators included as standard

ELECTRICAL

- Universal 120 or 277 VAC field selectable input
- Power consumption: AC only Red <3 Watts, EM Red 4.1 Watts

- Listed for indoor damp locations 10°C to 40°C
- EM models feature a 4.8V long life Maintenance Free Nickel Cadmium battery, providing 90 minute emergency run time
- Self-test, Self-Diagnostics included as standard in EM models
- Solid state battery charging circuit provides 24-hour recharge
- Low voltage cut-off prevents battery deep discharge damage and ensures positive charge acceptance following an extended discharge
- Surge and brownout protection are standard
- EM models include Push to test Switch and AC present indicator

ILLUMINATION

- Maintenance free LED light source with 25+ years life expectancy
- Crystal clear acrylic Edgelit lens with screen printed legend
- Red LED with 8" letters and 1" stroke for 100' NYC code compliance

CERTIFICATION

- Tested and Listed by Underwriters Laboratories in compliance with UL924
- Meets or exceeds all performance standards as required by NFPA 101 Life Safety Code, NFPA 70-NEC and OSHA California Title 20 Certified

WARRANTY

- 5 year limited warranty - view complete warranty terms online at www.evenlite.com/terms-warranty.

ORDERING GUIDE

TEXZU-EM-NR-BA

MODEL	OPERATION	LETTER COLOR	HOUSING COLOR	ORDERING NOTES
TEXZU	AC AC Only (120/277 VAC)	NR Red 8" NYC	BA Brushed Aluminum	1 For greater versatility and options see Sovereign II Series
	EM Battery Backup Emergency			
TEXZU		NR	BA	

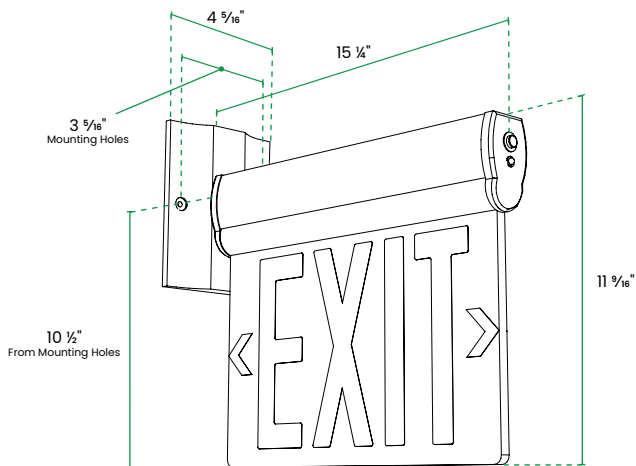
Fill in fields from categories above and complete type and part number.

Type No:

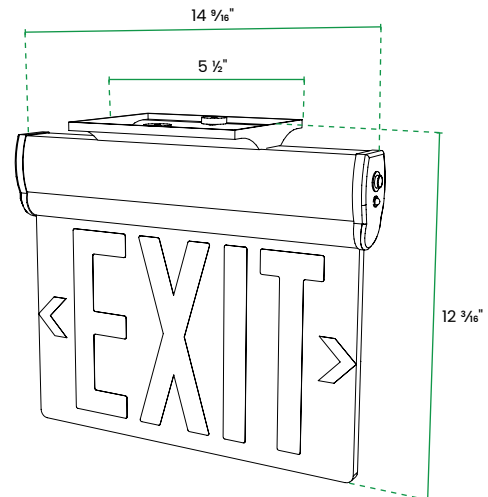
Full Part No:

DIMENSIONS

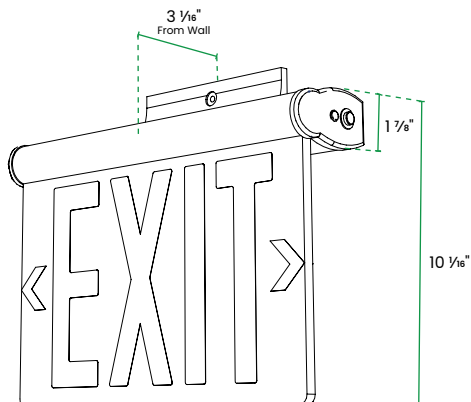
SURFACE END MOUNT



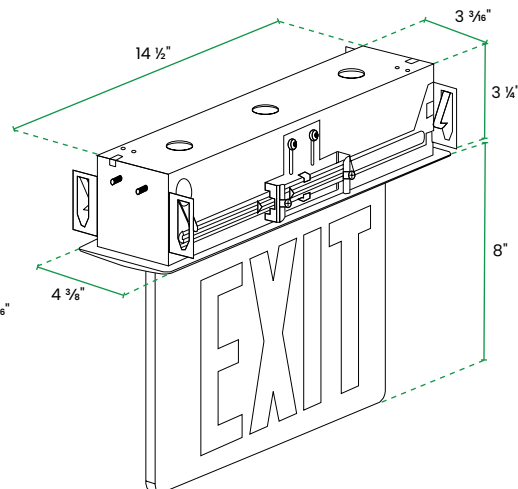
SURFACE CEILING MOUNT



SURFACE WALL MOUNT



RECESSED MOUNT



SELF-TEST DIAGNOSTIC FUNCTIONS

STATUS	LED DISPLAY
GREEN ON	Ready
GREEN BLINKING	Testing
RED FLASH [X1]	Connect Battery
RED FLASH [X2]	Battery Fault
RED FLASH [X3]	Charger Board Fault
RED FLASH [X4]	Transfer System Failure
RED FLASH [X5]	LED Strip Fault (Exit Sign)