

SOVEREIGN II NY

Architectural NYC-Approved Edgelit LED Exit Sign

The Sovereign NYC 8" LED edgelit exit sign combines architectural appeal with superior performance. Its precision die-cast aluminum housing and crystal-clear laser-formed acrylic legend create a sleek "floating" effect. High-efficiency LEDs deliver exit legend luminance 4X the UL requirement with exceptional uniformity. Designed for reliability and ease of installation, the Sovereign is available in cost-effective configurations that blend quality, performance, and aesthetics.



CONSTRUCTION

- Recessed ceiling back box features universal adjustable mounting brackets. Optional old work clips available for installation in existing ceilings
- Full size universal, self-adhesive Chevron arrows with template enable on-site configuration
- Lens Panel is "Last-to-Assemble" snap-in for versatility and ease of installation
- Lens panel can easily be changed from single to double face in the field
- Hinged retaining springs eliminate exposed mounting hardware on recessed model
- SU Surface Universal option allows for field configurable surface mount to a standard j-box, and takes the guess work out of surface mounting applications
- Low profile recessed housing is suitable for old or new work installations and is type IC Rated
- Modular design provides ease of installation and matching configurations
- Quality sealed brushed aluminum finish, white, black, painted brass, painted bronze finishes are available, consult factory for custom finishes
- Contoured, crystal clear laser formed edge lit lens
- Custom legends with white LED light source available to order
- Precision pressure die cast aluminum legend holder, trim and surface mount housing
- Available with a range of information signage or custom graphics to order
- Recessed AC Indicator and Test Switch

ILLUMINATION

- Refractive light guide engineered to optimize LED utilization and illumination uniformity
- Maintenance free LED Light source with 25+ years life expectancy

ELECTRICAL

- Unique electronic driver circuit provides current control and protection ensuring optimum LED efficiency and life
- Available with Master/Remote combinations
- Zero current LVCO ensures positive charge acceptance following extended discharge
- Brownout sensing assures emergency illumination during periods of low line voltage
- All versions feature fully integrated electronic components
- Universal 120/277 VAC field selectable input
- Battery Diagnostic Circuit monitors battery status, detects cell failure and issues alert of reduced capacity and the need to replace battery
- Diagnostic Battery Monitoring on all "EM" models
- Premium long life high temperature rated, fused Nickel Cadmium battery, operating temperature 10° to 40°C
- Average Power Consumption: <3
- Additional power consumption detail in installation guide

CERTIFICATION

- Approved for use in New York City calendar #48851
- UL Listed 3 hour emergency duration standard
- UL 924 Listed by Underwriters Laboratories and meets or exceeds all performance standards as required by NFPA 101, NFPA 70- NEC and OSHA
- Buy American Act compliant

WARRANTY

- 5 year limited warranty - view complete warranty terms online at www.evenlite.com/terms-warranty.

ORDERING GUIDE

SOVII-EM-NR-1C-BA-RC-AR-SD-FT

MODEL	OPERATION	LETTER COLOR	FACE COUNT	HOUSING COLOR	MOUNTING	
SOVII	AC AC Only (120/277 VAC)	8" LEGEND SIZE	STANDARD	STANDARD	STANDARD	OPTIONAL
	EM Battery Backup Emergency	NR Red	1C Single Face, Clear Background	BA Brushed Aluminum	RC Recessed Ceiling	SU Surface Universal
			OPTIONAL	OPTIONAL	SC Surface Ceiling	PA 12" Swivel Pendant
			1M Single Face, Mirror Background	WH White	SW Surface Wall	PB 24" Swivel Pendant
			1W Single Face, White Background	BK Black	SE Surface End	PC 36" Swivel Pendant
			2M Double Face, Mirror Background ¹	BR Brushed Brass Painted		PD 48" Swivel Pendant
2W Double Face, White Background	CC Custom Color (Specify)		PE 60" Swivel Pendant			
				BZ Painted Bronze		PF 72" Swivel Pendant
						MU Mullion Mount (Specify)
SOVII						
CHEVRON ²		OPTIONS			ORDERING NOTES	
UC Adhesive Chevron Arrows ³	DK Two Circuit Input ⁵	FZ [F] Option Including Buzzer ⁶	<ol style="list-style-type: none"> Mirror simulates clear background for double face exits Factory installation of Chevrons is recommended for Double Face Signs Field Installed Double Face units only AC Models only EM Models Only Order separately Consult Factory Flash in Emergency Mode (EM Models) or continuous Flash in AC models (AC or DC) normally-off fire alarm signal available for AC and EM Models No curve on panel bottom Consult factory for full range Use with Mullion Mount Available for AC and EM Models-Remote is Die Cast Exit Razor to match master 			
AR Arrow Right	SD Self-Test/Self-Diagnostics ⁶	DL Damp Location Listed				
AL Arrow Left	IR Self-Diagnostics With Infrared Remote Testing ⁶	FT Flat Trim for Recessed Ceiling Mount				
AA Double Arrow	TLRT Infrared Hand Held Transmitter ⁷	FP Flat Panel ¹⁰				
LR Arrow Left/Arrow Right ⁴	VA Other Output Supply Voltage ⁸	EU Euro Legend ¹²				
	F Flash ⁹	IN Inverted Legend ¹³				
	FA Flash in AC and Emergency Mode on 12-24V ¹⁰	LL High/Low Level Master and Remote ¹⁴				
	FB [FA] Option Including Buzzer ¹⁰					

Fill in fields from categories above and complete type and part number.

Type No: _____ Full Part No: _____

ADDITIONAL IMAGES



SURFACE WALL
White



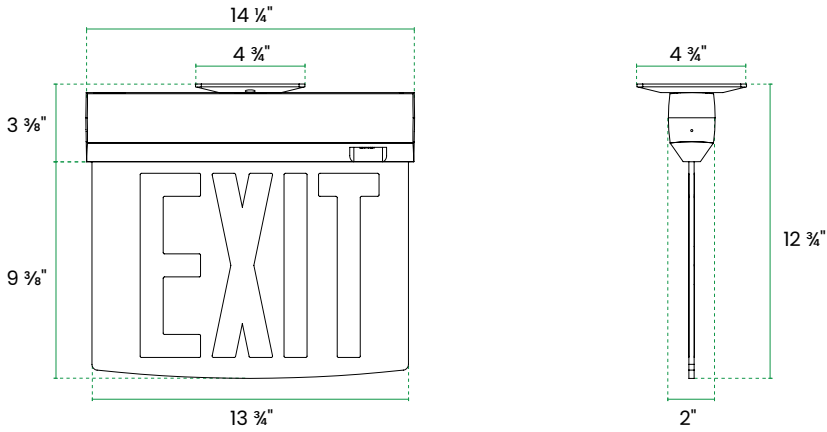
FLAT TRIM FOR RECESSED CEILING MOUNT
Brushed Aluminum



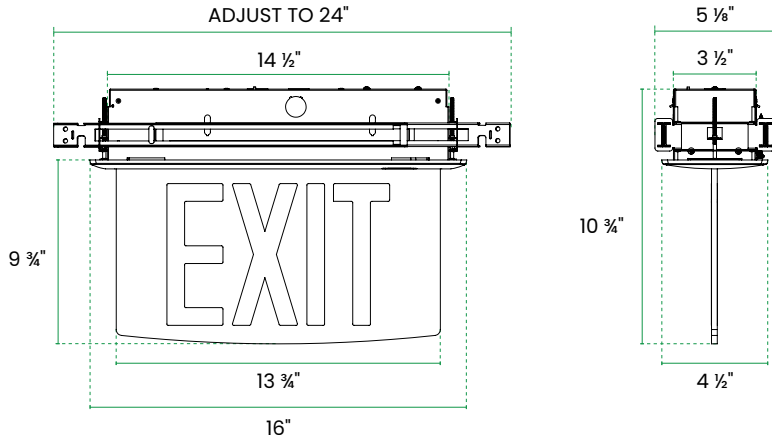
SURFACE CEILING
Black

DIMENSIONS

SURFACE CEILING MOUNT



RECESSED CEILING MOUNT



SURFACE WALL MOUNT

