

Lifeline

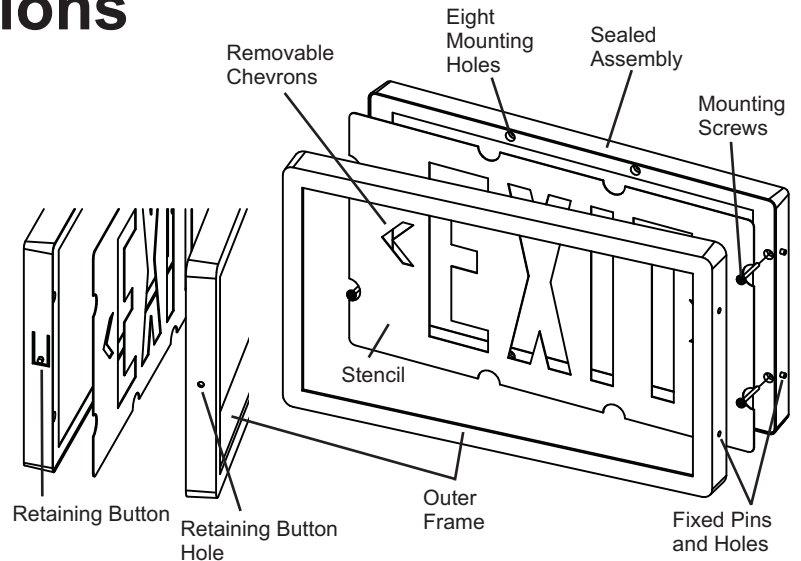
Self-Luminous Exit Signs LEX Series

Installation Instructions

SAVE THESE INSTRUCTIONS

Flush to wall, single face mounting Outer Frame removal and replacement

The sign has eight mounting holes; these are covered by the outer frame. Remove the frame from the assembly by pressing the single Retaining Button in on the left end of sign. Swing frame away from sign until it clears the back. Slide frame to the right to clear the Fixed Pins on the assembly housing. Select the mounting holes which best suit your application and using the screws provided, fix the unit to the wall. Replace the frame by reversing the steps above. Push in Retaining Button on the left end to allow the frame to slide over it.



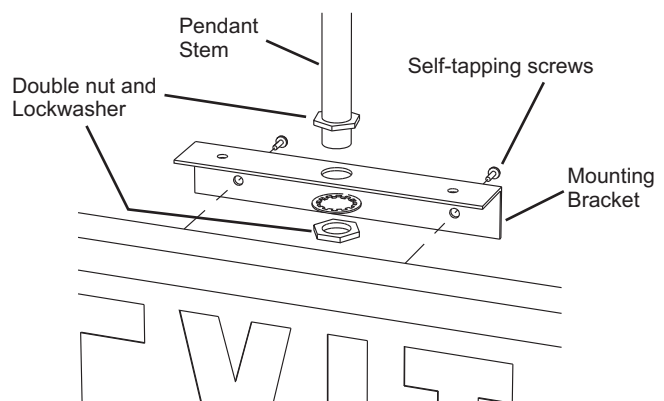
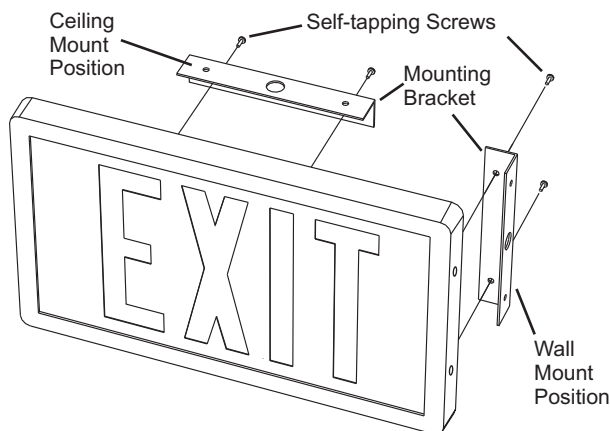
End, ceiling or pendant, single face mounting

The Mounting Bracket provided can be used in several optional positions to allow mounting of the Sealed Assembly from either end, (to stand off the wall), or top, (ceiling mount hanging down), or attached to a Pendant.

For end or ceiling mount, securely fasten Mounting Bracket to wall or ceiling, with the orientation as shown, using appropriate fasteners or black drywall screws provided. Fasten Sealed Assembly to Mounting Bracket using two (2) 3/4" self-tapping screws provided.

For pendant mount, first attach Pendant Stem to Mounting Bracket with double nuts and lockwasher as shown. Fasten Sealed Assembly to Mounting Bracket using two (2) 7/8" self-tapping screws provided.

Punch out appropriate chevron(s) from Stencil. Replace Outer Frame as shown above..



2575 Metropolitan Drive
Trevose, PA 19020
Tel: (800)872 0879 Fax: (215)244 4208
www.evenlite.com

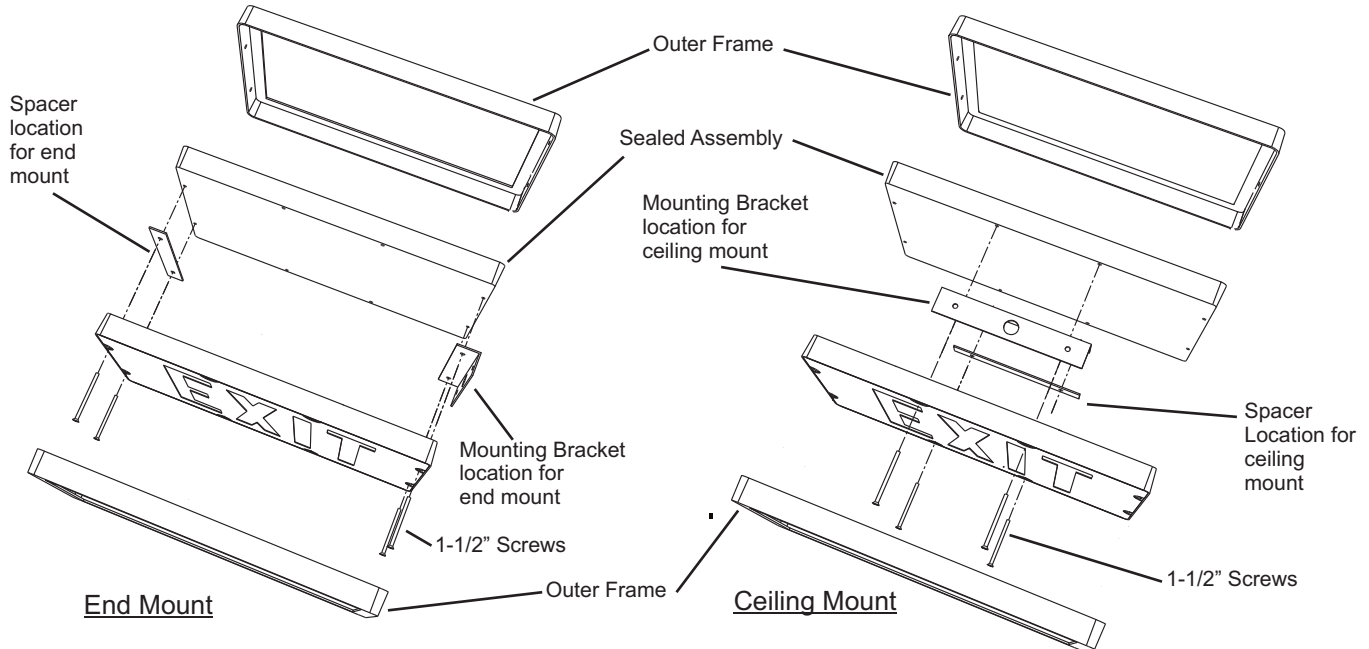
End, ceiling or pendant, double face mounting

For end or ceiling mount, securely fasten Mounting Bracket to wall or ceiling, with orientation as shown, using appropriate fasteners or 7/8" self-tapping screws provided.

Remove Outer Frames from both Sealed Assemblies. Locate Spacer Plate opposite desired position of Mounting Bracket. Fasten Sealed Assemblies together, back-to-back, through Spacer Plate with two (2) of the four (4) 1-1/2" screws.

Insert previously secured Mounting Bracket between Sealed Assemblies, and fasten with remaining two (2) 1-1/2" screws. Check for squareness to wall or ceiling before tightening.

Punch out appropriate chevrons from Stencils. Replace Outer Frames as shown on sheet 1..



For pendant mount, assemble as above, except secure pendant stem to Mounting Bracket, using double nut and lockwasher as shown, before fastening Mounting Bracket to Sealed Assemblies.

