

APERION APR Product Discontinued

Adjustable Recessed Emergency Light

Everything you look for in an emergency light ...and less.

Concealed, recessed, and folded into a housing that's surprisingly compact, there's little to notice about Aperion besides the way it blends into the environment. That's the beauty of it.

But when it comes to the how and why of specifying Aperion, there's a lot to notice, and appreciate. Our unique patented design enables easy installation and exceptional performance.



CONSTRUCTION

- Rotating door is just 4" square
- Unique patented unidirectional deflecting drive band operation provides limited mechanical movement ensuring trouble free operation
- Redundant door positioning ensures reliable operation
- Quality die-cast zinc frame and door, finished in durable textured white powder coat. Can be field painted or wall papered to further blend with the architecture
- Universal, wall or ceiling mount, compact 3" deep, 20 ga. steel recessed housing. Type IC listed, ideal for wall and shallow plenum applications
- Fully adjustable mounting hardware suits virtually all mounting applications
- Soft-close door prevents early lamp failure and movement due to slamming
- Spring latch lamp holders
- Self-adjusting frame trim and door assembly are spring latched with no unsightly external mounting hardware

ILLUMINATION

- Two concealed, fully adjustable swivel & turn 25 watt Superflux MR halogen lamps provide up to 85' spacing on center
- Superflux 25 watt lamps are equal in light output to equivalent 35 watt MR11 Lamps

ADDITIONAL IMAGES



ELECTRICAL

- Battery Monitoring Circuit detects battery failure and pulses indicator to alert the need to replace the battery
- Fully automatic operation
- Choice of maintenance free Sealed Lead Calcium or Nickel Cadmium batteries
- Solid state microprocessor controlled circuitry also includes line latch, brownout protection and reverse polarity protection
- Infrared remote receiver enables remote testing
- with optional transmitter
- Optional hand-held remote transmitter with selectable 30 second or 90 minute discharge testing up to 50' away
- 50 Watt battery capacity for 90 minutes duration
- Soft-start lamp circuit ensures optimum lamp life
- Modular assembly and quick connector wiring provide for fast installation and ease of maintenance
- Field selectable 120 or 277 VAC 60 Hz input. (Consult factory for other input voltages)
- Options include: 15 minute time delay, Damp location, Chicago Plenum approval, and self-test/self-diagnostics

CERTIFICATION

- CSA Canadian Listed and meets CSA 22.2 No. 141-M
- New York City Approved Calendar #48850
- Tested, approved and listed by Underwriters Laboratories Inc. to UL 924, meets NFPA 101 Life Safety Code, NFPA 70-NEC and OSHA requirements
- US Patent #7,654,710

ORDERING GUIDE

APR-25-NC-UI-SD

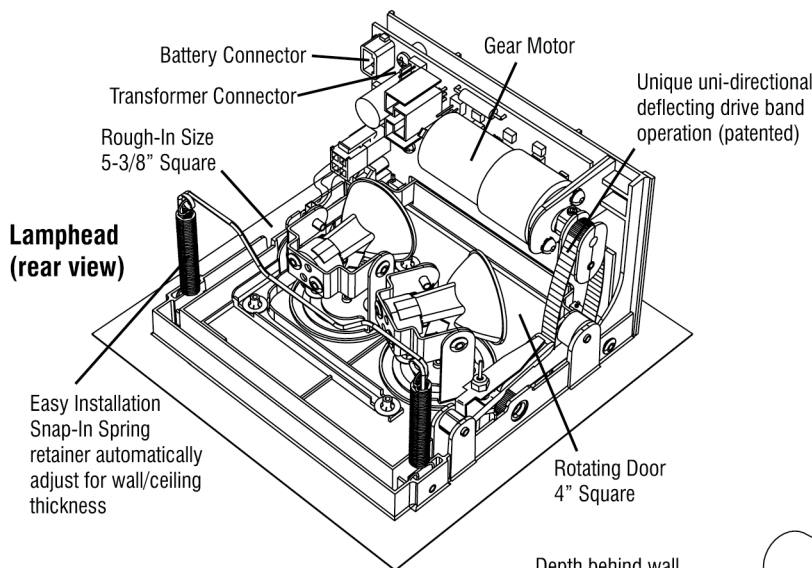
MODEL	LAMP WATTS (UNIT CAPACITY)	BATTERY TYPE	MOUNTING	OPTIONS	ORDERING NOTES
APR	STANDARD	LC Sealed Lead Calcium	UI Back Box and Fixture Shipped Complete	CC Custom Color	1 Order separately (typically only 1 or 2 are required per site)
	25 Superflux 90 min.	NC Nickel Cadmium	UP Back Box Pre-Shipped	CP Chicago Plenum Listed	
	OPTIONAL			DL Damp Location Listed	
	20 Superflux 120 min.			SD Self-Test/Self-Diagnostics	
				TD 15-minute Time Delay	
				TLRT Infrared Remote Testing Transmitter	
APR					

Fill in fields from categories above and complete type and part number.

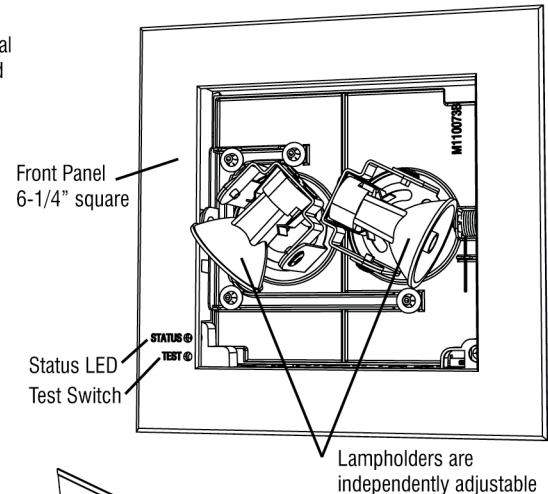
Type No:

Full Part No:

DIMENSIONS



Installed view (Emergency Mode)



TLRT - Infra-Red Remote Testing Transmitter

