

PHOENIX PRI

Indoor LED Remote Head

The Phoenix Remote Indoor PRI LED Lampheads are suitable for any interior applications. Offered with long lasting LED lamps and available in white or black housings.



CONSTRUCTION

- Impact resistant polycarbonate housing
- Traditional design, available in White or Black finish
- Fully adjustable PAR36 Style glare free lampheads with complete lamp, reflector and lens assembly
- Mounting canopy included, mounts to single-gang switch box
- Can be wall or ceiling mounted

ELECTRICAL

- Multi-volt operation allows for 5-15 volt operation from remote DC power source (not provided)
- Distance to remote determined by wire size and total watts on circuit

ILLUMINATION

- Bright long life white LED's 5000K color temperature
- 6.0 Watts per lamphead with 12-LED's provides 650 initial Lumens
- Up to 100' center spacing with a 6-foot path of egress at a 15-foot mounting height

CERTIFICATION

- UL Listed for damp locations 0°C to 50°C
- Meets UL 924, NFPA 101 Life Safety Code, NEC, OSHA, Local and State Codes

WARRANTY

- 5 year limited warranty - view complete warranty terms online at www.evenlite.com/terms-warranty.

ORDERING GUIDE

PRI-LED-2-MV-B

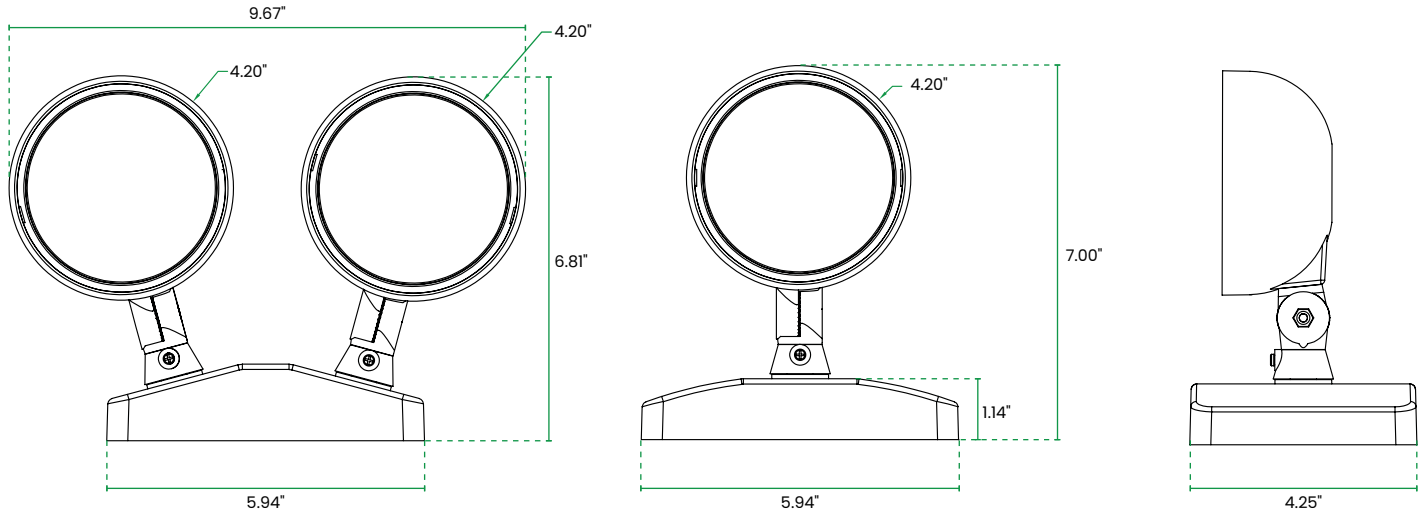
MODEL ¹	LAMP TYPE	NO. OF LAMPHEADS	VOLTAGE	COLOR	ORDERING NOTES
PRI	LED	1 Single Remote	MV For use it 6 and 12 volt units	W White	1 Unit Compatibility: 6 and 12 volt emergency lights
		2 Double Remote		B Black	
PRI	LED		MV		

Fill in fields from categories above and complete type and part number.

Type No:

Full Part No:

DIMENSIONS



ADDITIONAL IMAGERY

