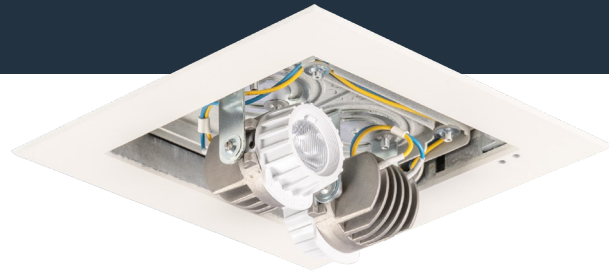


# APERION APAL

## Adjustable Recessed LED Emergency Light

Aperion APAL delivers high-performance emergency lighting in a sleek, compact, and concealed design. Its uniquely adjustable LED lamps independently project elliptical beam patterns, providing optimal light distribution and uniformity along the path of egress. Equipped with long-life, high-output, solid-state LEDs and the included Self-Test / Self-Diagnostics, Aperion combines exceptional illumination with reliable, maintenance-free operation.



### CONSTRUCTION

- Quality die cast aluminum frame and door, finished in durable textured white powder coat. Can be field painted or wall papered to further blend with the architecture.
- Unique non-contact magnetic door positioning ensures accurate and reliable opening and closing
- Rotating door is just 4" square
- Soft-close door prevents lamp movement due to slamming
- Patented unidirectional deflecting drive band operation provides limited mechanical movement ensuring trouble free operation
- Universal wall or ceiling mount, compact 3" deep, 20 ga., steel recessed housing. Type IC listed, ideal for wall and plenum applications.
- Newly designed mounting hardware provides full adjustability and ease of installation in all mounting applications
- Self-adjusting frame trim and door assembly are spring latched with no unsightly external hardware
- Can be mounted up to 47 feet high
- Modular assembly and quick connector wiring provide for fast installation and ease of maintenance

### ELECTRICAL

- Environmentally friendly, maintenance free Nickel Metal Hydride batteries provides standard 2 hour run time
- Solid state microprocessor controlled circuitry includes line latch, battery low voltage cut-off and brownout protection

- Self-Test / Self-Diagnostics are standard and ensure reliability and code conformance
- Optional hand-held remote transmitter with selectable 30 second or 90-minute discharge testing up to 50' away.
- Field selectable 120 or 277 VAC 60 Hz input (consult factory for other input voltages)
- Options include: 15 minute time delay, Chicago Plenum approval, and Defeat monthly Self-Test

### ILLUMINATION

- Two 4.5W white LED lamps provide a total of 814 lumens
- LED lamps provide adjustable beam pattern to illuminate path of egress up to 101 ft spacing on center-ceiling mount; 93 ft spacing on center - wall mount

### CERTIFICATION

- Damp location listed as standard for 10° C to 40° C
- CSA Canadian Listed to CSA 22.2 No. 141-10
- New York City Approved Calendar #48850
- Tested, approved and listed by Underwriters Laboratories Inc. to UL 924, meets NFPA 101 Life Safety Code, NFPA 70-NEC and OSHA Requirements
- California Energy Commission (CEC) Title 20 Compliant
- Buy American Act compliant

### WARRANTY

- 5 year limited warranty - view complete warranty terms online at [www.evenlite.com/terms-warranty](http://www.evenlite.com/terms-warranty).

### ORDERING GUIDE

APAL-WH-UI

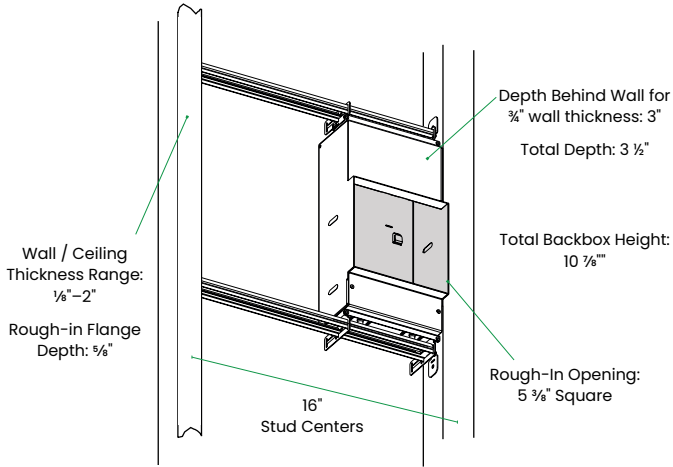
MODEL	HOUSING COLOR	MOUNTING	OPTIONS	ORDERING NOTES
APAL	WH White	UI Back Box and Fixture Shipped Complete	CP Chicago Plenum Listed	1 Order separately (typically only 1 or 2 are required per site)
	BK Black	UP Back Box Pre-Shipped	DD Defeat Monthly Self Test	
	CC Custom Color (Specify)		TD 15-minute Retransfer Delay	
APAL			TLRT Infrared Remote Retransfer Transmitter <sup>1</sup>	

Fill in fields from categories above and complete type and part number.

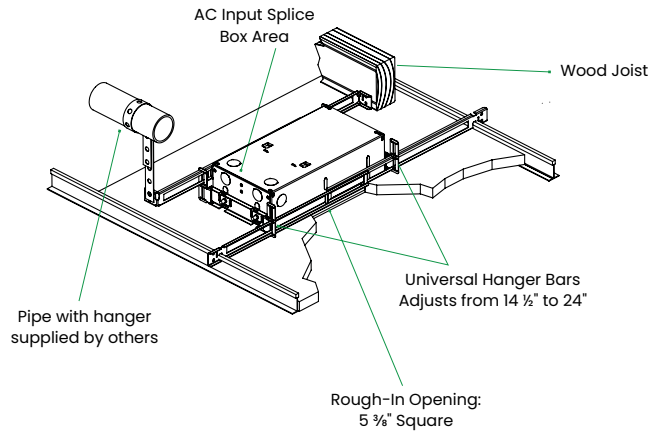
Type No:	Full Part No:
----------	---------------

**DIMENSIONS & MOUNTING DATA**

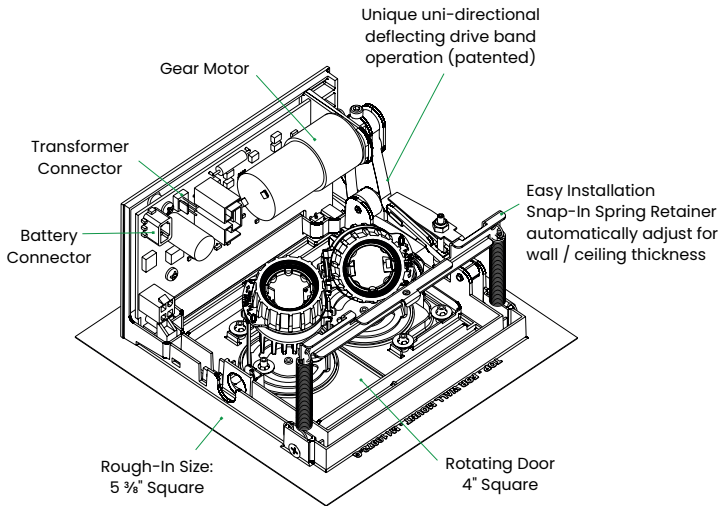
**RECESSED WALL MOUNT**



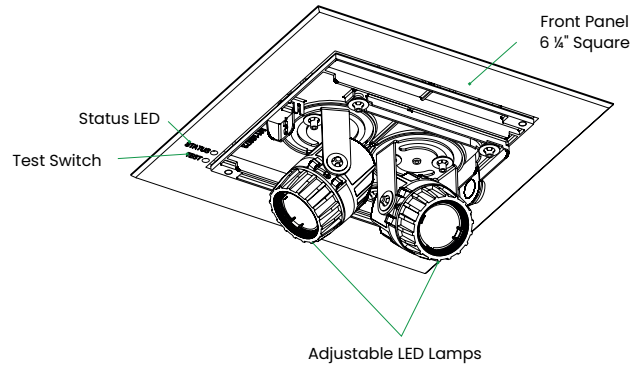
**RECESSED CEILING MOUNT**



**LAMP HEAD (REAR VIEW)**

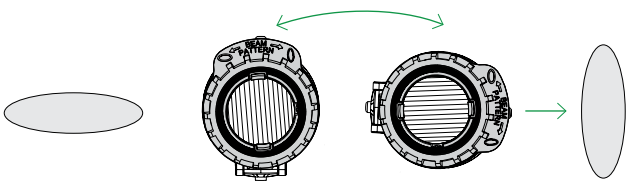


**INSTALLED VIEW (EMERGENCY MODE)**



**LAMP ASSEMBLY**

Rotate lampheads to achieve desired beam pattern



### SPACING GUIDE

#### WALL MOUNT - ENCLOSED CORRIDOR

Room Dimensions: 200' x 6' x Ceiling Height  
 Reflectance: 80% (Ceiling) | 50% (Wall) | 20% (Floor)  
 Path of Egress: 6' Wide

MOUNTING HEIGHT	CEILING HEIGHT	SPACING CENTER TO CENTER	ROTATION*	NFPA 101 REQUIREMENTS		
				AVERAGE $\geq 1.0 F_c$	MINIMUM $\geq 0.1 F_c$	MAXIMUM / MINIMUM $\leq 40:1$
7.5'	9'	86'	61°	1.00 Fc	0.15 Fc	36.00 Fc
9'	11'	84'	53°	1.00 Fc	0.14 Fc	37.36 Fc
10'	12'	84'	49°	1.00 Fc	0.13 Fc	38.08 Fc
12'	14'	82'	42°	1.00 Fc	0.13 Fc	33.69 Fc
14'	16'	80'	35°	1.00 Fc	0.11 Fc	36.55 Fc

\*NOTE Tilted away from the z-axis  
 Pointing 3° away from the wall

#### WALL MOUNT - OPEN ROOM MAXIMUM

Room Dimensions: 200' x 30' High Mounting Wall  
 Reflectance: 0% (Ceiling) | 50% (Wall) | 20% (Floor)  
 Path of Egress: 6' Wide

MOUNTING HEIGHT	CEILING HEIGHT	SPACING CENTER TO CENTER	ROTATION*	NFPA 101 REQUIREMENTS		
				AVERAGE $\geq 1.0 F_c$	MINIMUM $\geq 0.1 F_c$	MAXIMUM / MINIMUM $\leq 40:1$
7.5'	-	74'	58°	1.00 Fc	0.15 Fc	38.93 Fc
9'	-	74'	51°	1.03 Fc	0.14 Fc	38.79 Fc
10'	-	74'	47°	1.02 Fc	0.14 Fc	36.43 Fc
12'	-	74'	40°	1.00 Fc	0.12 Fc	37.42 Fc
14'	-	74'	33°	1.00 Fc	0.11 Fc	37.09 Fc

\*NOTE Tilted away from the z-axis  
 Pointing 3° away from the wall

#### CEILING MOUNT - ENCLOSED CORRIDOR

Room Dimensions: 200' x 15' x Ceiling Height  
 Reflectance: 80% (Ceiling) | 50% (Wall) | 20% (Floor)  
 Path of Egress: 6' Wide

MOUNTING HEIGHT	CEILING HEIGHT	SPACING CENTER TO CENTER	ROTATION*	NFPA 101 REQUIREMENTS		
				AVERAGE $\geq 1.0 F_c$	MINIMUM $\geq 0.1 F_c$	MAXIMUM / MINIMUM $\leq 40:1$
7.5'	7.5'	96'	65°	1.01 Fc	0.12 Fc	38.67 Fc
9'	9'	96'	59°	1.00 Fc	0.12 Fc	35.42 Fc
10'	10'	96'	54°	1.01 Fc	0.11 Fc	38.36 Fc
12'	12'	94'	48°	1.00 Fc	0.11 Fc	33.64 Fc
14'	14'	92'	41°	1.00 Fc	0.10 Fc	34.50 Fc

\*NOTE Tilted away from the z-axis

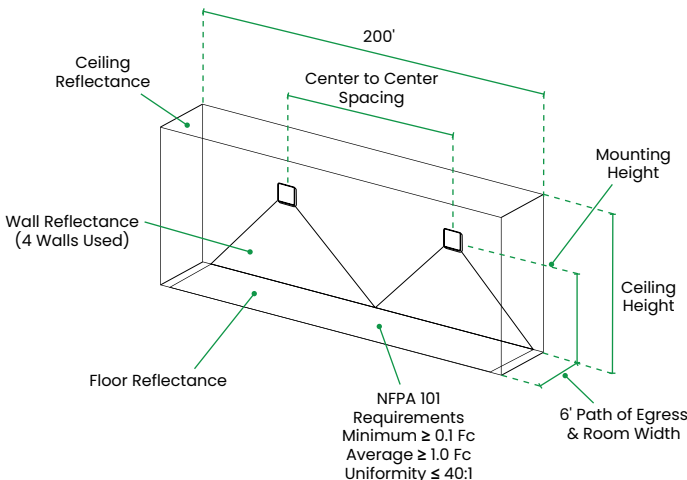
#### CEILING MOUNT - OPEN ROOM MAXIMUM

Room Dimensions: 200' x 30' High Mounting Wall  
 Reflectance: 0% (Ceiling) | 50% (Wall) | 20% (Floor)  
 Path of Egress: 6' Wide

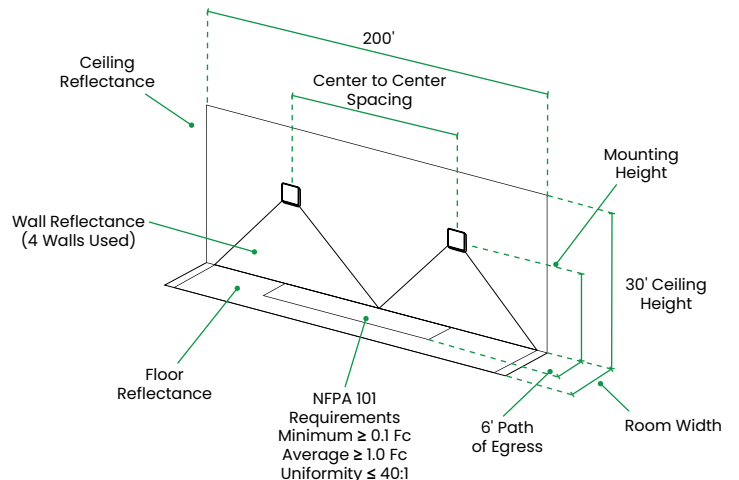
MOUNTING HEIGHT	CEILING HEIGHT	SPACING CENTER TO CENTER	ROTATION*	NFPA 101 REQUIREMENTS		
				AVERAGE $\geq 1.0 F_c$	MINIMUM $\geq 0.1 F_c$	MAXIMUM / MINIMUM $\leq 40:1$
7.5'	-	84'	62°	1.00 Fc	0.13 Fc	37.38 Fc
9'	-	86'	56°	1.00 Fc	0.12 Fc	37.08 Fc
10'	-	86'	52°	1.01 Fc	0.12 Fc	35.42 Fc
12'	-	86'	45°	1.01 Fc	0.11 Fc	34.91 Fc
14'	-	84'	39°	1.01 Fc	0.10 Fc	34.40 Fc

\*NOTE Tilted away from the z-axis

#### ENCLOSED CORRIDOR



#### OPEN ROOM



**ADDITIONAL IMAGERY**



**INSTALLED VIEW**  
*Normal Mode*



**INSTALLED VIEW**  
*Emergency Mode*



**TLRT**  
*Infrared Remote Testing Transmitter*