

# SOVEREIGN

Product Discontinued

## Architectural Edgelit LED Exit Sign

Sovereign LED edgelit exit signs set the standard for architectural appeal; always enhancing their surroundings and pleasing even the most discerning eye. Subtle lines and soft curves create a distinctive “floating” edgelit look. Quality construction includes precision die cast aluminum housings with a unique, crystal clear, laserformed thin acrylic legend. The Sovereign has been designed with the latest high efficiency LED light sources to provide vivid pronouncement of its exit legend with exceptional uniformity and luminance levels – 4X the UL requirement. Engineered for reliability and ease of installation, Sovereign comes in many cost-effective configurations offering superlative quality, performance, and aesthetics.



### CONSTRUCTION

- Recessed ceiling back box features universal adjustable mounting brackets with quick-fit retaining clips to suit most ceiling types
- Full size universal, self-adhesive Chevron arrows with template enable on-site configuration
- Lens Panel is “Last-to-Assemble” snap-in for versatility and ease of installation
- Hinged retaining springs eliminate exposed mounting hardware on recessed model
- Slim line low profile surface mount housing eliminates need for recessing box in wall mount applications
- Low profile recessed housing is suitable for old or new work installations and is type IC Rated
- Modular design provides ease of installation and matching configurations
- Quality brushed aluminum sealed finish is standard, optional White, Black, brushed painted Brass finishes available. Consult factory for custom finishes.
- Contoured, crystal clear laser formed edge lit lens
- Custom legends with white LED light source available to order
- Precision pressure die cast aluminum legend holder, trim and surface mount housing
- Available with a range of information signage or custom graphics to order
- Recessed AC Indicator and Test Switch

### ILLUMINATION

- Refractive light guide engineered to optimize LED utilization and illumination uniformity
- Maintenance free LED Light source with 25+ years life expectancy



### ELECTRICAL

- Unique electronic driver circuit provides current control and protection ensuring optimum LED efficiency and life
- Available with Master/Remote combinations
- Zero current LVCO ensures positive charge acceptance following extended discharge
- Brownout sensing assures emergency illumination during periods of low line voltage
- All versions feature fully integrated electronic components
- Universal 120/277 VAC field selectable input
- Battery Diagnostic Circuit monitors battery status, detects cell failure and issues alert of reduced capacity and the need to replace battery
- Diagnostic Battery Monitoring on all “EM” models
- Premium long life high temperature rated, fused Nickel Cadmium battery, operating temperature 10° to 40°C
- Average Power Consumption: <3W
- Additional power consumption details in installation guide

### CERTIFICATION

- Approved for use in New York City calendar #48851
- UL Listed 3 hour emergency duration standard
- UL 924 Listed by Underwriters Laboratories and meets or exceeds all performance standards as required by NFPA 101, NFPA 70- NEC and OSHA
- California Energy Commission (CEC) Title 20 Compliant

### WARRANTY

- 5 year limited warranty

## ORDERING GUIDE

SOV-EM-R-1C-BA-RC-AR-SD-FT

MODEL	OPERATION	LETTER COLOR	FACE COUNT	HOUSING COLOR	MOUNTING	
SOV	AC AC Only (120/277 VAC)	6" LEGEND SIZE	STANDARD	BA Brushed Aluminum	STANDARD	OPTIONAL
	EM Battery Backup Emergency	R Red	1C Single Face, Clear Background	WH White	RC Recessed Ceiling	MU Mullion Mount <sup>3</sup>
		G Green	OPTIONAL	BK Black	SC Surface Ceiling	PA 12" Swivel Pendant
		8" LEGEND SIZE	1M Single Face, Mirror Background	BR Brush Brash Painted	SW Surface Wall	PB 24" Swivel Pendant
		NR Red	1W Single Face, White Background	CC Custom Color <sup>2</sup>	SE Surface End	PC 36" Swivel Pendant
NG Green	2M Double Face, Mirror Background <sup>1</sup>			PD 48" Swivel Pendant	PE 60" Swivel Pendant	
		2W Double Face, White Background			PF 72" Swivel Pendant	UP Back Box Pre Shipped
SOV						
CHEVRON		OPTIONS			ORDERING NOTES	
UC Adhesive Chevron Arrows <sup>4</sup>	DK Two Circuit Input <sup>6</sup>	FT Flat Trim for Recessed Ceiling Mount	<ol style="list-style-type: none"> <li>Mirror simulates clear background for double face exits</li> <li>Specify preference</li> <li>Please see Mullion Mount Guide for mounting options</li> <li>Field installed</li> <li>Double face units only</li> <li>Specify Input Voltage, AC models only</li> <li>Consult factory</li> <li>Flash in emergency mode (EM models) or continuous flash (AC models)</li> <li>For 12-24V (AC or DC) normally-off fire alarm signal</li> <li>No curve on bottom of face panel</li> <li>EM model only</li> <li>Order separately</li> <li>Remote is Razor MK3 LL model with Security Cover</li> </ol>			
AR Arrow Right	DL Damp Location Listed	IN Inverted Legend For Mullion Mount				
AL Arrow Left	EU Euro Legend <sup>7</sup>	IR Self-Diagnostics with Infrared Remote Testing <sup>11</sup>				
AA Double Arrow	F Flash in Emergency Mode <sup>8</sup>	TLRT Infrared hand held Transmitter <sup>12</sup>				
LR Arrow Left/Arrow Right <sup>5</sup>	FA Flash in AC and Emergency Mode <sup>9</sup>	LL Remote <sup>13</sup>				
	FB [FA] Option Including Buzzer <sup>10</sup>	SD Self-Test/Self-Diagnostic <sup>11</sup>				
	FZ [F] Option Including Buzzer <sup>11</sup>	VA Other Input Supply Voltage <sup>7</sup>				
	FP Flat Panel <sup>12</sup>					

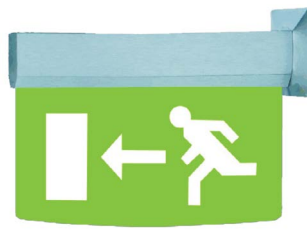
Fill in fields from categories above and complete type and part number.

Type No: \_\_\_\_\_ Full Part No: \_\_\_\_\_

## ADDITIONAL IMAGES



**SURFACE WALL MOUNT**  
White



**SURFACE END MOUNT**  
Brushed Aluminum

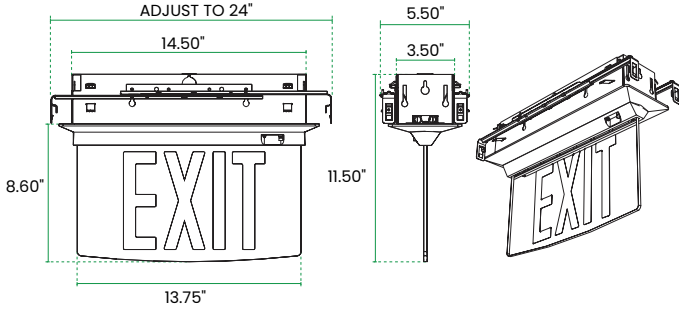


**SURFACE CEILING MOUNT**  
Black

**DIMENSIONS & MOUNTING**

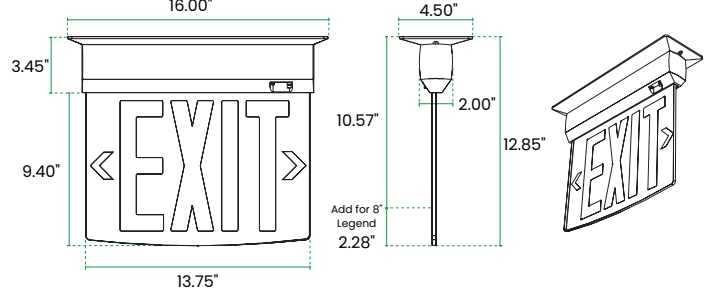
**RECESSED CEILING MOUNT**

14 1/2" x 3 1/2" Cut Out

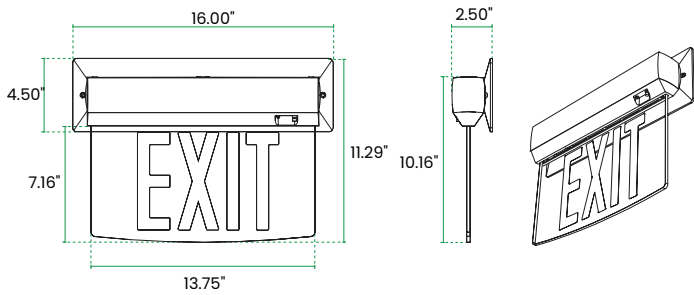


**SURFACE CEILING MOUNT**

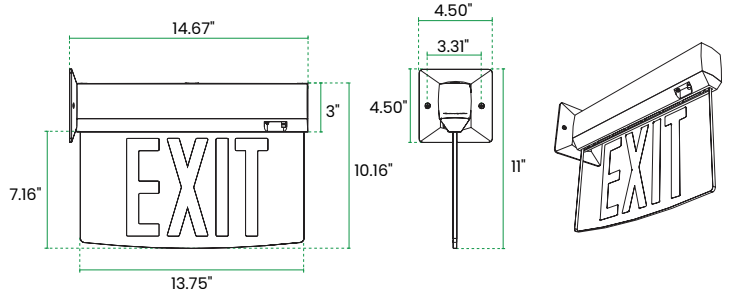
Shown with 8" legend. Available on all models



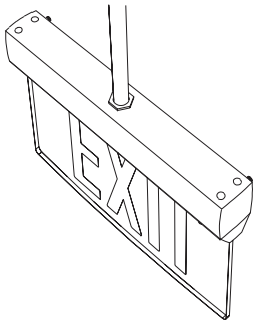
**SURFACE WALL MOUNT**



**SURFACE END MOUNT**



**PENDANT MOUNT**



**MULLION MOUNT WITH INVERTED LEGEND**

