

TUFFLITE TXP

Class 1 Div 2 LED Emergency Light

Tufflite TXP Industrial Class 1 Division 2 emergency lighting units are designed for use in Class 1 Division 2, Groups A, B, C, D applications. The rugged fiberglass NEMA 4X enclosure provides protection for the enclosed equipment against dust, dirt, fibers and dripping water. Class 1 locations are those in which flammable vapors and gasses may be present. Division 2 areas are defined as those areas in which ignitable concentrations of hazards are handled, processed or used, but which are normally in closed containers from which they can only escape through accidental rupture or breakdown of such containers or systems. Gases are grouped according



CONSTRUCTION

- Designed and listed for use in Class 1 Division 2 Groups A, B, C, and D T2B area classification, also suitable for Class I Zone 2, IIA, IIB, IIC, and T1 & T2 area classification
- Rugged molded corrosion resistant fibre-glass housing is provided with stainless steel mounting feet, finished in industrial grey
- A stainless steel breather valve is provided for efficient ventilation of the enclosure
- Fully gasketed to meet the requirements of NEMA 4X applications
- Hinged front access door for ease of maintenance access with stainless steel screws
- External 4 hole mounting provision provides ease of installation with minimal cabinet intrusion

ELECTRICAL

- Fully automatic operation provides 90 minutes or more of emergency lighting
- Premium, fully automatic current limited "Pulse Switching" charger provides ideal charge conditions for optimum battery performance and life
- Choice of maintenance free sealed Lead Calcium or Nickel Cadmium batteries
- Batteries recharge in 24 hours following a 90 minute discharge
- Operating temperature range is 10°C to 40°C
- Short Circuit battery protection
- Field selectable 120 or 277 VAC input
- Magnetic test switch and dual diagnostic LED indicator displays AC and Hi-Charge status

- Brownout sensing assures emergency operation during periods of low line voltage Line-latch prevents unnecessary discharge of battery during installation, loads will not illuminate until after application of utility power
- Low voltage cut-off prevents battery damage and ensures positive charge acceptance following an extended discharge
- Self-Test / Self-Diagnostic monitoring available

ILLUMINATION

- Two fully adjustable, top mounted PAR 36 style lampheads in high impact thermoplastic available with a variety of lamp types and wattage's

CERTIFICATION

- Listed to UL 924, meets NFPA 101 Life Safety Code, NFPA 70-NEC and OSHA requirements
- Buy American Act compliant

WARRANTY

- 3 year limited warranty- view complete warranty terms online at www.evenlite.com/terms-warranty.

ORDERING GUIDE

TXP4E36-2-L126-SD

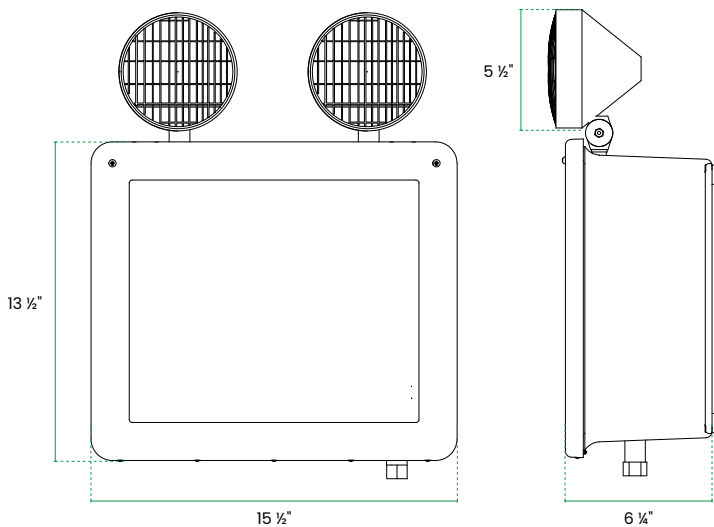
MODEL	OPERATING VOLTAGE / WATTAGE		NO. OF LAMPHEADS	LAMPHEAD OPTIONS ¹
TXP	LEAD CALCIUM BATTERY 90 MINUTE CAPACITY¹		0 No Lampheads 2 Double Lampheads	STANDARD
	NICKEL CADMIUM BATTERY 90 MINUTE CAPACITY			W69 6V 9W Lamp Head W129 12V 9W Lamp Head
	2E36 6 Volt – 36 Watts	2N42 6 Volt – 42 Watts		OPTIONAL
	2E60 6 Volt – 60 Watts	2N54 6 Volt – 54 Watts		L126 12V 6W PAR36 LED Sealed Beam
	2E72 6 Volt – 72 Watts	2N90 6 Volt – 90 Watts		
	2E100 6 Volt – 100 Watts	4N42 12 Volt – 42 Watts		
	2E120 6 Volt – 120 Watts	4N90 12 Volt – 90 Watts		
	4E36 12 Volt – 36 Watts	4N130 12 Volt – 130 Watts		
	4E60 12 Volt – 60 Watts			
	4E120 12 Volt – 120 Watts			
4E140 12 Volt – 140 Watts				
TXP				
OPTIONS			ORDERING NOTES	
SD Self-Test / Self-Diagnostic	SM Side Mounted Heads	<ol style="list-style-type: none"> Total lamp wattage including remotes must not exceed unit 90 minute capacity rating For food prep applications Specify AC voltage Dimensions: 28" x 21" x 10" 		
V Voltmeter	TD Specify 5, 10, or 20 Minute Time Delay			
A Ammeter	TP Tamper Proof Screws ³			
SR Shatter Resistant Lamp Head Shield ²	WG7 Wireguard ⁴			

Fill in fields from categories above and complete type and part number.

Type No:

Full Part No:

DIMENSIONS



SUMMARY OF CLASS I, II, III HAZARDOUS LOCATIONS

CLASSES	GROUPS	DIVISIONS	
		1	2
I Gases, vapors, and liquids (Art. 501)	A: Acetylene B: Hydrogen, etc. C: Ether, etc. D: Hydrocarbons, fuels, solvents, etc.	Normally explosive and hazardous	Not normally present in an explosive concentration (but may accidentally exist)
II Dust (Art. 502)	E: Metal dusts (conductive, and explosive) F: Carbon dusts (some are conductive, and all are explosive) G: Flour, starch, grain, combustible plastic or chemical dust (explosive)	Ignitable quantities of dust normally are or may be in suspension, or conductive dust may be present	Dust not normally suspended in an ignitable concentration (but may accidentally exist). Dust layers are present.
III Fibers and Flyings (Art. 503)	Textiles, wood-working, etc. (easily ignitable, but not likely to be explosive)	Handled or used in manufacturing	Stored or handled in storage (exclusive of manufacturing)

SPACING DIAGRAM

MOUNTING HEIGHT IS 8' REFLECTANCE OF 80-50-20

