

CURVE

Architectural High Performance LED Emergency Light

Curve represents the cutting edge of emergency lighting innovation. With patented concealed LED light sources integrated seamlessly into its elegant, curved housing, Curve achieves a sleek, understated design. Adjustable light sources optimize illumination without compromising its minimalist aesthetic. Offered in 9-watt and 16-watt models, Curve stands out with custom-designed optics, delivering maximum spacing up to 135 feet and exceptional uniformity at a 6:1 ratio. Ideal for retail, office, and institutional spaces, Curve redefines emergency lighting by blending safety, performance, and design—lighting the path to a safer tomorrow.



CONSTRUCTION

- Impact resistant, 5VA flame rated injection molded ABS thermoplastic in white or black finish
- High performance die-cast and extruded - aluminum LED heat sinks provide optimal LED operation and life
- Snap lock latches and retaining hinges provide tool-less ease of installation
- Universal field selectable back plate knock-out mounting pattern, or optional top feed conduit entry
- Modular assembly and quick connector wiring provide for fast installation and ease of maintenance
- Aimable heads and custom design lens optic for optimal light distribution
- Maximum Mounting height of up to 28 feet for 16 W model and 21 feet for 9 W model

ELECTRICAL

- Field selectable 120 or 277 VAC Input
- Curve 9 features a 3.6-volt high temperature, long life, maintenance free Nickel Metal Hydride (NiMH) battery with environmentally friendly end of life cycling.
- Curve 16 features a 9.6-volt high temperature long life, high capacity, maintenance free lithium iron phosphate (LiFeP04) battery with environmentally friendly end of life cycling.
- Subtle, flush and easily accessible dual purpose Test Switch and Status indicator
- Zero current LVCO ensures positive charge acceptance following an extended battery discharge
- Surge, overload and short circuit protection with battery line latch
- Brownout sensing assures emergency illumination during periods of low line voltage
- Self-Test / Self-Diagnostics are included as standard alleviating the need for manual testing maintenance. The unit performs a 30 second monthly and 90 minute annual test while continuously monitoring critical functions to ensure reliability. Manual tests may be initiated by pressing the test switch or IR remote at any time.

- Curve 16 also features a field-selectable 5W, 9.6V remote capacity option. The Curve 16 is provided as standard with remote leads, if a suitable remote load (see Evenlite Lamp Head options) is connected the Curve automatically reduces the integral lampheads to 10W (1190 unit lumen total). The Self-Diagnostics feature automatically calibrates to the changed loads. See web site for 10W unit spacing chart.
- Optional hand-held remote transmitter with selectable 30-second or 90-minute discharge testing up to 50' away

ILLUMINATION

- Curve 9W features two high performances 4.5W LED Lamps, each producing 425 lumens (850 lumen unit total)
- Curve 16W features 2 x 3 lens, 8W lamp arrays, each producing 840 lumens (1680 lumen unit total)
- Lampheads can be tilted down to 20° to accommodate various mounting heights (see installation instructions) and rotated out up to 90° forward away from the wall
- Center to center corridor spacing for the 9W up to 85ft see page 2 for spacing charts for corridors and open areas
- Center to center corridor spacing for the 16W up to 135ft, see page 2 for spacing charts for corridors and open areas

CERTIFICATION

- Tested, Approved, and cUL Listed by Underwriters Laboratories Inc. in compliance with UL924, and Canadian CSA-C22.2 No. 141-15
- Listed for Damp location 10°C to 40°C
- Meets or exceeds NFPA 101 Life Safety Code, NFPA 70-NEC and OSHA requirements
- California Title 20 Certified
- U.S. Patent Protected No's: 11,181,254. D927,033. D927,034. D927,035
- Buy American Act compliant

WARRANTY

- 5 year fixture warranty - view complete warranty terms online at www.evenlite.com/terms-warranty.
- 5 year battery limited warranty

ORDERING GUIDE

CRV-9-WH

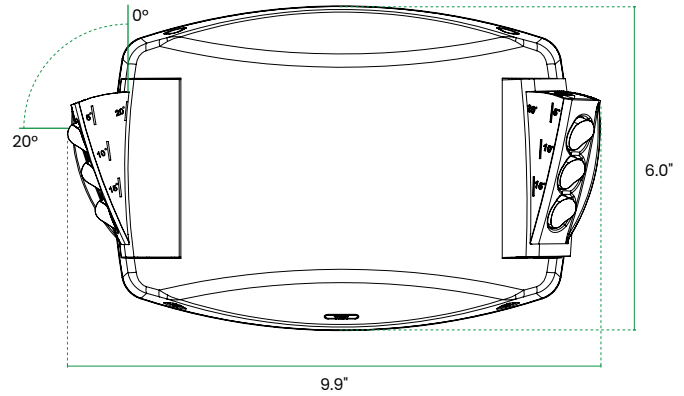
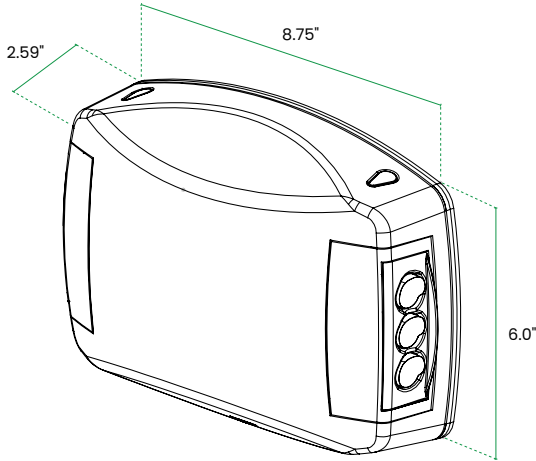
MODEL	WATTAGE	HOUSING COLOR	OPTIONS	ORDERING NOTES
CRV	9 9-Watt System	WH White	TD 15 Minute Retransfer Delay	1 Order separately
	16 16-Watt System	BK Black	DD Defeat Monthly Diagnostic Test	
CRV			TLRT Infrared Remote Testing Transmitter ¹	

Fill in fields from categories above and complete type and part number.

Type No:

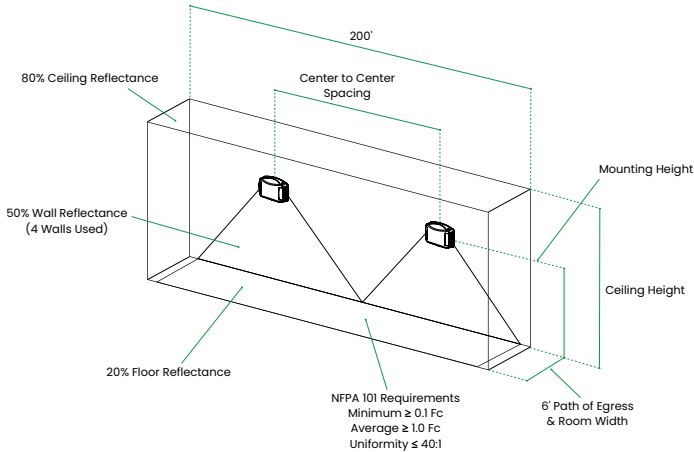
Full Part No:

DIMENSIONS

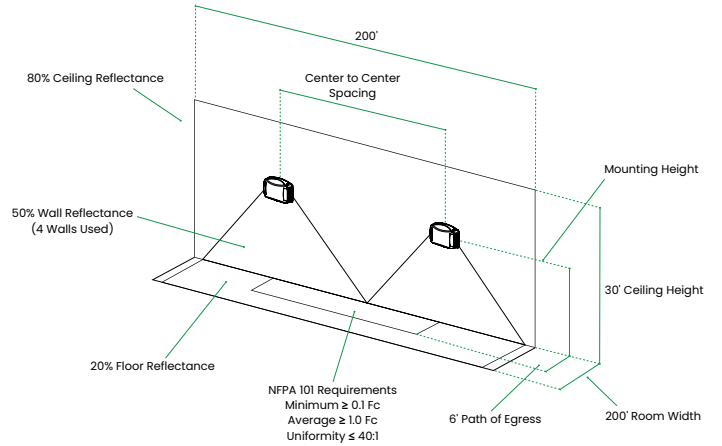


CENTER TO CENTER SPACING

ENCLOSED CORRIDOR



OPEN ROOM



SPACING GUIDELINES - PATH OF EGRESS

9W - 850 LUMENS - MULTIPLE LUMINAIRE

6ft Wide Enclosed Corridor

MOUNTING HEIGHT	CEILING HEIGHT	TILT	SPACING CENTER TO CENTER	AVERAGE ≥ 1.0 Fc	MINIMUM ≥ 0.1 Fc	MAXIMUM / MINIMUM ≤ 40:1
7.5'	9'	0°	85'	1.00 Fc	0.32 Fc	5.72
9'	11'	5°	85'	1.00 Fc	0.29 Fc	6.21
10'	12'	10°	87'	1.02 Fc	0.15 Fc	15.47
12'	14'	15°	83'	1.02 Fc	0.12 Fc	20.08
14'	16'	20°	79'	1.02 Fc	0.10 Fc	25.20
16'	18'	20°	71'	1.00 Fc	0.41 Fc	4.78

16W - 1680 LUMENS - MULTIPLE LUMINAIRE

6ft Wide Enclosed Corridor

MOUNTING HEIGHT	CEILING HEIGHT	TILT	SPACING CENTER TO CENTER	AVERAGE ≥ 1.0 Fc	MINIMUM ≥ 0.1 Fc	MAXIMUM / MINIMUM ≤ 40:1
7.5'	9'	0°	135'	1.21 Fc	0.10 Fc	35.70
9'	11'	5°	121'	1.34 Fc	0.10 Fc	35.90
10'	12'	5°	129'	1.15 Fc	0.10 Fc	29.70
12'	14'	5°	125'	1.00 Fc	0.18 Fc	11.67
14'	16'	10°	124'	1.00 Fc	0.12 Fc	20.00
16'	18'	15°	115'	1.05 Fc	0.10 Fc	26.90

9W - 850 LUMENS - MULTIPLE LUMINAIRE

Open Room (200ft x 200ft x 30ft)

MOUNTING HEIGHT	TILT	SPACING CENTER TO CENTER	AVERAGE ≥ 1.0 Fc	MINIMUM ≥ 0.1 Fc	MAX / MIN ≤ 40:1
7.5'	0°	65'	1.00 Fc	0.12 Fc	13.25
9'	10°	79'	1.01 Fc	0.13 Fc	20.00
10'	10°	73'	1.00 Fc	0.22 Fc	9.50
12'	15°	69'	1.02 Fc	0.23 Fc	9.52
14'	20°	67'	1.01 Fc	0.25 Fc	9.20
16'	20°	59'	1.00 Fc	0.19 Fc	9.84
18'	20°	51'	1.01 Fc	0.17 Fc	13.76
20'	20°	44'	1.00 Fc	0.25 Fc	7.72

16W - 1680 LUMENS - MULTIPLE LUMINAIRE

Open Room (200ft x 200ft x 30ft)

MOUNTING HEIGHT	TILT	SPACING CENTER TO CENTER	AVERAGE ≥ 1.0 Fc	MINIMUM ≥ 0.1 Fc	MAX / MIN ≤ 40:1
7.5'	0°	122'	1.00 Fc	0.12 Fc	23.25
9'	5°	117'	1.09 Fc	0.10 Fc	30.80
10'	5°	114'	1.00 Fc	0.15 Fc	16.47
12'	10°	111'	1.01 Fc	0.10 Fc	27.60
14'	15°	99'	1.11 Fc	0.11 Fc	27.55
16'	15°	94'	1.00 Fc	0.17 Fc	13.59
18'	20°	94'	1.00 Fc	0.16 Fc	15.94
20'	20°	83'	1.00 Fc	0.18 Fc	11.67
22'	20°	74'	1.00 Fc	0.16 Fc	13.31
24'	20°	66'	1.00 Fc	0.15 Fc	17.07
26'	20°	57'	1.01 Fc	0.22 Fc	9.27