

SENTRY CUSTOM GRAPHICS

Product Discontinued

Die-Cast LED Custom-Wording Sign

The Sentry Series Die Cast Aluminum Custom Graphic sign offers architectural quality with a long-life, low-energy LED light source illuminating a custom-stenciled polycarbonate lens. The open-face design allows for any custom wording, while the stenciled legend ensures high contrast and uniform visibility. Ideal for hospitals, schools, and public buildings, it offers a range of options, including battery backup, fire alarm interface, and flasher, to enhance versatility for various applications.



CONSTRUCTION

- Maintenance free LED light source with 25+ years life expectancy
- Uniform vivid legend illumination available with Red, Green, Blue or White LED light source
- Silver-White opaque stencil background is standard
- Custom colors are available to order
- Spectrally matched Fluorescent diffuser for superior visual brightness and legend uniformity
- Self-Diagnostic Battery monitoring on all 'EM' models
- Two piece thick wall construction housing from heavy-duty die cast aluminum alloy, removable front face with overlapping light seal
- Fine grain brushed aluminum trim standard. Other finishes available
- Wide selection of standard legends available, custom legends available to order
- Hidden knock out access points and universal pattern
- Low profile universal canopy with cast 3/4" nipple and locking nuts
- Optional recessing frame, polycarbonate face shield with tamper proof access screws, pendant & specialty mounts

ELECTRICAL

- High intensity LED array provides exceptional energy efficiency with just 1-watt power consumption for both single and double face AC models.
- Battery backup models consume just 2.5 watts, .77 power factor
- 4 Hour battery backup runtime with Premium long life high temperature fused nickel cadmium battery pack
- 120 or 277 VAC field selectable input with quick install push wire connectors
- Circuitry includes - Zero current LVCO, Brownout sensing & Line-Latch
- Electronic control circuit applies full wave, low ripple current to each LED thereby optimizing life and light output.
- A diagnostic self-compensating constant current charger circuit monitors the condition of the battery pack and indicates via a flashing LED to replace the battery
- Remote capable to power a remote exit only

CERTIFICATION

- California Energy Commission (CEC) Title 20 Compliant
- Buy American Act compliant

WARRANTY

- 5 year limited warranty - view complete warranty terms online at www.evenlite.com/terms-warranty.

ORDERING GUIDE

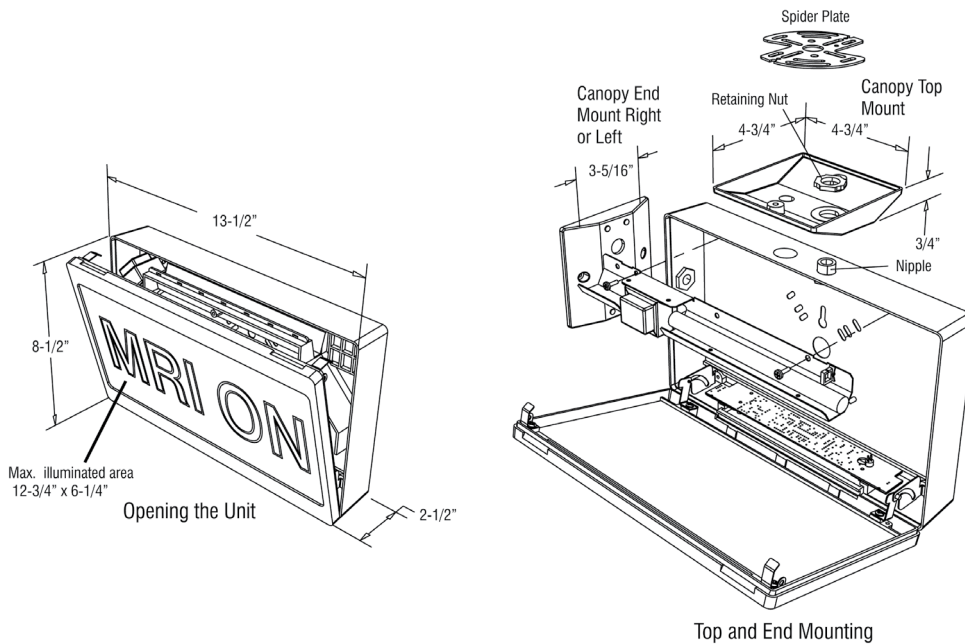
DCG-AC-1-BB-1B-AR-GN-BK

MODEL	OPERATION	FACE COUNT	BODY COLOR	MOUNTING	CUSTOM GRAPHICS
DCG	AC AC Only (120/277 VAC)	1 Single Face	AB Brushed Face, Black Body	1B Back Mount	01 X-Ray In Use ³
	EM Battery Backup Emergency	2 Double Face	BB All Black WW All White AA All Brushed Aluminum AW Brushed Aluminum, White Body CC Custom Color ¹	CN Canopy Mounting Kit ² RE Recessing Frame PA 12" Swivel Pendant Mount PB 24" Swivel Pendant Mount PC 36" Swivel Pendant Mount PD 48" Swivel Pendant Mount	C Custom Letter AR Right AL Left CG Custom Graphics ¹
DCG					
LETTER COLOR	BACKGROUND COLOR	OPTIONS			ORDERING NOTES
RD Red	W White	LL High/Low Level Master/Remote ^{4,5}	ORDERING NOTES 1 Specify preference 2 Universal End/Ceiling 3 See page 3 for more options 4 Remote is Back Mount (1B) with recessing from 5 AC & EM models 6 EM models only 7 For 12-24V (AC or DC) normally-off fire alarm signal 8 AC models only 9 Includes tamper proof screws (TP) NOTE: For signs requiring directional indicators, select C custom letter and specify graphic with chevron direction.		
GN Green	BK Black	DL Damp Location			
BL Blue	BL Blue	F Flash in Emergency Mode ⁶			
W White	C Custom Color ¹	FA Flash in AC and Emergency Mode ⁷			
C Custom Color ¹		FB [FA] Option Including Buzzer			
		FZ [F] Option Including Buzzer			
		DK Dual Circuit Input, 120V or 277V ⁸			
		SD Self-Test/Self-Diagnostics ⁶			
		PC1 1/8" PC Faceplate ⁵			
		TP Tamper Proof Screws			
		IR Self-Diagnostics With Infrared Remote Testing ⁶			
		TLRT Infrared Hand Held Transmitter			
		RE Recessing Frame			

Fill in fields from categories above and complete type and part number.

Type No: _____ Full Part No: _____

DIMENSIONS



CUSTOM GRAPHICS

