

TELESIS TCX1COM

Commercial Grade Thermoplastic LED Combo Exit Sign

Telesis TCX1 Combined LED Exit and LED emergency light provides the reliability of LED's in both the exit sign and the emergency heads.

The 0.8 watt LED lamps provide 100 lumens each for superior spacing performance. The exit legend is illuminated with long life high brightness red or green LED's.



CONSTRUCTION

- Compact low profile design provides the required 90 minutes of emergency operation
- Injection molded flame retardant, high impact thermoplastic housing in White or Black (optional)
- Universal mounting canopy included for ceiling mounting, universal single or double face
- Snap together, quick fit installation with field selectable chevron directional indicators

ELECTRICAL

- Long Life, High Intensity LED Array available in red or green with 6" letter and 3/4" stroke
- Maintenance free Ni-Cad batteries, operating temperature range 10°C to 40°C
- Field Selectable 120 or 277 VAC input
- Test switch and AC indicator light provided for ease of testing
- Fully automatic, solid state two rate charger will recharge battery per UL 924 requirements
- Solid state transfer relay for reliability
- Line latch prevents unnecessary discharge of battery during installation, loads will not illuminate until after application of power

ILLUMINATION

- Two fully adjustable high brightness 0.8 watt LED heads each producing 100 Lumens for optimum spacing and distribution

CERTIFICATION

- Suitable for use in damp locations
- UL 924 listed and meets NFPA 101 Life Safety Code, NFPA 70-NEC and OSHA requirements
- CEC Title 20 Compliant

WARRANTY

- 3 year fixture limited warranty - view complete warranty terms online at www.evenlite.com/terms-warranty.

ORDERING GUIDE

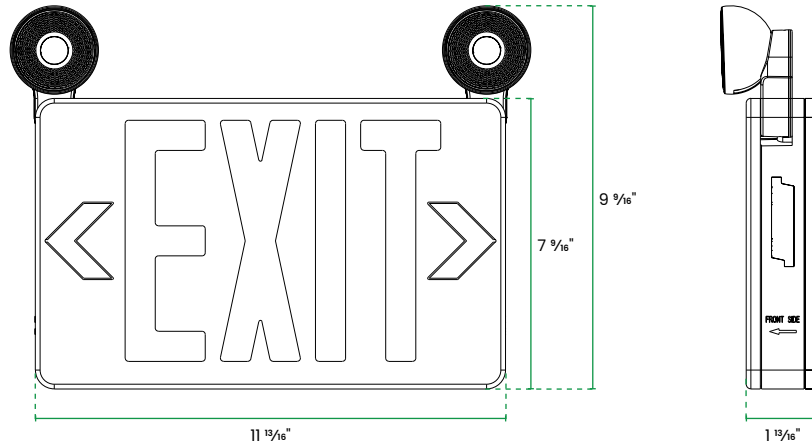
EXAMPLE: TCX1COM-RU-W

| MODEL | LETTER COLOR | NUMBER OF FACES | HOUSING COLOR | OPTIONS | ORDERING NOTES |
|---------|--------------|--|--------------------|---------------------------------|------------------------------------|
| TCX1COM | R Red LED | U Single/Double Face (Universal Mount) | W White (standard) | M990005 Wire Guard ¹ | 1 Dimensions: 13.75" x 15.25" x 6" |
| | G Green LED | | | | |
| TCX1COM | | U | | | |

Fill in fields from categories above and complete type and part number.

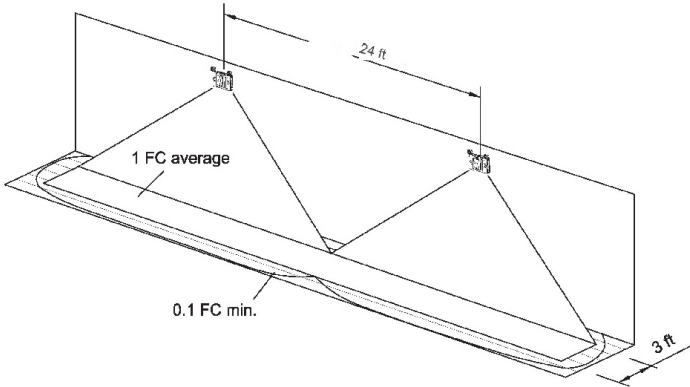
| | |
|----------|---------------|
| Type No: | Full Part No: |
|----------|---------------|

DIMENSIONS



CENTER-TO-CENTER SPACING

Mounting height is 8' reflectance of 80-50-20



ADDITIONAL IMAGES



White Finish, Green Letter