

# EVOLVE REMOTE HEAD

## High Performance Industrial Remote Head

Introducing the **Evolve Remote Heads**, an evolution of our groundbreaking Evolve emergency lighting platform. Engineered with the same commitment to innovation, performance, and design excellence. **Built on the trusted foundation of the Evolve series**, the Remote Heads extend its capabilities as companion fixtures powered by a compatible base unit.

Crafted from precision die-cast aluminum, the EVO-R features a sleek, low-profile design available in multiple premium finishes to complement any architectural or industrial environment. Engineered for reliability, they deliver dependable illumination through high-performance LED lampheads available with either one or two lampheads in 4W, 8W, or 16W configurations, providing consistent output that matches their base emergency light counterparts.

With 360° swivel adjustment and field-selectable optics, the EVO-R adapts effortlessly to each unique application delivering light exactly where it's needed most. Optional



NEMA 4X construction ensures resilience in demanding environments, offering protection against water, dust, and corrosion.

The EVO-R represents the culmination of continuous refinement and thoughtful innovation. Every detail reflects our commitment to progress, delivering a solution that's as reliable as it is forward-thinking, setting a new benchmark for performance and design.

### CONSTRUCTION

- Engineered from impact-resistant, reinforced die-cast aluminum with a high-performance powder-coated finish for unmatched durability.
- Available in White, Bronze, Brown, Black, and Gray to seamlessly integrate into various architectural and industrial environments.
- Built for reliability in the toughest conditions, the wet location (-WL) option extends protection to extreme outdoor environments with full NEMA 4X certification.
- Can be configured with one or two lampheads, providing dependable emergency power at 9.6 VDC in 16W, 32W or 64W in 4, 8, and 16-watt sizes, precisely color-matched to the housing for a cohesive and professional appearance.
- 360° swivel lampheads feature slide-to-adjust zoom optics (60° range), allowing quick field configuration from narrow to wide flood and delivering optimal illumination for every application.
- A clear, impact-resistant acrylic lens shields LEDs from environmental damage, prevents yellowing and ensures long-lasting clarity and performance.
- Flush Back Mount (option -BM): Designed with an industry-first interlocking cleat mechanism that aligns the mounting plate and electrical connection with the unit for precise installation and long-term structural integrity. A discreet underside set screw locks the unit securely, ensuring a professional, watertight installation.

### ELECTRICAL

- Suitable for use in temperature range of -40°C to 40°C

### LUMENS PER HEAD

BEAM TYPE	WATTAGE	LUMENS
Flood	4	547
Wide	4	579
Flood	8	947
Wide	8	1000
Flood	16	1463
Wide	16	1535

### CERTIFICATION

- Tested and Listed by Underwriters Laboratories in compliance with UL924 & Canadian CSA-C22.2 No.141-15
- Meets or exceeds all performance standards as required by NFPA 101 Life Safety Code, NEC-70 and OSH
- IP65 Certified by NTS
- NEMA 4X Certified

### WARRANTY

- 5 year limited warranty - view complete warranty terms online at [www.evenlite.com/terms-warranty](http://www.evenlite.com/terms-warranty).

## ORDERING GUIDE

Example: EVO-R-WH-2-L8

MODEL	BODY COLOR	NO. OF HEADS	HEAD WATTAGE	OPTIONS
EVO-R	<b>WH</b> White	<b>1</b> One Heads	<b>L4</b> 4 Watt Heads	<b>WL</b> NEMA 4X Wet Location
	<b>BK</b> Black <i>Coming Soon</i>	<b>2</b> Two Heads	<b>L8</b> 8 Watt Heads	
	<b>BZ</b> Bronze <i>Coming Soon</i>		<b>L16</b> 16 Watt Heads	
	<b>GY</b> Gray			
EVO-R				

Fill in fields from categories above and complete type and part number.

Type No:

Full Part No:

**NOTE:** See EVO specification sheet to order the emergency light.

## ADDITIONAL IMAGES



TWO LAMP REMOTE HEAD  
White



TWO LAMP REMOTE HEAD  
Black



TWO LAMP REMOTE HEAD  
Bronze



TWO LAMP REMOTE HEAD  
Gray



ONE LAMP REMOTE HEAD  
White



ONE LAMP REMOTE HEAD  
Black



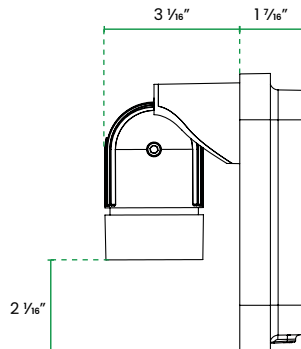
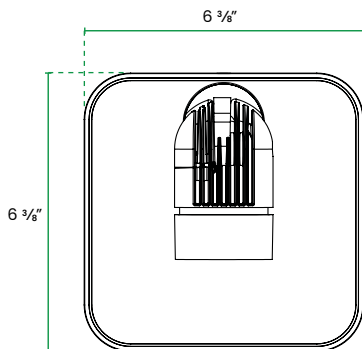
ONE LAMP REMOTE HEAD  
Bronze



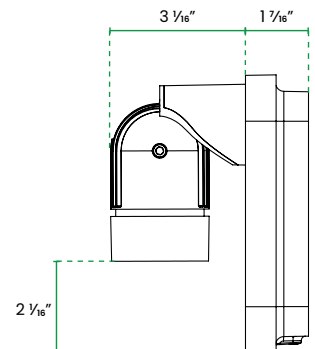
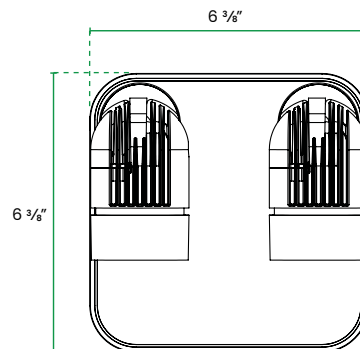
ONE LAMP REMOTE HEAD  
Gray

## DIMENSIONS

### 1 LAMP

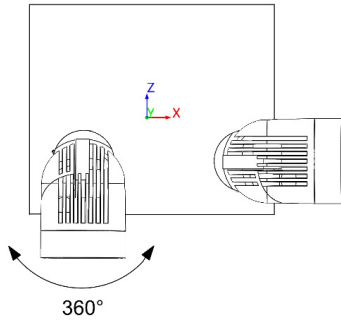


### 2 LAMPS

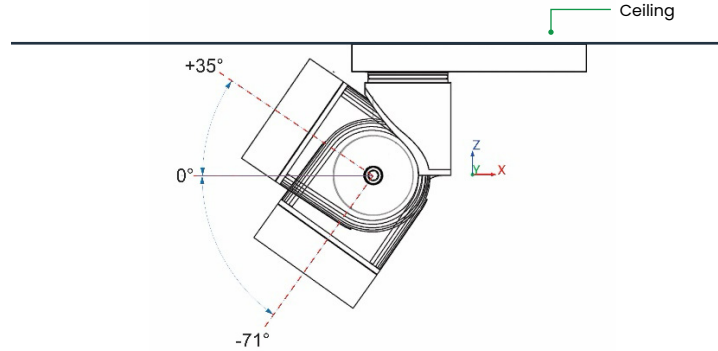


## LAMPHEAD ADJUSTABILITY

### WALL MOUNT Remote Head

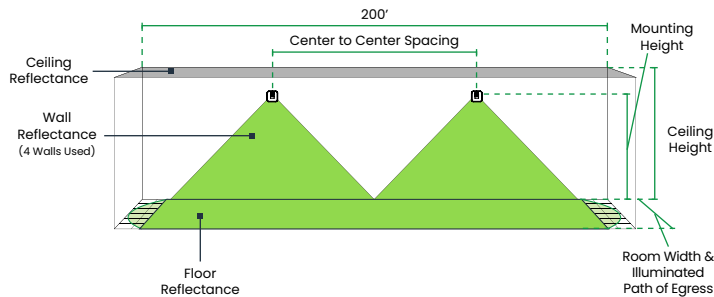


### CEILING MOUNT Remote Head

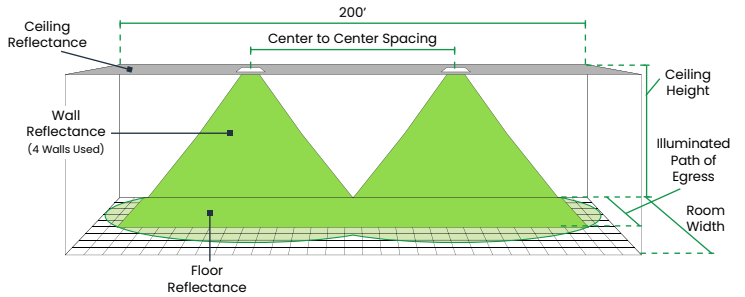


## SPACING DIAGRAMS

### WALL MOUNT - OPEN ROOM



### CEILING MOUNT - OPEN ROOM



## SPACING GUIDE

### EVO-R-L04 WALL MOUNT (FLOOD BEAM)

Room Type: Enclosed Corridor  
 Room Dimensions: 200' x 6' x Ceiling Height  
 Ceiling/Wall/Floor Reflectance: 80% | 50% | 20%  
 Path of Egress: 6' Wide

MOUNTING HEIGHT (FT)	CEILING HEIGHT (FT)	SPACING CENTER TO CENTER (FT)	ROTATION <sup>1</sup>	NFPA 101 REQUIREMENTS		
				AVERAGE (≥ 1.0 FC)	MINIMUM (≥ 0.1 FC)	MAXIMUM / MINIMUM (≤ 40:1)
7.5	9	111	71	1.01	0.12	31.33
9	11	109	67	1.01	0.11	35.64
10	12	107	65	1.01	0.11	34.73
12	14	103	61	1.00	0.11	33.82
14	16	99	57	1.01	0.12	30.75

#### NOTES

- Tilted away from the z-axis
- Pointing 5° away from the wall

### EVO-R-L04 WALL MOUNT (WIDE BEAM)

Room Type: Enclosed Corridor  
 Room Dimensions: 200' x 6' x Ceiling Height  
 Ceiling/Wall/Floor Reflectance: 80% | 50% | 20%  
 Path of Egress: 6' Wide

MOUNTING HEIGHT (FT)	CEILING HEIGHT (FT)	SPACING CENTER TO CENTER (FT)	ROTATION <sup>1</sup>	NFPA 101 REQUIREMENTS		
				AVERAGE (≥ 1.0 FC)	MINIMUM (≥ 0.1 FC)	MAXIMUM / MINIMUM (≤ 40:1)
7.5	9	101	66	1.00	0.11	37.45
9	11	97	60	1.01	0.11	36.00
10	12	95	57	1.01	0.11	34.09
12	14	91	51 <sup>2</sup>	1.00	0.11	30.91
14	16	87	46 <sup>3</sup>	1.00	0.11	27.73

#### NOTES

- Tilted away from the z-axis
- Pointing 5° away from the wall
- Lampheads have to be mounted on the bottom

## SPACING GUIDE

### EVO-R-L04 WALL MOUNT (FLOOD BEAM)

Room Type: Open Corridor  
 Room Dimensions: 200' long x 30' high mounting wall x 6' wide egress path  
 Ceiling/Wall/Floor Reflectance: 0% | 50% | 20%  
 Path of Egress: 6' Wide

MOUNTING HEIGHT (FT)	CEILING HEIGHT (FT)	SPACING CENTER TO CENTER (FT)	ROTATION <sup>1</sup>	NFPA 101 REQUIREMENTS		
				AVERAGE (≥ 1.0 FC)	MINIMUM (≥ 0.1 FC)	MAXIMUM / MINIMUM (≤ 40:1)
7.5	N/A	91	71	1.00	0.12	29.08
9	N/A	91	67	1.01	0.12	30.67
10	N/A	95	63	1.00	0.11	39.09
12	N/A	91	59	1.01	0.11	37.45
16	N/A	87	53 <sup>3</sup>	1.00	0.1 <sup>4</sup>	40.00

#### NOTES

1. Tilted away from the z-axis
2. Pointing 5° away from the wall
3. Lamphoods have to be mounted on the bottom
4. Had to use 1 decimal point

### EVO-R-L04 CEILING MOUNT (FLOOD BEAM)

Room Type: Enclosed Corridor  
 Room Dimensions: 200' x 15' x Ceiling Height  
 Ceiling/Wall/Floor Reflectance: 80% | 50% | 20%  
 Path of Egress: 6' Wide

MOUNTING HEIGHT (FT)	CEILING HEIGHT (FT)	SPACING CENTER TO CENTER (FT)	ROTATION <sup>1</sup>	NFPA 101 REQUIREMENTS		
				AVERAGE (≥ 1.0 FC)	MINIMUM (≥ 0.1 FC)	MAXIMUM / MINIMUM (≤ 40:1)
7.5	7.5	118	71	1.01	0.11	33.18
9	9	116	69	1.00	0.11	32.09
10	10	114	66	1.02	0.10	37.70
12	12	110	62	1.00	0.10	36.70
14	14	106	58	1.00	0.10	36.30

#### NOTES

1. Tilted away from the z-axis
2. Pointing 5° away from the wall

### EVO-R-L08 WALL MOUNT (FLOOD BEAM)

Room Type: Enclosed Corridor  
 Room Dimensions: 200' x 6' x Ceiling Height  
 Ceiling/Wall/Floor Reflectance: 80% | 50% | 20%  
 Path of Egress: 6' Wide

MOUNTING HEIGHT (FT)	CEILING HEIGHT (FT)	SPACING CENTER TO CENTER (FT)	ROTATION <sup>1</sup>	NFPA 101 REQUIREMENTS		
				AVERAGE (≥ 1.0 FC)	MINIMUM (≥ 0.1 FC)	MAXIMUM / MINIMUM (≤ 40:1)
7.5	9	165	77	1.03	0.10	34.10
9	11	161	74	1.02	0.10	33.80
10	12	157	72	1.03	0.10	34.20
12	14	153	69	1.01	0.10	32.60
14	16	149	66	1.00	0.11	29.00

#### NOTES

1. Tilted away from the z-axis
2. Pointing 5° away from the wall

### EVO-R-L04 WALL MOUNT (WIDE BEAM)

Room Type: Open Corridor  
 Room Dimensions: 200' long x 30' high mounting wall x 6' wide egress path  
 Ceiling/Wall/Floor Reflectance: 0% | 50% | 20%  
 Path of Egress: 6' Wide

MOUNTING HEIGHT (FT)	CEILING HEIGHT (FT)	SPACING CENTER TO CENTER (FT)	ROTATION <sup>1</sup>	NFPA 101 REQUIREMENTS		
				AVERAGE (≥ 1.0 FC)	MINIMUM (≥ 0.1 FC)	MAXIMUM / MINIMUM (≤ 40:1)
7.5	N/A	83	62	1.01	0.13	35.54
9	N/A	83	57	1.00	0.12	34.83
10	N/A	81	54 <sup>3</sup>	1.00	0.12	32.42
12	N/A	77	48 <sup>3</sup>	1.02	0.12	28.92
16	N/A	73	36 <sup>3</sup>	1.02	0.11	25.73

#### NOTES

1. Tilted away from the z-axis
2. Pointing 5° away from the wall
3. Lamphoods have to be mounted on the bottom

### EVO-R-L04 CEILING MOUNT (WIDE BEAM)

Room Type: Enclosed Corridor  
 Room Dimensions: 200' x 15' x Ceiling Height  
 Ceiling/Wall/Floor Reflectance: 80% | 50% | 20%  
 Path of Egress: 6' Wide

MOUNTING HEIGHT (FT)	CEILING HEIGHT (FT)	SPACING CENTER TO CENTER (FT)	ROTATION <sup>1</sup>	NFPA 101 REQUIREMENTS		
				AVERAGE (≥ 1.0 FC)	MINIMUM (≥ 0.1 FC)	MAXIMUM / MINIMUM (≤ 40:1)
8	8	107	67	1.01	0.10	39.20
9	9	105	63	1.01	0.10	38.50
10	10	101	60	1.02	0.11	33.00
12	12	97	54	1.00	0.11	30.27
14	14	93	48	1.00	0.10	30.90

#### NOTES

1. Tilted away from the z-axis
2. Pointing 5° away from the wall

### EVO-R-L08 WALL MOUNT (WIDE BEAM)

Room Type: Enclosed Corridor  
 Room Dimensions: 200' x 6' x Ceiling Height  
 Ceiling/Wall/Floor Reflectance: 80% | 50% | 20%  
 Path of Egress: 6' Wide

MOUNTING HEIGHT (FT)	CEILING HEIGHT (FT)	SPACING CENTER TO CENTER (FT)	ROTATION <sup>1</sup>	NFPA 101 REQUIREMENTS		
				AVERAGE (≥ 1.0 FC)	MINIMUM (≥ 0.1 FC)	MAXIMUM / MINIMUM (≤ 40:1)
7.5	9	141	77	1.00	0.10	36.80
9	11	139	71	1.01	0.10	37.80
10	12	135	67	1.04	0.10	38.80
12	14	133	62	1.01	0.10	36.00
14	16	129	57	1.00	0.10	34.10

#### NOTES

1. Tilted away from the z-axis
2. Pointing 5° away from the wall
3. Lamphoods have to be mounted on the bottom

## SPACING GUIDE (CONTINUED)

### EVO-R-L08 WALL MOUNT (FLOOD BEAM)

Room Type: Open Corridor  
 Room Dimensions: 200' long x 30' high mounting wall x 6' wide egress path  
 Ceiling/Wall/Floor Reflectance: 0% | 50% | 20%  
 Path of Egress: 6' Wide

MOUNTING HEIGHT (FT)	CEILING HEIGHT (FT)	SPACING CENTER TO CENTER (FT)	ROTATION <sup>1</sup>	NFPA 101 REQUIREMENTS		
				AVERAGE (≥ 1.0 FC)	MINIMUM (≥ 0.1 FC)	MAXIMUM / MINIMUM (≤ 40:1)
7.5	N/A	137	74	1.04	0.11	38.91
9	N/A	137	72	1.01	0.11	34.18
10	N/A	137	70	1.00	0.11	34.45
12	N/A	133	67	1.00	0.12	29.83
16	N/A	129	60	1.00	0.10	37.10
20	N/A	121	54 <sup>2</sup>	1.02	0.1 <sup>4</sup>	36.50

#### NOTES

1. Tilted away from the z-axis
2. Pointing 5° away from the wall
3. Lamphoods have to be mounted on the bottom
4. Had to use 1 decimal point

### EVO-R-L08 CEILING MOUNT (FLOOD BEAM)

Room Type: Enclosed Corridor  
 Room Dimensions: 200' x 15' x Ceiling Height  
 Ceiling/Wall/Floor Reflectance: 80% | 50% | 20%  
 Path of Egress: 6' Wide

MOUNTING HEIGHT (FT)	CEILING HEIGHT (FT)	SPACING CENTER TO CENTER (FT)	ROTATION <sup>1</sup>	NFPA 101 REQUIREMENTS		
				AVERAGE (≥ 1.0 FC)	MINIMUM (≥ 0.1 FC)	MAXIMUM / MINIMUM (≤ 40:1)
7.5	7.5	181	78	1.01	0.10	30.60
9	9	177	76	1.00	0.10	30.30
10	10	169	74	1.00	0.11	27.64
12	12	163	70	1.00	0.10	31.80
14	14	153	67	1.00	0.11	28.00

#### NOTES

1. Tilted away from the z-axis
2. Pointing 5° away from the wall

### EVO-R-L16 WALL MOUNT (FLOOD BEAM)

Room Type: Enclosed Corridor  
 Room Dimensions: 200' x 6' x Ceiling Height  
 Ceiling/Wall/Floor Reflectance: 80% | 50% | 20%  
 Path of Egress: 6' Wide

MOUNTING HEIGHT (FT)	CEILING HEIGHT (FT)	SPACING CENTER TO CENTER (FT)	ROTATION <sup>1</sup>	NFPA 101 REQUIREMENTS		
				AVERAGE (≥ 1.0 FC)	MINIMUM (≥ 0.1 FC)	MAXIMUM / MINIMUM (≤ 40:1)
7.5	9	200	80	1.14	0.11	33.82
9	11	200	79	1.03	0.13	23.08
10	12	200	77	1.02	0.12	25.75
12	14	199	74	1.00	0.11	27.73
14	16	197	72	1.14	0.12	24.50

#### NOTES

1. Tilted away from the z-axis
2. Pointing 5° away from the wall

### EVO-R-L08 WALL MOUNT (WIDE BEAM)

Room Type: Open Corridor  
 Room Dimensions: 200' long x 30' high mounting wall x 6' wide egress path  
 Ceiling/Wall/Floor Reflectance: 0% | 50% | 20%  
 Path of Egress: 6' Wide

MOUNTING HEIGHT (FT)	CEILING HEIGHT (FT)	SPACING CENTER TO CENTER (FT)	ROTATION <sup>1</sup>	NFPA 101 REQUIREMENTS		
				AVERAGE (≥ 1.0 FC)	MINIMUM (≥ 0.1 FC)	MAXIMUM / MINIMUM (≤ 40:1)
7.5	N/A	113	70	1.03	0.12	39.67
9	N/A	115	66	1.01	0.12	35.75
10	N/A	115	63	1.00	0.11	37.82
12	N/A	115	57	1.00	0.10	40.00
16	N/A	107	48 <sup>3</sup>	1.01	0.10	33.30
20	N/A	99	40 <sup>3</sup>	1.00	0.11	25.18

#### NOTES

1. Tilted away from the z-axis
2. Pointing 5° away from the wall
3. Lamphoods have to be mounted on the bottom

### EVO-R-L08 CEILING MOUNT (WIDE BEAM)

Room Type: Enclosed Corridor  
 Room Dimensions: 200' x 15' x Ceiling Height  
 Ceiling/Wall/Floor Reflectance: 80% | 50% | 20%  
 Path of Egress: 6' Wide

MOUNTING HEIGHT (FT)	CEILING HEIGHT (FT)	SPACING CENTER TO CENTER (FT)	ROTATION <sup>1</sup>	NFPA 101 REQUIREMENTS		
				AVERAGE (≥ 1.0 FC)	MINIMUM (≥ 0.1 FC)	MAXIMUM / MINIMUM (≤ 40:1)
7.5	7.5	145	81	1.02	0.10	31.20
9	9	143	75	1.03	0.10	34.90
10	10	143	72	1.00	0.11	30.73
12	12	139	65	1.00	0.11	31.45
14	14	131	59	1.03	0.11	30.82

#### NOTES

1. Tilted away from the z-axis
2. Pointing 5° away from the wall

### EVO-R-L16 WALL MOUNT (WIDE BEAM)

Room Type: Enclosed Corridor  
 Room Dimensions: 200' x 6' x Ceiling Height  
 Ceiling/Wall/Floor Reflectance: 80% | 50% | 20%  
 Path of Egress: 6' Wide

MOUNTING HEIGHT (FT)	CEILING HEIGHT (FT)	SPACING CENTER TO CENTER (FT)	ROTATION <sup>1</sup>	NFPA 101 REQUIREMENTS		
				AVERAGE (≥ 1.0 FC)	MINIMUM (≥ 0.1 FC)	MAXIMUM / MINIMUM (≤ 40:1)
7.5	9	163	85	1.17	0.10	37.50
9	11	169	83	1.01	0.10	29.60
10	12	169	79	1.01	0.11	27.73
12	14	169	72	1.00	0.11	29.55
14	16	169	66	1.01	0.11	30.91

#### NOTES

1. Tilted away from the z-axis
2. Pointing 5° away from the wall

## SPACING GUIDE (CONTINUED)

### EVO-R-L16 WALL MOUNT (FLOOD BEAM)

Room Type: Open Corridor  
 Room Dimensions: 200' long x 30' high mounting wall x 6' wide egress path  
 Ceiling/Wall/Floor Reflectance: 0% | 50% | 20%  
 Path of Egress: 6' Wide

MOUNTING HEIGHT (FT)	CEILING HEIGHT (FT)	SPACING CENTER TO CENTER (FT)	ROTATION <sup>1</sup>	NFPA 101 REQUIREMENTS		
				AVERAGE (≥ 1.0 FC)	MINIMUM (≥ 0.1 FC)	MAXIMUM / MINIMUM (≤ 40:1)
7.5	N/A	179	78	1.02	0.10	39.40
9	N/A	177	76	1.01	0.11	32.45
10	N/A	177	74	1.02	0.10	37.20
12	N/A	173	71	1.03	0.11	33.27
16	N/A	167	66	1.00	0.11	31.18
20	N/A	161	60	1.02	0.10	36.50
24	N/A	151	55	1.04	0.1 <sup>3</sup>	36.00

#### NOTES

1. Tilted away from the z-axis
2. Pointing 5° away from the wall
3. Lamphoods have to be mounted on the bottom
4. Had to use 1 decimal point

### EVO-R-L16 CEILING MOUNT (FLOOD BEAM)

Room Type: Enclosed Corridor  
 Room Dimensions: 200' x 15' x Ceiling Height  
 Ceiling/Wall/Floor Reflectance: 80% | 50% | 20%  
 Path of Egress: 6' Wide

MOUNTING HEIGHT (FT)	CEILING HEIGHT (FT)	SPACING CENTER TO CENTER (FT)	ROTATION <sup>1</sup>	NFPA 101 REQUIREMENTS		
				AVERAGE (≥ 1.0 FC)	MINIMUM (≥ 0.1 FC)	MAXIMUM / MINIMUM (≤ 40:1)
7.5	7.5	200	83	1.08	0.18	14.83
9	9	200	81	1.06	0.17	15.53
10	10	200	79	1.05	0.17	15.82
12	12	200	75	1.04	0.14	20.86
14	14	200	71	1.03	0.11	29.55

#### NOTES

1. Tilted away from the z-axis
2. Pointing 5° away from the wall

## LUMENS PER HEAD

BEAM TYPE	WATTAGE	LUMENS
Flood	4	547
Wide	4	579
Flood	8	947
Wide	8	1000
Flood	16	1463
Wide	16	1535

### EVO-R-L16 WALL MOUNT (WIDE BEAM)

Room Type: Open Corridor  
 Room Dimensions: 200' long x 30' high mounting wall x 6' wide egress path  
 Ceiling/Wall/Floor Reflectance: 0% | 50% | 20%  
 Path of Egress: 6' Wide

MOUNTING HEIGHT (FT)	CEILING HEIGHT (FT)	SPACING CENTER TO CENTER (FT)	ROTATION <sup>1</sup>	NFPA 101 REQUIREMENTS		
				AVERAGE (≥ 1.0 FC)	MINIMUM (≥ 0.1 FC)	MAXIMUM / MINIMUM (≤ 40:1)
7.5	N/A	137	76	1.04	0.12	38.67
9	N/A	143	72	1.01	0.12	36.33
10	N/A	143	69	1.02	0.12	36.25
12	N/A	143	64	1.03	0.11	37.55
16	N/A	139	56	1.01	0.11	32.36
20	N/A	131	48 <sup>3</sup>	1.02	0.11	29.09
24	N/A	125	41 <sup>3</sup>	1.01	0.10	28.20

#### NOTES

1. Tilted away from the z-axis
2. Pointing 5° away from the wall
3. Lamphoods have to be mounted on the bottom

### EVO-R-L16 CEILING MOUNT (WIDE BEAM)

Room Type: Enclosed Corridor  
 Room Dimensions: 200' x 15' x Ceiling Height  
 Ceiling/Wall/Floor Reflectance: 80% | 50% | 20%  
 Path of Egress: 6' Wide

MOUNTING HEIGHT (FT)	CEILING HEIGHT (FT)	SPACING CENTER TO CENTER (FT)	ROTATION <sup>1</sup>	NFPA 101 REQUIREMENTS		
				AVERAGE (≥ 1.0 FC)	MINIMUM (≥ 0.1 FC)	MAXIMUM / MINIMUM (≤ 40:1)
7.5	7.5	151	83	1.47	0.13	38.85
9	9	161	83	1.23	0.11	39.18
10	10	173	80	1.12	0.10	35.50
12	12	173	76	1.03	0.11	26.82
14	14	173	70	1.00	0.12	25.25

#### NOTES

1. Tilted away from the z-axis
2. Pointing 5° away from the wall

## SPACING GUIDE (CONTINUED)

### EVO-R-L16 CEILING MOUNT (FLOOD BEAM)

Room Type: Enclosed Corridor

Room Dimensions: 200' x 15' x Ceiling Height

Ceiling/Wall/Floor Reflectance: 80% | 50% | 20%

Path of Egress: 6' Wide

MOUNTING HEIGHT (FT)	CEILING HEIGHT (FT)	SPACING CENTER TO CENTER (FT)	ROTATION <sup>1</sup>	NFPA 101 REQUIREMENTS		
				AVERAGE (≥ 1.0 FC)	MINIMUM (≥ 0.1 FC)	MAXIMUM / MINIMUM (≤ 40:1)
7.5	7.5	200	83	1.08	0.18	14.83
9	9	200	81	1.06	0.17	15.53
10	10	200	79	1.05	0.17	15.82
12	12	200	75	1.04	0.14	20.86
14	14	200	71	1.03	0.11	29.55

#### NOTES

1. Tilted away from the z-axis
2. Pointing 5° away from the wall

### EVO-R-L16 CEILING MOUNT (WIDE BEAM)

Room Type: Enclosed Corridor

Room Dimensions: 200' x 15' x Ceiling Height

Ceiling/Wall/Floor Reflectance: 80% | 50% | 20%

Path of Egress: 6' Wide

MOUNTING HEIGHT (FT)	CEILING HEIGHT (FT)	SPACING CENTER TO CENTER (FT)	ROTATION <sup>1</sup>	NFPA 101 REQUIREMENTS		
				AVERAGE (≥ 1.0 FC)	MINIMUM (≥ 0.1 FC)	MAXIMUM / MINIMUM (≤ 40:1)
7.5	7.5	151	83	1.47	0.13	38.85
9	9	161	83	1.23	0.11	39.18
10	10	173	80	1.12	0.10	35.50
12	12	173	76	1.03	0.11	26.82
14	14	173	70	1.00	0.12	25.25

#### NOTES

1. Tilted away from the z-axis
2. Pointing 5° away from the wall