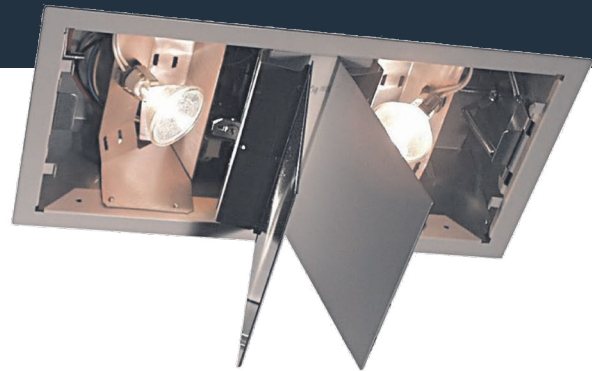


# MIRRORLITE

## Architectural Recessed MR16 Emergency Light

Recently updated and enhanced, Mirrorlite combines sleek design with reliable performance. This recessed emergency light remains hidden during normal lighting conditions, seamlessly blending into its surroundings. Upon the loss of AC power, the Mirrorlite doors open to project high-powered MR16 halogen lamps, illuminating the exit path with precision. Once power is restored, the doors quietly close, returning to their concealed position. Mirrorlite is ideal for indoor spaces where architectural aesthetics and dependable safety are paramount.



### CONSTRUCTION

- Continuous cam, precision motor drive. No gears, cogs, limit switches or sensitive solenoid settings to jam or seize
- Doors are factory set for optimum performance but can be individually field adjusted to suit any application
- Finished in durable light textured off-white powder coat which can be wall papered or field painted. Custom finishes available to order
- Soft-close doors prevent early lamp failure due to door slamming
- Suitable for mounting heights up to 50', dependent upon lamp wattage selected
- Fully automatic operation suitable for wall or ceiling mount installation
- Compact, one-size recessed housing is provided with fully adjustable mounting hardware to suit virtually all mounting applications
- Self-adjusting frame trim and door assembly with no external mounting hardware
- Modular assembly and quick connector wiring provides for fast installation and ease of maintenance

### ELECTRICAL

- Solid state microprocessor controlled circuitry includes line latch, brown out and battery LVCO
- Extended run times or remote capacity available
- Computerized electronic circuitry with self-test and self-diagnostics included as standard in all units
- Field selectable 120 or 277 VAC 60 Hz input. Consult factory for other input voltages
- Automatic, discreet monthly self-testing. Self-diagnostics monitors lamp load, transfer circuit, battery capacity, door operation and motor drive
- Soft-start lamp circuit ensuring extended lamp life
- Choice of Lead Calcium or Nickel Cadmium batteries in unit capacities up to 150 watts

### ILLUMINATION

- MR16 long life halogen lamps available up to 75 watts each
- Up to 150' (spacing dependent upon lamp selected and field conditions)
- Four selectable lamp positions for each lamp takes the guess work out of lamp aiming and assures optimum light distribution
- New optics optimize light pattern to improve uniformity and spacing

### CERTIFICATION

- Approved for use in New York City Calendar #48849 tested, approved and listed by Underwriters Laboratories Inc. to UL 924, meets NFPA 101 Life Safety Code, NFPA 70-NEC and OSHA requirements
- Optional infrared remote transmitter with selectable 30 second or 90 minute duration tests
- Buy American Act compliant

### WARRANTY

- 3 year limited warranty- view complete warranty terms online at [www.evenlite.com/terms-warranty](http://www.evenlite.com/terms-warranty).

## ORDERING GUIDE

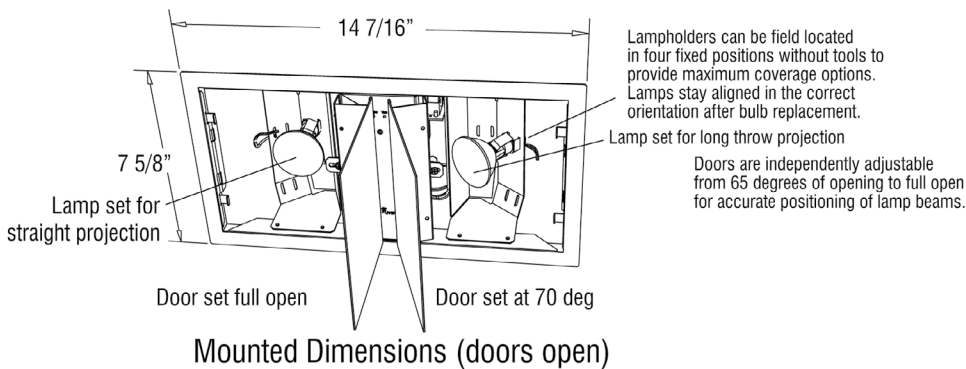
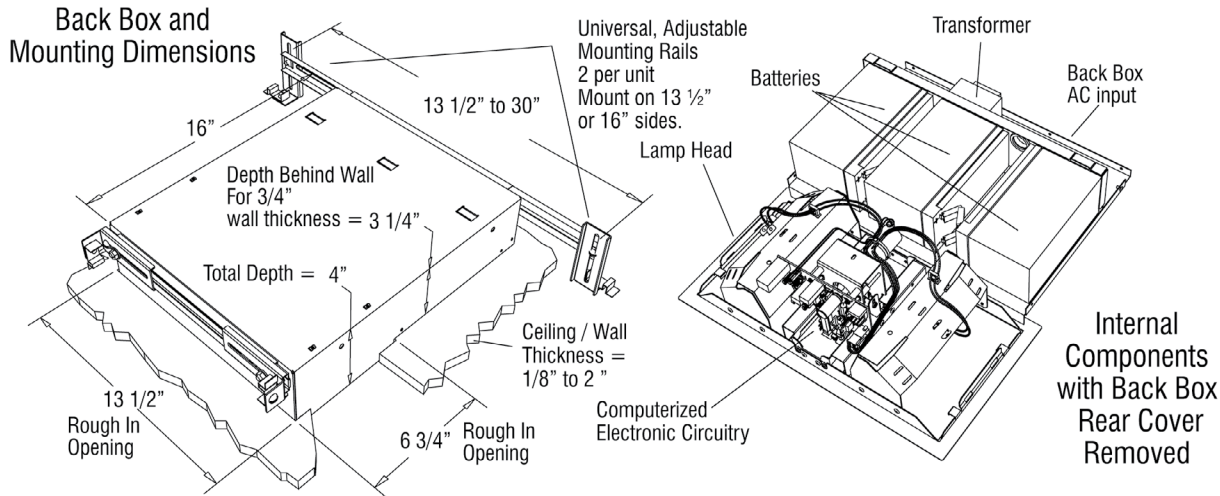
MIR-SD-50-LC-2H-UI-RI

MODEL	LAMPS	BATTERY TYPE	RUN TIME	MOUNTING <sup>5</sup>	OPTIONS	ORDERING NOTES	
<b>MIR-SD</b>	<b>20</b> 40 Watts	<b>LC</b> Sealed Lead Calcium	<b>90</b> 90 minutes <sup>1</sup>	<b>UI</b> Back Box & Fixture <sup>6</sup>	<b>CC</b> Custom Color <sup>8</sup>	1 Only available with [50] 100W and [75] 150W lamps 2 Not available with [75] 150W lamp 3 Only available with [35] 70W lamp 4 Only available with [20] 40W lamps 5 Universal wall and / or ceiling mount 6 Shipped complete 7 Preship back box 8 Specify preference 9 Order separately	
	<b>35</b> 70 Watts	<b>NC</b> Nickel Cadmium	<b>2H</b> 120 minutes <sup>2</sup>	<b>UP</b> Back Box <sup>7</sup>	<b>CP</b> Chicago Plenum Listed		
	<b>50</b> 100 Watts		<b>3H</b> 180 minutes <sup>3</sup>		<b>DL</b> Damp Location		
	<b>75</b> 150 Watts		<b>4H</b> 240 minutes		<b>RI</b> Remote Diagnostic Indicator		
					<b>RM</b> Fused Remote Output Leads		
					<b>TLRT</b> Infrared Remote Testing Transmitter <sup>9</sup>		
					<b>TD</b> 15 Minute Time Delay		
<b>MIR-SD</b>							

Fill in fields from categories above and complete type and part number.

Type No:	Full Part No:
----------	---------------

## DIMENSIONS



### FRONT PANEL DIAGNOSTIC DISPLAY

RED	Hi-Charge
GREEN	Float / Full Charge

### DIAGNOSTIC FAILURES

RED FLASH [X2]	Battery Failure
RED FLASH [X5]	Lamp Failure
RED FLASH [X1]	Transfer Failure
RED FLASH [X3]	Charger Failure
RED FLASH [X4]	Door Failure
RED / GREEN FLASH	Insufficient Charge
GREEN FLASH	In Test

**SPACING DIAGRAM**

MOUNTING HEIGHT IS 8' REFLECTANCE OF 80-50-20

