

TELESIS TWLCOM

Thermoplastic Wet Location LED Combo Exit Sign

The Telesis TWLCOM wet location LED exit sign/combo offers long-lasting, energy-efficient LED light sources housed in a durable, low-profile, UV-stabilized polycarbonate casing. Available in single or double face configurations, it includes a die-cast aluminum mounting canopy and field-selectable chevron indicators. Designed for ease and reliability, its quick-connect components provide fast, contractor-friendly installation and ease of maintenance. UL924 Wet Location Listed.



CONSTRUCTION

- Attractive, Low Profile UV Stabilized Polycarbonate housing in a pure White, Black or Gray finish
- Vandal resistant, UV stabilized clear polycarbonate lens fully gasketed for use in wet locations
- Stainless steel captive screws secure the lens cover to the housing
- Die cast aluminum mounting canopy and hardware provided as standard
- Universal mounting pattern for wall mount with Field Selectable Chevron Directional Indicators

ELECTRICAL

- Field Selectable 120 or 277 VAC input
- Available with a full self-test / self-diagnostic option
- Magnetic test switch and unique bi-color LED indicator easily identifies battery status (green normal, red check battery)
- Electronic Control Circuit and Isolation Transformer provide current control and circuit protection ensuring optimum LED efficiency and life
- Maintenance free Nickel Cadmium Battery provides the required 90 minute minimum operating time
- Fully automatic two rate charger recharges the battery in 24 hours

- UL 924 Listed for wet locations 0° to 50°C
- Low voltage cut-off prevents battery damage and ensures positive charge acceptance following an extended discharge
- Line-latch prevents unnecessary discharge of battery during installation

ILLUMINATION

- Exceptionally Low Energy Consumption LED light source with 20+ years life expectancy
- Two 3.6W LED lamp heads provide optimal center to center to center spacing
- High Intensity LED Array with 6" letter and 3/4" stroke in red or green, providing superior visual brightness and uniformity

CERTIFICATION

- Wet location listed as standard and suitable for NEMA 4X requirements
- UL 924 listed meets NFPA 101 Life Safety Code,
- NFPA 70-NEC, and OSHA requirements
- California Energy Commission (CEC) Title 20 Compliant

WARRANTY

- 5 year limited warranty - view complete warranty terms online at www.evenlite.com/terms-warranty.

ORDERING GUIDE

TWLCOM-R-I-W-SD

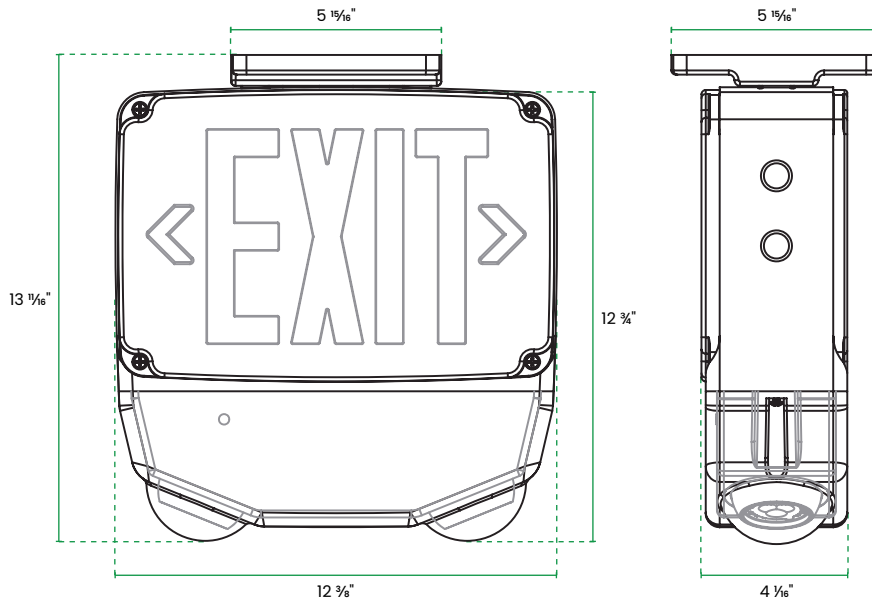
MODEL	OPERATION	LETTER COLOR	FACE COUNT	HOUSING COLOR	OPTIONS	ORDERING NOTES
TWLCOM	Nickel Cadmium Battery Back-up	R Red LED	1 Single Face	W White (Standard)	CW Cold Weather ¹	1 (-20°C to 50°C) 2 (6V 7.2W) 3 Consult Factory
		G Green LED	2 Double Face	B Black	SD Self-Diagnostic Testing	
				GY Gray (with White Faceplate)	TP Tamper Resistant Screws	
					RC Remote Capacity ²	
					SW Special Wording ³	
TWLCOM						

Fill in fields from categories above and complete type and part number.

Type No:

Full Part No:

DIMENSIONS



CENTER-TO-CENTER SPACING GUIDELINES

For reference only.

	UNIT LOCATION LIGHT SOURCE																						
1	0.30	0.43	0.59	0.76	0.98	1.22	1.37	1.37	1.21	0.97	0.74	0.70	0.75	0.92	1.09	1.13	1.04	0.89	0.68	0.50	0.34	0.24	
2	0.36	0.50	0.77	1.02	1.26	1.51	1.69	1.60	1.43	1.15	0.89	0.83	0.93	1.20	1.51	1.67	1.57	1.33	1.03	0.71	0.52	0.35	
3	0.43	0.60	0.82	1.20	1.51	1.77	1.90	1.84	1.53	1.20	0.95	0.89	1.03	1.44	1.78	1.93	1.84	1.50	1.15	0.78	0.55	0.38	
4	0.42	0.60	0.85	1.13	1.44	1.70	1.82	1.70	1.38	1.12	0.89	0.87	1.05	1.50	1.83	2.09	2.00	1.68	1.26	0.94	0.66	0.40	
5	0.44	0.61	0.80	1.06	1.29	1.45	1.50	1.40	1.12	0.96	0.78	0.78	0.97	1.34	1.70	1.93	1.87	1.61	1.25	0.91	0.67	0.48	
6	0.37	0.54	0.69	0.86	1.05	1.10	1.12	1.04	0.87	0.70	0.62	0.64	0.80	1.06	1.34	1.58	1.55	1.37	1.12	0.90	0.68	0.50	
	12	11	10	9	8	7	6	5	4	3	2	1	0	1	2	3	4	5	6	7	8	9	10

Meets NFPA 101 Requirements for: 24'+ center-to-cent spacing - 6'+ path of egress from wall - 9' mounting height.