

SOVEREIGN II CUSTOM GRAPHICS

Architectural Edgelit LED Custom-Wording Sign

The Sovereign II sets a new standard for architectural LED custom graphic signs, blending smooth curves and clean lines for a refined “floating” edgelit appearance. Its precision die-cast aluminum housing and crystal-clear laser-formed acrylic light guide deliver vivid, uniform illumination using high-efficiency LEDs. Available in four mounting configurations, it adapts to various applications. The innovative ‘Phantom’ option keeps the legend invisible when off, illuminating only when powered, ideal for warning signs. Legend colors include red, green, or blue with a white background, while continuously illuminated signs use the standard stencil version.



Surface Wall Mount with Phantom Legend



CONSTRUCTION

- “SU” Surface Universal mount option allows for field configurable surface mount to a standard j-box, and takes the guesswork out of surface mounting applications
- Light guide is “Last to Assemble” snap in for versatility and ease of installation
- Quality brushed aluminum sealed finish is standard, optional White, Black, Brass, Bronze painted finishes available to order
- Modular design provides ease of installation and matching configurations
- Low profile ceiling recessed housing is suitable for old or new work installations and is Type IC rated.
- Housing is provided with universal adjustable mounting brackets with quick fit retaining clips to suit most ceiling types.
- Pendant suspension mounting & specialty mounts available
- Slimline low profile surface mount canopy eliminates need for recessing back box in wall mounting applications

ILLUMINATION

- Available with Phantom illumination (legend not visible in the off mode) or Stencil illumination for always visible legends and graphics
- White LED light source available for multi-color graphics
- Refractive light guide is engineered to optimize LED utilization and illumination uniformity

ELECTRICAL

- Maintenance free LED light source with 25+ years life expectancy
- High intensity LED array provides exceptional energy efficiency with less than 3 watts power consumption.
- Electronic control circuit applies full wave, low ripple current to each LED thereby optimizing life and light output. A diagnostic self-compensating constant current charger circuit monitors the condition of the battery pack and indicates via a flashing LED when battery needs replacing

- Universal 120 or 277 VAC field selectable input. Other voltages are available to order. All versions feature fully integral electronic components
- Available in AC only operation (AC) or self contained battery back up (EM) models
- Self-Diagnostic Battery monitoring on all ‘EM’ models
- 3 Hour battery backup runtime with Premium long life high temperature fused Nickel Cadmium battery pack
- Circuitry includes - Zero current LVCO, Brownout sensing & Line-Latch
- Additional power consumption detail in installation guide

CERTIFICATION

- UL 924 Listed by Underwriters Laboratories and meets or exceeds all performance standards as required by NFPA 101, NFPA 70-NEC, and OSHA
- California Energy Commission (CEC) Title 20 Compliant
- Buy American Act compliant

WARRANTY

- 5 year limited warranty - view complete warranty terms online at www.evenlite.com/terms-warranty.

POWER CONSUMPTION

COLOR	TYPE	VOLTAGE	MAX	POWER
RED	AC Only	120V / 277V	1.5	0.70
RED	Battery Backup	120V / 277V	2.5	0.70
RED	Battery Backup with Remote	120V / 277V	3.0	0.73
GREEN	AC Only	120V / 277V	2.3	0.70
GREEN	Battery Backup	120V / 277V	3.0	0.76
GREEN	Battery Backup with Remote	120V / 277V	4.0	0.81

ORDERING GUIDE

SOVCGII-AC-01-6-R-1C-BA-RC

MODEL	OPERATION	GRAPHICS ¹	PANEL SIZE	LEGEND COLOR	FACES	ILLUMINATION
SOVCGII	AC AC Only (120/277 VAC)	# Standard Graphics ²	6 6" Overall Height	R Red	SINGLE FACE	IL Illuminated Legend Stencil
	EM Battery Backup Emergency	AR Right AL Left CG Custom Graphic ³	8 8" Overall Height	G Green B Blue W White LC Custom Color ³	1C Clear (Standard) 1M Mirror 1W White DOUBLE FACE 2M Mirror ⁴ 2W White	P Phantom Illumination ⁵
SOVCGII						
HOUSING COLOR		MOUNTING		OPTIONS		ORDERING NOTES
BA	Brushed Aluminum (Standard)	STANDARD		DK	Two Circuit Input ⁶	<ol style="list-style-type: none"> For signs requiring directional indicators, select C custom letter and specify graphic with chevron direction See page 4 for all standard graphic options Specify preference Mirror simulates clear background for double face exits PI option is only available with 1/2 W white panel. Appears visible only when on Specify input voltage (AC models Only) EM models only Order separately Consult factory Flash in emergency mode (EM models) or continuous flash (AC models) On 12-24V (AC or DC). Normally-off fire alarm signal (AC or EM models) Use with mullion mount No curve on panel bottom
WH	White Finish	RC	Recessed Ceiling	SD	Self-Test/Self-Diagnostic	
BK	Black Finish	SC	Surface Ceiling	IR	Self-Diagnostics with Infrared Remote Testing ⁷	
BR	Painted Brass	SW	Surface Wall	TLRT	Infrared Hand Held Transmitter ⁸	
BZ	Painted Bronze	SE	Surface End	VA	Other Input Supply Voltage ⁹	
CC	Custom Color ³	OPTIONAL		F	Flash in Emergency Mode ¹⁰	
		SU	Surface Universal	FA	Flash in AC and Emergency mode ¹¹	
		PA	12" Swivel Pendant	FB	[FA] Option including Buzzer ¹¹	
		PB	24" Swivel Pendant	FZ	[F] Option including Buzzer ¹⁰	
		PC	36" Swivel Pendant	IN	Inverted Legend ¹²	
		PD	48" Swivel Pendant	DL	Damp Location listed	
		PE	60" Swivel Pendant	FT	Flat Trim for Recessed Ceiling Mount	
		PF	72" Swivel Pendant	FP	Flat Panel ¹³	
		MU	Mullion Mount	OW	Old Work Clips	
		MUI	Mullion Mount Inverted Panel			
		MUB	Mullion Mount Back			

Fill in fields from categories above and complete type and part number.

Type No:

Full Part No:

ADDITIONAL IMAGES


RECESSED CEILING MOUNT
 Brushed Aluminum

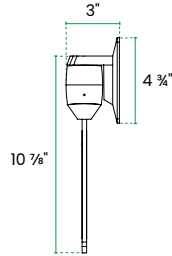
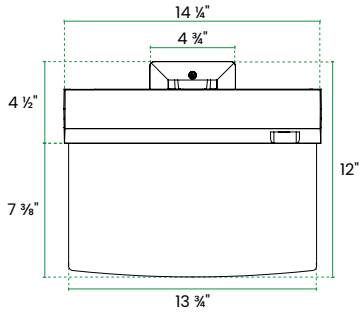
SURFACE CEILING MOUNT
 Painted Brass

SURFACE END MOUNT
 Brushed Aluminum

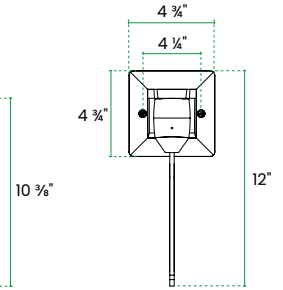
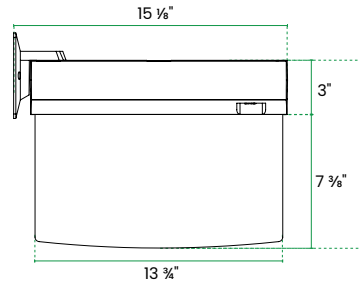
6" ISA
 White

DIMENSIONS

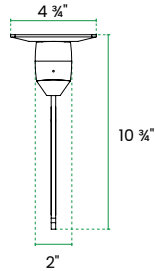
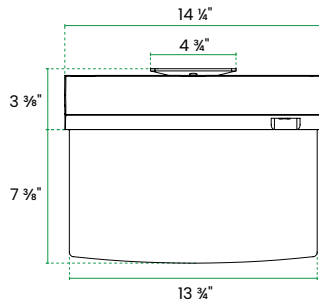
SURFACE WALL MOUNT



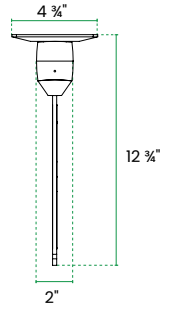
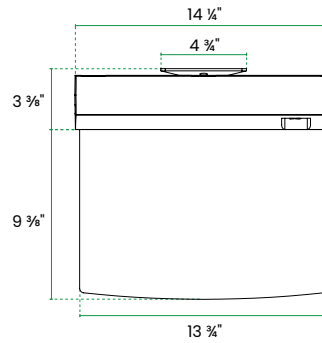
SURFACE END MOUNT



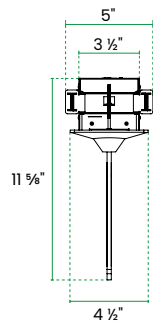
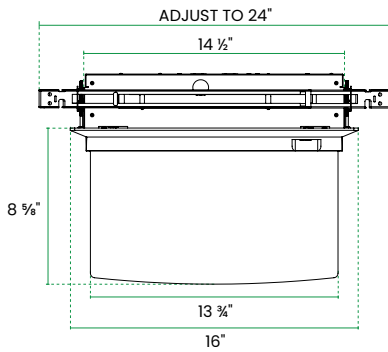
SURFACE CEILING MOUNT (6")



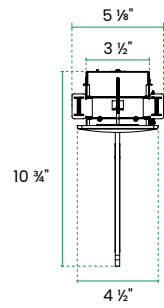
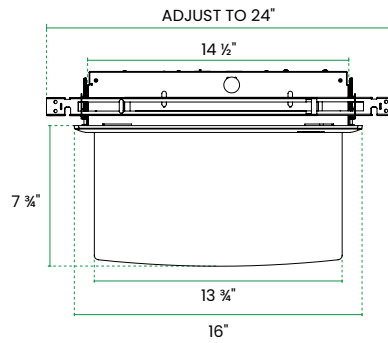
SURFACE CEILING MOUNT (8")



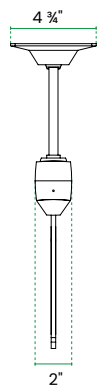
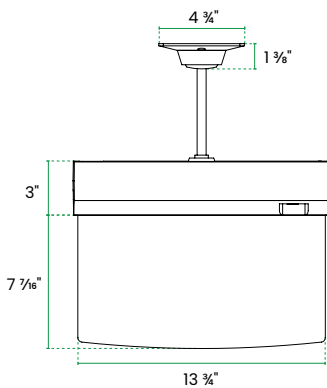
ACCENTED TRIM RECESSED CEILING MOUNT



FLAT TRIM RECESSED CEILING MOUNT

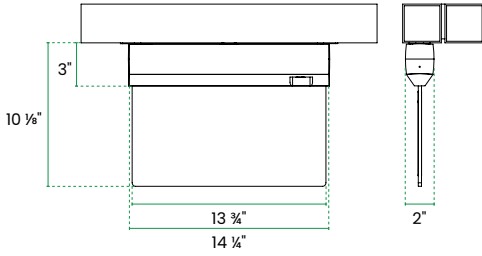


ARCHITECTURAL PENDANT MOUNT

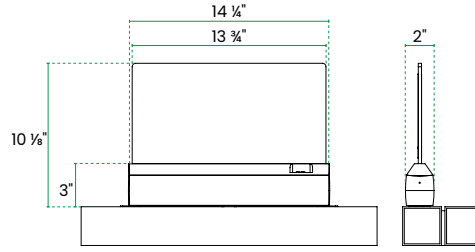


MULLION MOUNT

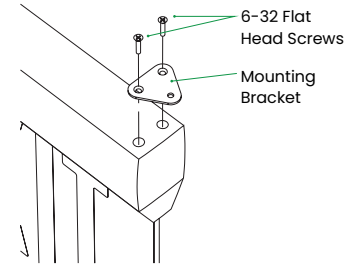
SOVII MULLION MOUNT (MU)



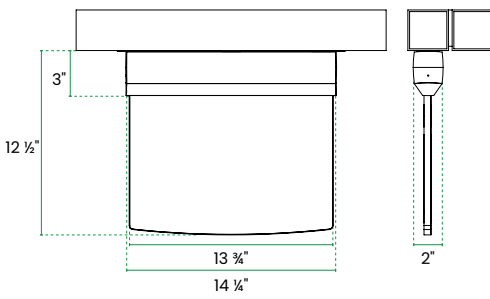
SOVII MULLION MOUNT INVERTED LEGEND (MUI)



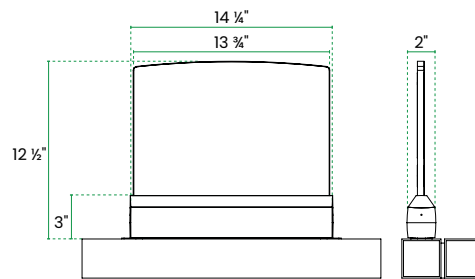
MOUNTING BRACKET ASSEMBLY



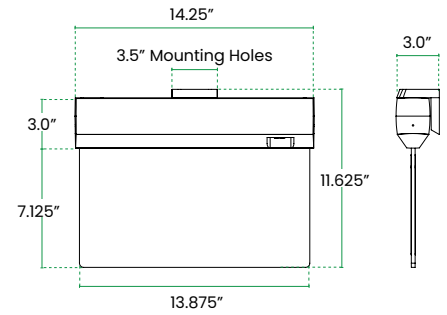
SOCII/SOVII-NR MULLION MOUNT (MU)



SOCII/SOVII-NR MULLION MOUNT INVERTED LEGEND (MUI)



MULLION MOUNT REAR



CUSTOM GRAPHICS

