

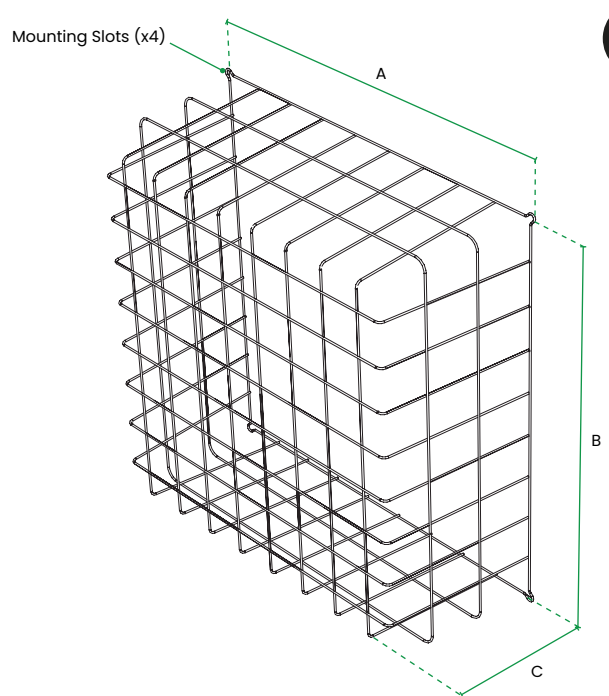
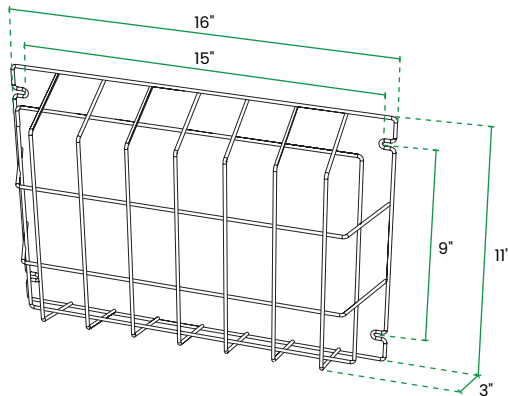
WIREGUARDS

Emergency Light / Exit Sign Wireguards

Evenlite Wireguards provide enhanced protection for emergency lighting equipment from physical damage. All are made from 18 gauge cold rolled steel and finished with a durable white baked powder coat paint for corrosion resistance. Ideal for use in gymnasiums, outdoor installations, loading docks, warehouses, schools and apartment complexes.

DIMENSIONS

MODEL	DIMENSION A	DIMENSION B	DIMENSION C
WG-4	6.0"	8.0"	6.0"
WG-5	15.75"	14.75"	6.75"
WG-6	20.0"	17.0"	12.0"
WG-7	28.0"	21.0"	10.0"
WG-70	19.5"	13.0"	4.5"
M990005	15.25"	13.75"	6.0"
M990010	16.0"	11.0"	3.0"



M990010 WIRE GUARD

- TLX
- Sentry SEN
- RZR3, RZMR3 and RCG3
- Sentry SEN with REX
- LEX and LL
- SL, SLV
- Sentry SCG
- Sentry SEN with VR

Consult Evenlite for applications not shown here or other special applications

ORDERING GUIDE

WG-4

MODEL	ORDERING NOTES
WG-4 TCL, TCLCA, TS & TR Remotes	1 9-gauge steel construction 2 Not powder coated
WG-5 Small Cabinet Battery Units	
WG-6 Medium Cabinet Battery Units	
WG-7 Large Cabinet Battery Units	
WG-70 TSCT/TSMA Exit Only	
M990005 TCXCOM, TLP, TLRC, TDCOM, TDNY ¹	
M990010 RZR3, RZMR3, RCG3, CCDS, CCDMR, CDI, DCG, TLX, LEX, LL, SL, SLV ²	

Fill in fields from categories above and complete type and part number.

Type No:	Full Part No:
----------	---------------