

TELESIS ER4X

Wet Location MR16 Remote Head

The Telesis ER4X MR16 LED remote heads feature a contemporary, low-profile architectural design. Offered with long lasting LED lamps and available in gray or black housings.



CONSTRUCTION

- Diecast aluminum gray powder coated head and base
- Fully gasketed for all wet locations
- Flexible base allows for head movement and rotation

ELECTRICAL

- Available in 6, 12 or 24V
- Operating temperature is from -22°F up to 104°F (-30°C up to 40°C)

ILLUMINATION

- MR16 LED

CERTIFICATION

- NEMA 4X rating
- Intertek verified splash zone listing is equivalent to NSF standard 2
- Buy American Act compliant

WARRANTY

- Three year limited warranty - view complete warranty terms online at www.evenlite.com/terms-warranty.

VOLTAGE/WATTAGE/LUMENS

6V	12V	24V
5W (300L)	2W (184L)	5W (346L)
7W (533L)	5W (346L)	7W (647L)
-	7W (647L)	-

ORDERING GUIDE

ER4X-2-L127

MODEL	NO. OF LAMPHEADS	LAMP OPTIONS		
		6 VOLT LAMP	12 VOLT LAMP	24 VOLT LAMP
ER4X	1 Single			
	2 Double	L65 6 Volt 5 Watt LED	L125 12 Volt 5 Watt LED	L245 24 Volt 5 Watt LED
		L67 6 Volt 7 Watt LED	L127 12 Volt 7 Watt LED	L247 24 Volt 7 Watt LED
ER4X				

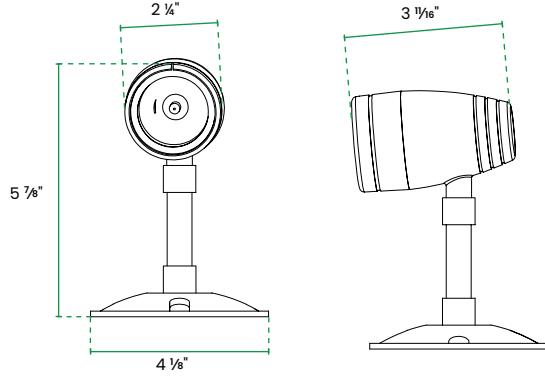
Fill in fields from categories above and complete type and part number.

Type No:

Full Part No:

DIMENSIONS

ER4X-1



ER4X-2

