

CSRL

Chicago-Approved Indoor LED Remote Head

The CSRL remote head is constructed of durable 20-gauge steel. The long-life, high-brightness LEDs ensure reliable performance and clear visibility.



CONSTRUCTION

- Durable 20-gauge steel in white or black finish to order
- Universal mounting base mounts to single gang switch box
- Suitable for wall or ceiling mounting
- Fully adjustable lamp heads

ELECTRICAL

- Requires 6-volt DC remote power supply with low voltage wiring (not provided)

ILLUMINATION

- Long lasting, efficient, high brightness 6 vdc 5.3-watt LED lamp heads
- High performance chrome-plated metallized reflector and glass lens for optimal light distribution
- 349 Lumens per lamp head

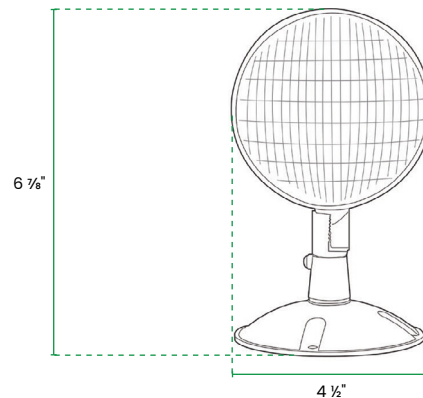
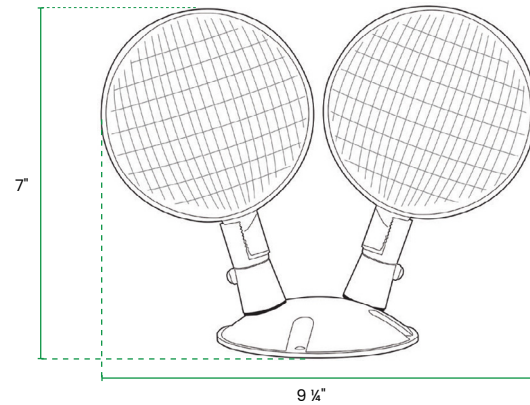
CERTIFICATION

- UL Listed, meets UL924, NFPA 101 Life Safety Code,
- NEC, OSHA, and State and Local Codes

WARRANTY

- 5 year limited warranty - view complete warranty terms online at www.evenlite.com/terms-warranty.

DIMENSIONS



CSRL-1-6V-W

ORDERING GUIDE

MODEL	NO. OF LAMPHEADS	VOLTAGE	HOUSING COLOR	ORDERING NOTES
CSRL	1 Single Remote	6V 6V'	W White	1 For use with 6V batteries
	2 Double Remote		B Black	
CSRL		6V		

Fill in fields from categories above and complete type and part number.

Type No:

Full Part No: