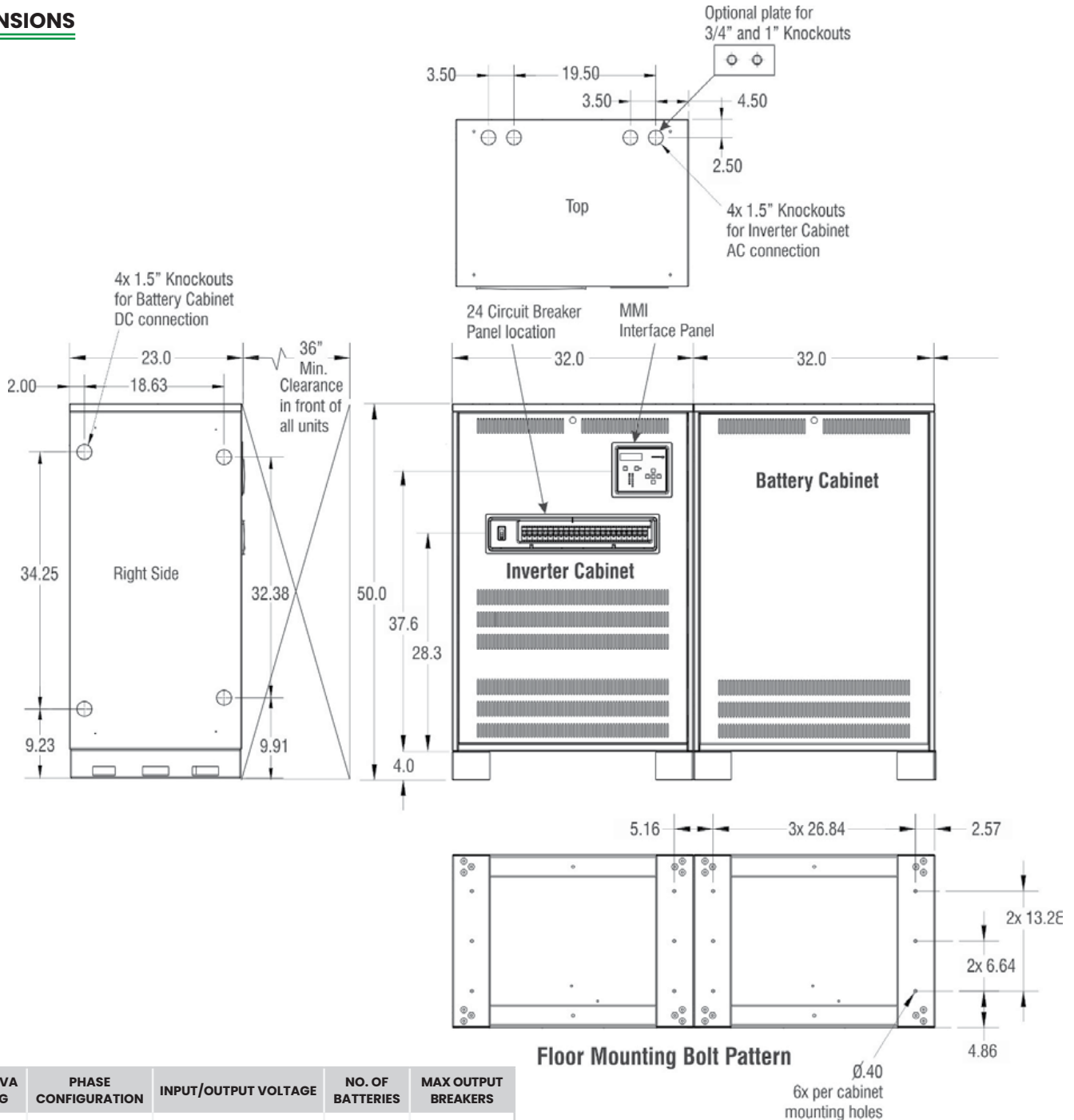


## DIMENSIONS

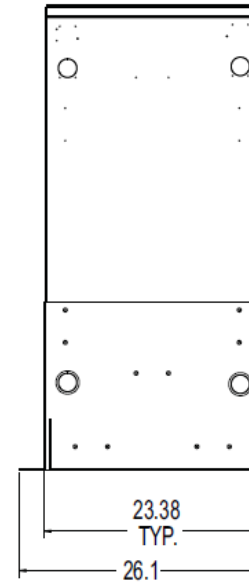
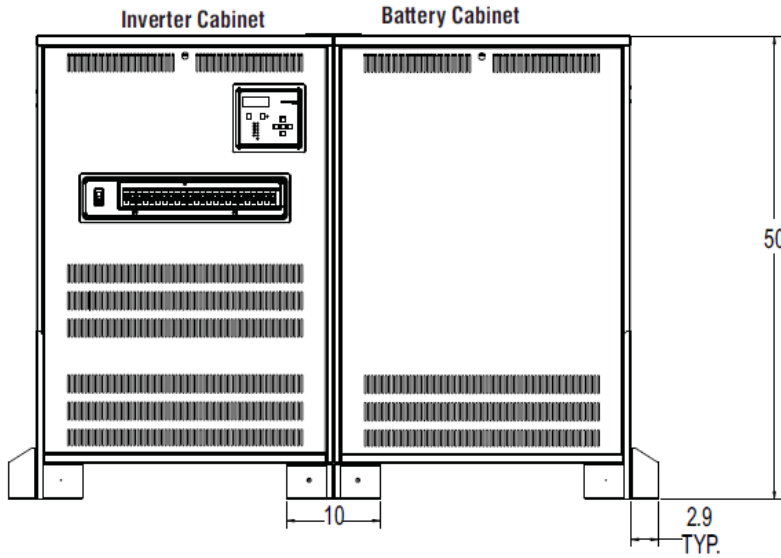
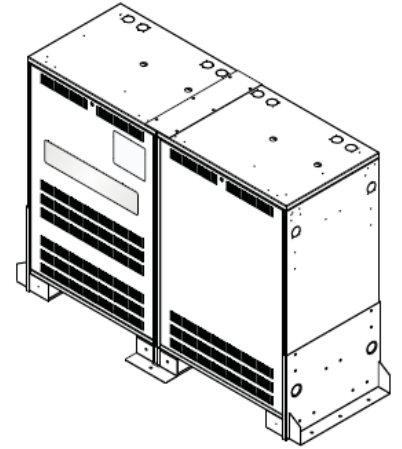
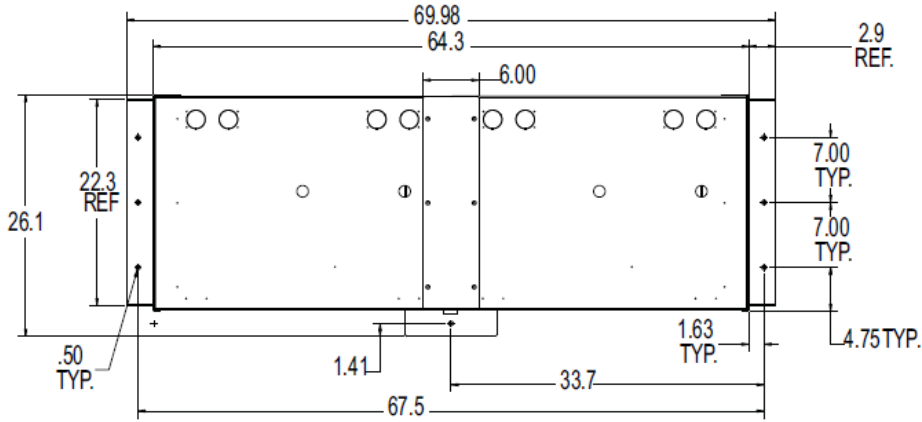


POWER VA RATING	PHASE CONFIGURATION	INPUT/OUTPUT VOLTAGE	NO. OF BATTERIES	MAX OUTPUT BREAKERS
4200W	2P	120V / 120V / 208V 277V / 277V / 480V	8	24
5200W			10	
6250W			12	
8250W			16	
10500W			20	
12500W			24	

*NOTE: Breakers must be a multiple of two to ensure even load distribution.*

**DIMENSIONS**

**INVERTER WITH SEISMIC BRACKETS**



**DIMENSIONS**

**STACKED CONFIGURATION**

