

SENTRY SEN

Indoor Die-Cast Aluminum LED Exit Sign

ALWAYS ON DUTY.

The newly refined Sentry SEN series of die-cast aluminum LED exit signs upholds the Sentry tradition of delivering a modern, subtly sophisticated design. With softened corners and a sleek 2.3" profile, it is available in premium brushed aluminum or painted finishes to complement any interior. Enhanced features include matching ½" square pendant rods with seismic-rated swivel canopies, versatile mounting and access options, field conversion flexibility, and high-performance LEDs with advanced circuitry for superior illumination.

Engineered for reliability, the high-capacity battery delivers a standard 2+ hour runtime for emergency (EM) units, ensuring lasting performance when it matters most. For enhanced versatility, pair it with an optional low-voltage remote matching Razor RZRR3 sign (-REX option).

The SD model offers even greater flexibility by supporting an optional low-voltage remote matching Razor RZRR3 sign (-REX option) and, where needed, a 1.5 Watt, 3.6V remote load (-REX + -RL option). Alternatively, the SD model with just the RL option powers a 3-watt remote load at 3.6V, this configuration is compatible with the sleek Ray-RH or traditional PRW remote lampheads, ensuring powerful, reliable illumination wherever needed during an emergency.

CONSTRUCTION

- Injection-molded internal cavity reflector ensures easy installation and maintenance while delivering perfectly even legend illumination
- Rugged Three-Piece Construction – Crafted from heavy-duty die-cast aluminum alloy, this durable housing features a thick-wall design for superior strength and longevity. Snap-lock removable face with overlapping light seal
- Available in a standard contrast finish of fine-grain brushed aluminum stencil face over a black or white body, an all-brushed aluminum architectural finish, or a subtle all-white or all-black option. See ordering guide for details.
- Field selectable knockout chevron directional indicators
- Universal knock out back mounting patten
- New entry plug design for simplified canopy installation or use with conduit entry adaptors
- Low-profile die-cast aluminum universal canopy with a cast 3/4" nipple, locking nuts, and an anti-twist lock
- Also available as a universal field-selectable kit (U), configurable for single or double-face applications
- Single or double-face models can be field-modified to accommodate either configuration, with an additional face or back available for separate order



- New ½" Square Extruded Aluminum Pendants – Featuring a matching finish, these pendants blend seamlessly with the Sentry exit, ensuring a cohesive architectural appearance. The package includes a purpose-designed slimline adaptor and a unique low-profile, seismic-rated hang-straight canopy, designed to accommodate all pendant applications
- Optional (VR) polycarbonate face shield with tamper-proof access screws, ideal for vandal-resistant and low-level applications (U.L. listed for floor-proximity installation)

ELECTRICAL

- EM Standard battery backup models are U.L. listed with 120-minute emergency runtime, including support for an optional Razor Remote RZRR3 Exit sign where required. They are equipped with a premium long-life high-temperature fused Nickel Cadmium battery, and feature a diagnostic circuit that monitors the battery condition and indicates via a flashing LED when battery needs replacing
- SD Self-Test, Self-Diagnostic Models are U.L. listed with a 120-minute emergency runtime, and compatible with an optional Razor Remote RZRR3 Exit sign or up to a 3 watt remote lamp fixtures. Equipped with a long-life, high-temperature fused Nickel Metal Hydride battery
- SD Option Compatibility – Supports an optional low-voltage remote matching Razor RZRR3 sign (-REX option, ordered separately). When paired with the -RL option, it also supports one remote PRW1.5 head. Alternatively, with only the -RL option, it supports a 3-watt remote load at 3.6V, compatible with Ray-RH or up to two PRW1.5 remote heads.
- 120 or 277 VAC field-selectable input with quick install whip connector system
- Listed for Damp location 10°C to 40°C (See Sentry SWL models for -40°C to 45°C)
- Power Consumption: AC only Models 3.72W, EM Models 4.1W, SD Models 4.56W
- Electronic control circuit applies full wave, low ripple current to each LED, thereby optimizing life and light output
- Circuitry includes – zero current LVCO, brownout sensing and line-latch

ILLUMINATION

- Maintenance-free LED light source, life expectancy of 25+ years
- Vivid legend illumination is approximately 4 times the minimum UL requirement
- Spectrally-matched diffuser for superior brightness and legend uniformity
- Field selectable chevron directional indicators
- 100' rated viewing distance with Red or Green LED and 6" letters and 3/4" stroke

CERTIFICATION

- Canadian CSA-C22.2 No. 141-15
- Tested, approved, and listed by Underwriters Laboratories to UL 924, meets NFPA 101, NFPA 70-NEC, and OSHA requirements
- California Energy Commission (CEC) Title 20 Compliant
- Buy American Act compliant
- CSA Listed
- NSF/ANSI Standard 2 Certified

WARRANTY

- 5 year limited warranty - view complete warranty terms online at www.evenlite.com/terms-warranty.

ORDERING GUIDE

SEN-AC-R-U-A-B-IB-IR

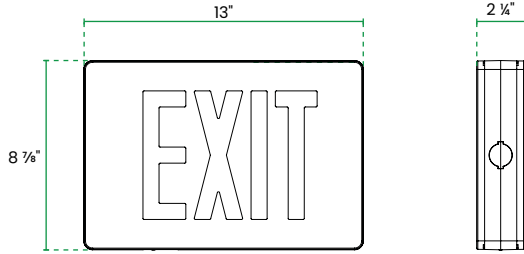
MODEL	OPERATION	LEGEND COLOR	NO. OF FACES	FACE COLOR	BODY COLOR
SEN	AC AC Only (120/277 VAC)	R Red	1 Single Face	A Brushed Aluminum	A Brushed Aluminum
	EM Battery Backup Emergency	G Green	2 Double Face	B Black	B Black
SEN			U Universal ¹	W White	W White
				C Custom Color ²	C Custom Color ²
MOUNTING		OPTIONS		ORDERING NOTES	
1B Back Mount, No Canopy ³	SD Self-Diagnostics ⁵	ORDERING NOTES 1 Single or double face 2 Specify preference 3 Single face only 4 Universal/end ceiling 5 EM only 6 Requires SEN-SD option - Order RZRR3 separately. See data sheet. 7 Requires SEN-SD option - Order Ray-RH or PRWL5 separately. See data sheet. 8 AC only 9 SD only or continuous flash on AC models. 10 SD only 11 Order separately 12 Wall mount only 13 Sold as separate product - see SWL. 14 Sold as separate product - see SCG.			
CN Canopy Mounting Kit ⁴	REX Low Voltage Remote Razor Exit ⁶				
SM Stanchion Mount	RL Remote Load ⁷				
CE 3/4" Conduit Entry	DK Dual Circuit ⁸				
PA 12" Swivel Pendant	F Flash In Emergency Mode Flasher ⁹				
PB 24" Swivel Pendant	FA Fire Alarm Interface ¹⁰				
PC 36" Swivel Pendant	IR Infrared Remote Testing Receiver ¹⁰				
PD 48" Swivel Pendant	TLRT Infrared Remote Hand Held Transmitter ¹¹				
PE 60" Swivel Pendant	VR Vandal Shield				
PF 72" Swivel Pendant	M990010 Wire Guard ^{11, 12}				
	WL Wet Location ¹³				
	TP Tamperproof Screws				
	CG Custom Graphics ¹⁴				

Fill in fields from categories above and complete type and part number.

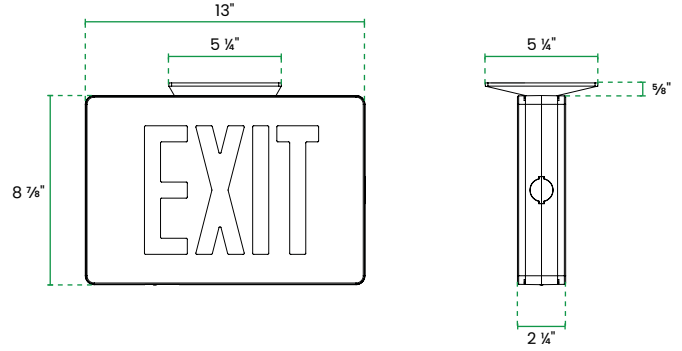
Type No: _____ Full Part No: _____

DIMENSIONS

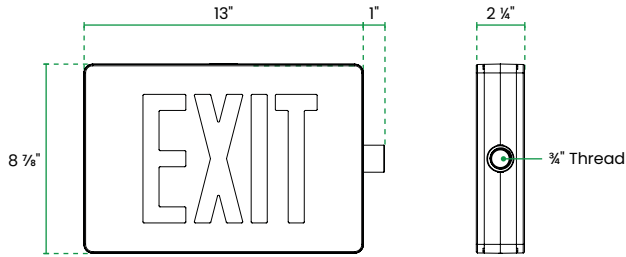
BACK MOUNT (1B)



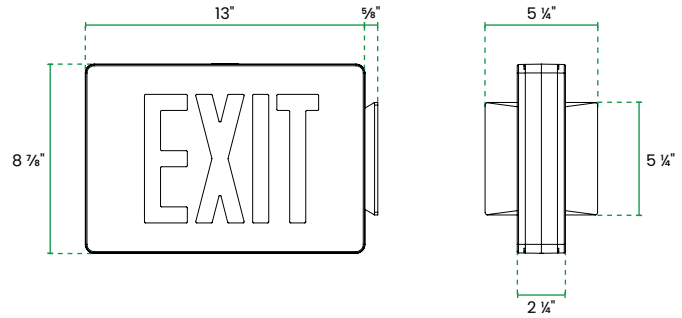
CEILING MOUNT (CN)



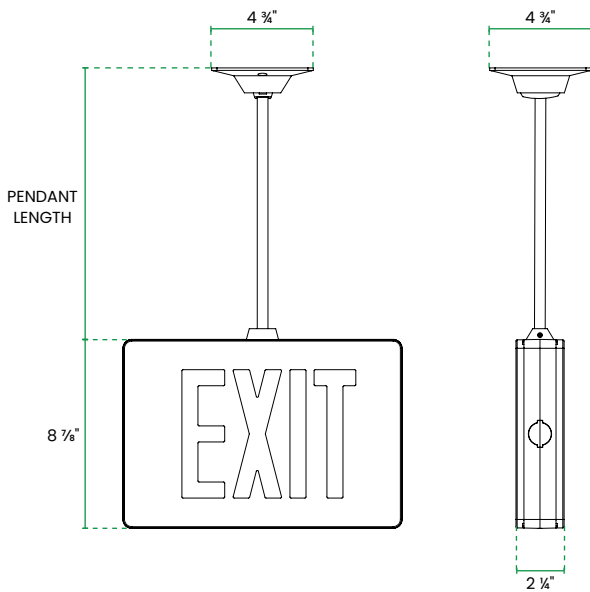
CONDUIT ENTRY (CE)



END MOUNT (CN)



PENDANT MOUNT



PENDANT LENGTH	
PA	12" Swivel Pendant
PB	24" Swivel Pendant
PC	36" Swivel Pendant
PD	48" Swivel Pendant
PE	60" Swivel Pendant
PF	72" Swivel Pendant

ADDITIONAL IMAGES



CEILING MOUNT
White Housing with Red Legend



CEILING MOUNT
Black Housing with Green Legend



PENDANT MOUNT
Brushed Aluminum Housing with Green Legend



BACK MOUNT
Brushed Aluminum with Red Legend



CEILING MOUNT
Black Housing with Red Legend



CONDUIT ENTRY
White Housing with Green Legend



END MOUNT
Black Housing with Green Legend



PENDANT MOUNT
White Housing with Red Legend