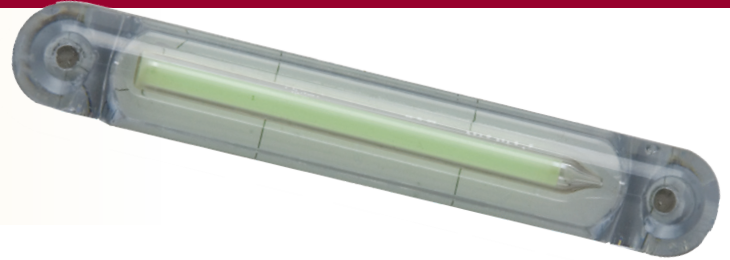


# MARKERLITE - ML – Self-Luminous Markers

*No Electricity Required*

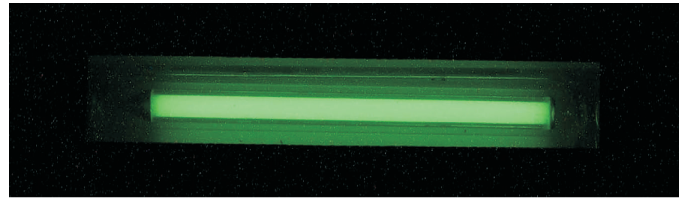
## THE LITE STUFF

Markerlites are the ideal solution for theaters, auditoriums, stairways and other path marking applications. The Markerlite is illuminated internally by a sealed tritium light source rated to 20-years useful life with no maintenance needed. Markerlite is Recyclable at the end of its useful life.



## Construction

- 100% reliable, maintenance-free, and always on
- Surface mount or recessed
- Rugged, high-impact, heavy wall clear polycarbonate injection molded housing, with a hard coat scratch resistant finish
- Easy to install via two fixing points. Use of tamper resistant screws (not provided) is recommended to prevent unauthorized removal
- Recessed model available with White or Black trim
- Sealed tritium glass tube is permanently encased within unbreakable polycarbonate housing



## Electrical

- Non-electrical light source

## Illumination

- No external light source, wiring or batteries required
- 520 nm green light output for maximum visibility in the dark
- 500 micro lamberts minimum initial light output
- Visible up to 100-feet in darkness

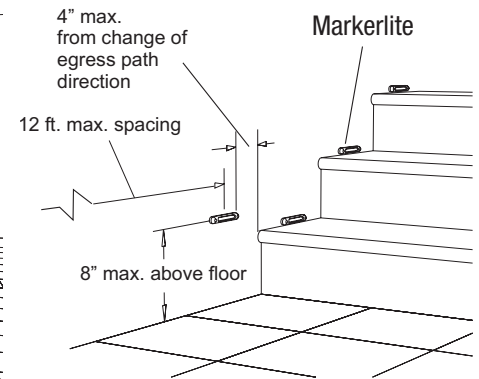
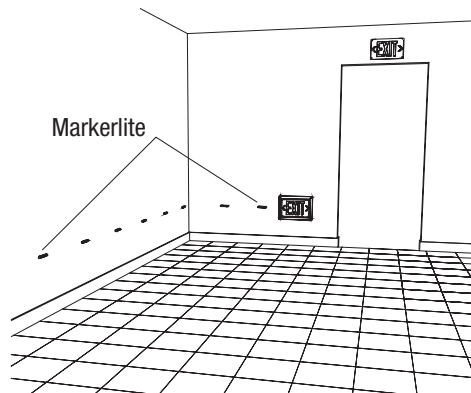
## Certification

- Suitable for hazardous areas and damp/wet locations. Meets NEC Article 500, Class 1, 11, and 111 conditions
- Licensed under state and federal regulations for distribution to general licensees

## Warranty

- 20-year service life rating
- Limited warranty for the rated 20-year service life

## Typical Installations



## ORDERING GUIDE – ML

Example: ML20RBK

Model	Operation
ML20 ML20RWH ML20RBK	20 Year Rated Surface Mount Markerlite 20 Year Rated Recessed Mount Markerlite, White Trim 20 Year Rated Recessed Mount Markerlite, Black Trim
ML	

Fill in fields from categories above and complete type and part number.

Type Number:

Full Part Number:

# Markerlite ML – Self-Luminous Markers

