

PROJECT NAME:	APPROVED BY:
CATALOG NO:	TYPE NO:

TELESIS PI LED - INDOOR REMOTE HEAD

The Telesis PI LED indoor remote heads offer contemporary styling with low profile design. Offered with long lasting LED lamps and available in white or black housing.

Construction

- Injection molded high impact thermoplastic
- 5VA flame retardant housing
- Available in white or black finish
- Mounting plate included, mounts to single-gang switch box
- Can be wall or ceiling mounted

Electrical

- Multi-volt operation allows for 3.6, 6.0, 9.6, and 12.0 volt operation from remote DC power source (not provided)
- Distance to remote determined by wire size and total watts on circuit

Illumination

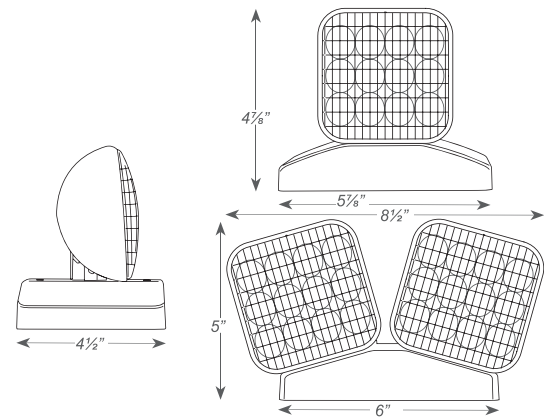
- Bright long life white LED's 5000K color temperature
- 1.0 watts per lamphead 44.6 Lumens, optional HL 1.5 watts per head 65.4 Lumens

Certification

- Meets UL 924, NFPA 101 Life Safety Code, NEC, OSHA, Local and State Codes

Warranty

- Three year limited warranty



ORDERING GUIDE – PI

Example: PILED-2-MV-W-SD

Model	Lamp Type	Number of Lampheads	Voltage	Color	Options
PI	LED	1 Single Remote 2 Double Remote	MV For use with 3.6, 6.0, 9.6, and 12.0 volt units	W White B Black	SD Required when used with SD units HL 12 LED's, 1.5 Watts per head
PI					

Fill in fields from categories above and complete type and part number.

Type Number:

Full Part Number: