

PWII SERIES

Remote Test Switch & Monitor (RT Option)

RT Option for PW and PWII Inverter Lines

Remote Test Switch and Monitor option allows the user to fully monitor the status of the sine wave inverter from a remote location.

The user can now locate the inverter away from public areas in schools or other public access buildings where there may be a concern with unauthorized entry to the system.

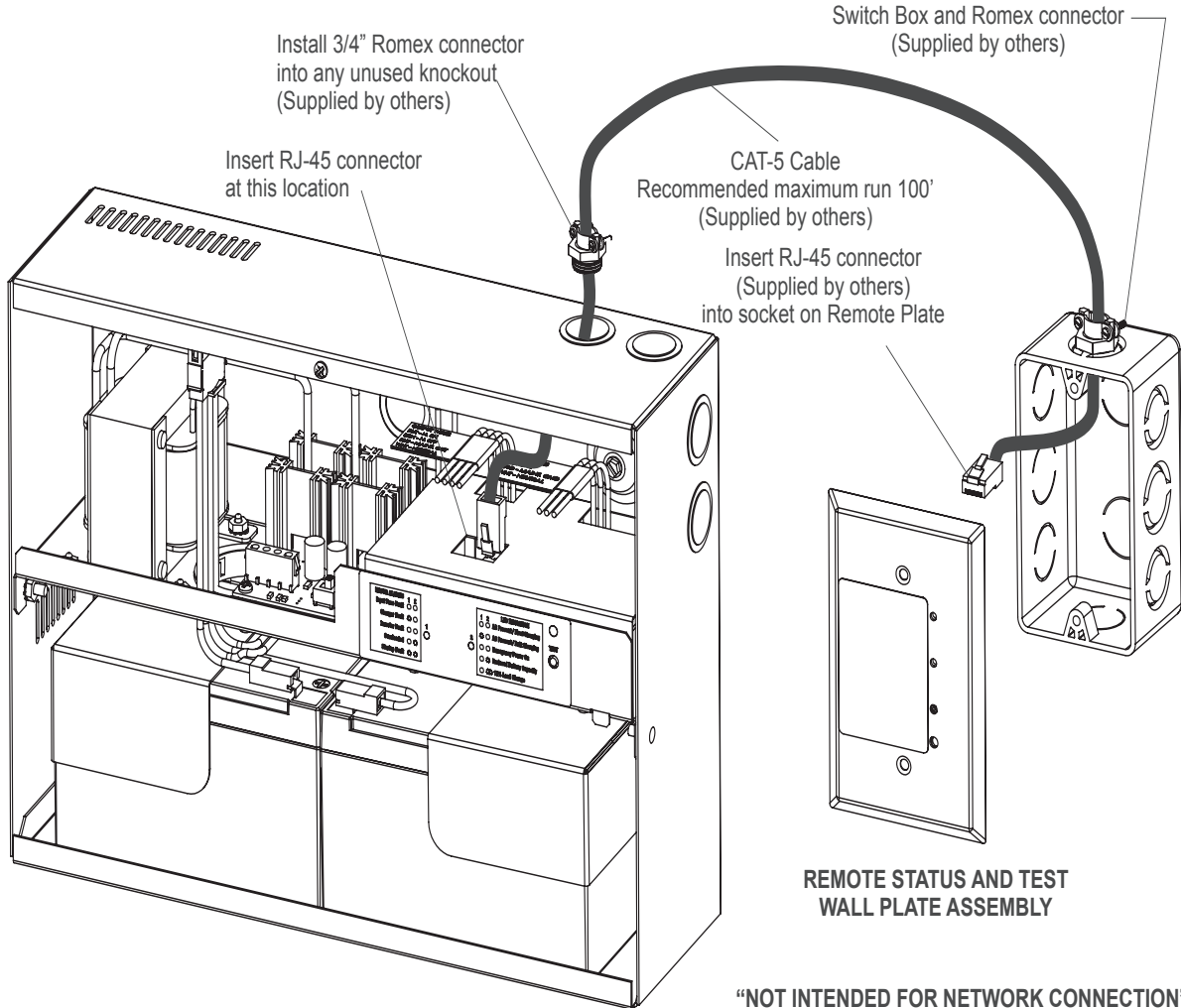
Features

- Full system status display, including infrared receiver, test buttons, self-diagnostic LED Indicators, buzzer and system status LED's
- Clear easy to read and distinguish from other equipment monitors
- Remote Test Monitor can be used with the TLRT infrared hand held remote option for ease of on-demand testing
- Remote display installs easily in a standard switch box
- Quick interconnect from inverter to remote test panel with Cat. 5 cable (not provided)
- RJ 45 connection points provided on inverter and remote test display pc boards
- Remote Test Display can be mounted up to 100' from the inverter, consult factory for greater distances
- Suitable for wall or ceiling mounting



Remote Test Switch & Monitor (RT Option)

INVERTER REMOTE STATUS AND TEST PANEL WIRING INSTRUCTIONS



"NOT INTENDED FOR NETWORK CONNECTION"

Note: RJ-45/CAT-5 cable is used for direct connection from Inverter to Remote Display only.