

PROJECT NAME:	APPROVED BY:
CATALOG NO:	TYPE NO:

SENTRY - MASTER-REMOTE LED EXIT SIGNS

CCDMR Series

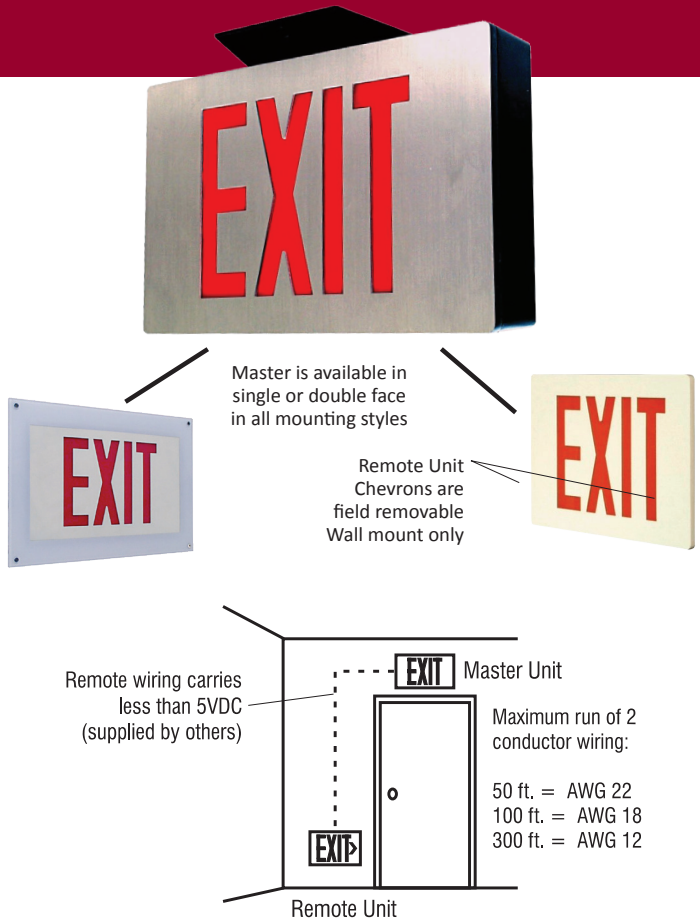
Architectural quality Die Cast Aluminum Master- Remote Exit Sign. Sentry Master feeds Razor low profile 5/8" surface mount or Sentry recessed remote sign, thereby maintaining matching appearance and ease of installation.

Construction

- Master - Remote operation with low voltage interconnect (Supplied by others)
- Low Profile Razor remote with RS cover, or Sentry recessed with polycarbonate face plate
- Maintenance free LED light source with 25+ years life expectancy
- Injection molded internal cavity reflector provides ease of installation and maintenance together with perfectly even legend illumination
- Two piece, thick wall construction from heavy duty die cast aluminum alloy, removable front stencil face with overlapping light seal
- Fine grain brushed aluminum stencil face standard. Other finishes available
- Field selectable chevron indicators
- Hidden knock out access points and universal pattern
- Low profile universal canopy for Master with cast 3/4" nipple and locking nuts
- Razor Remote only 5/8" thick surface mount with hidden mounting hardware is provided with RS polycarbonate security cover as standard
- Optional Recessed Sentry Remote comprises a quick fit old or new work recessing pan for the standard Sentry (same housing as master) with a trimmed 1/8" thick polycarbonate flush wall cover with tamper resistant hardware
- Single Face Master can also be ordered with a Recessing Kit "RE"

Electrical

- High intensity LED array provides exceptional energy efficiency with just 1-watt power consumption for both single and double face AC models.
- Battery backup models consume just 2.5 watts, .77 power factor
- 2 Hour battery backup runtime with premium long life high temperature fused Nickel Cadmium battery pack
- Self-Diagnostic Battery monitoring on all 'EM' models
- A diagnostic self-compensating constant current charger circuit monitors the condition of the battery pack and indicates via a flashing LED when battery needs replacing



- Electronic control circuit applies full wave, low ripple current to each LED thereby optimizing life and light output.
- Circuitry includes - Zero current LVCO, Brownout sensing & Line-Latch
- 120 or 277 VAC field selectable input on Master with quick install push-wire connectors

Illumination

- Vivid legend illumination approx. 4 times the minimum UL 924 requirement
- Spectrally matched fluorescent diffuser for superior visual brightness and uniformity

Certification

- Tested, approved and listed by Underwriters Laboratories to UL 924, meets NFPA 101 Life Safety Code, NFPA 70- NEC, and OSHA requirements
- California Energy Commission (CEC) Title 20 Compliant



Warranty

- 5 Year Limited Warranty, Battery pro-rated

Sentry CCDMR Series Master-Remote LED Exit Signs

ORDERING GUIDE – CCDMR

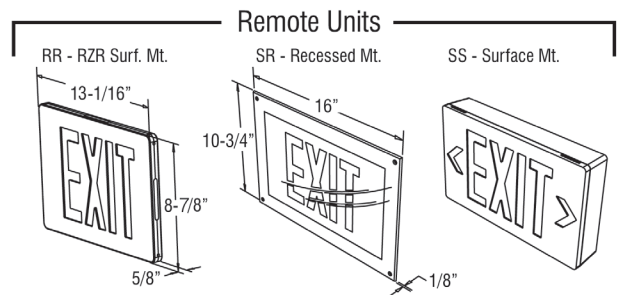
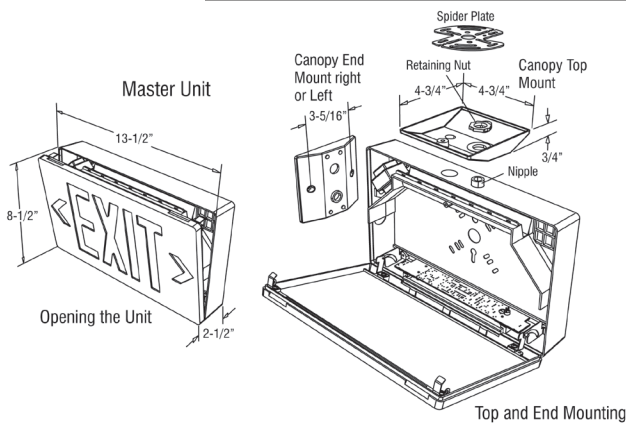
Example: CCDMR-EM-R-11-AB-CN-RR-F

Model	Operation	Letter Color	Number of Faces	Body Color Master & Remote	Mounting, Master	Remote Options	Options
CCDMR	AC AC Only 120/277 VAC	R Red EXIT Master, Red EXIT Remote	11 Single Face Master, Single Face Remote	AB Brushed Face, Black Body	1B Back Mount, No Canopy	RR Razor Surface Mount (provided with RS security cover)	SD Self-Test / Self-Diagnostic (EM Models)
	EM Battery Backup	G Green EXIT Master, Green EXIT Remote	21 Double Face Master, Single Face Remote	BB All Black	CN Canopy Mounting Kit (Universal End/Ceiling)	SR Sentry Recessed Mount	IR Infrared Remote Testing Receiver Option
			12 Single Face Master, Double Face Remote	WW All White	CI Industrial Canopy (Includes PM Option)	SS Sentry Surface Mount	TLRT Infrared Remote Hand Held Transmitter (order separately)
		<i>*Master can also power a Custom Remote Consult Factory for details</i>	22 Double Face Master, Double Face Remote	AA All Brushed Aluminum	RE Recessing Frame (Includes 1B Mount)	<i>Note: Razor remote housing colors are</i>	DK Two Circuit Input, Specify Input Voltage (AC models)
				AW Brushed Face, White Body	PA 12" Swivel Pendant Mount	WH – all white,	DL Damp Location
				CC Custom Color (specify)	PB 24" Swivel Pendant Mount	BK – all black,	F Flash in Emergency Mode (EM models) or continuous Flash in AC models
					PC 36" Swivel Pendant Mount	BA – all brushed aluminum	FA Flash in AC and Emergency mode on 12-24V (AC or DC) normally off fire alarm signal (Available for AC and EM models)
					PD 48" Swivel Pendant Mount		FB FA option including Buzzer
							FZ F option including Buzzer
							M990010 Wire Guard
							PC1 1/8" Polycarbonate Shield (includes TP) Master and Remote (except Razor remote)
							PM 1/8" Polycarbonate Shield (includes TP), Master Only
							PR 1/8" Polycarbonate Face Shield (Includes TP Remote SS Only)
							SA 6" Sencil Face Int'l Symbol of Accessibility (add per face, SS only)
							T2* Tamper Proof Screws, Master and Remote
							TM Tamper Proof Screws, Master Only
							TR* Tamper Proof Screws, Remote Only
							<i>* Available on Sentry Surface Remote Only</i>
CCDMR							

Fill in fields from categories above and complete type and part number.

Type Number:

Full Part Number:



For SR dimensions and mtg. see data sheet CCDS-REC