

# SENTRY - Master-Remote LED Exit Signs

## CCDMR Series

Architectural quality Die Cast Aluminum Master- Remote Exit Sign. Sentry Master feeds Razor low profile 5/8" surface mount or Sentry recessed remote sign, thereby maintaining matching appearance and ease of installation.

### Construction

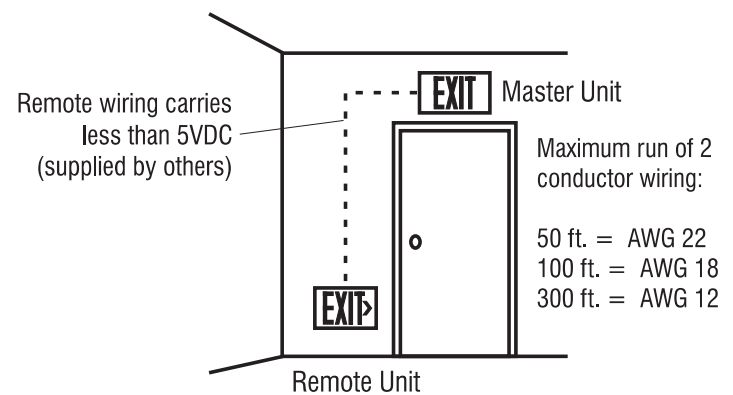
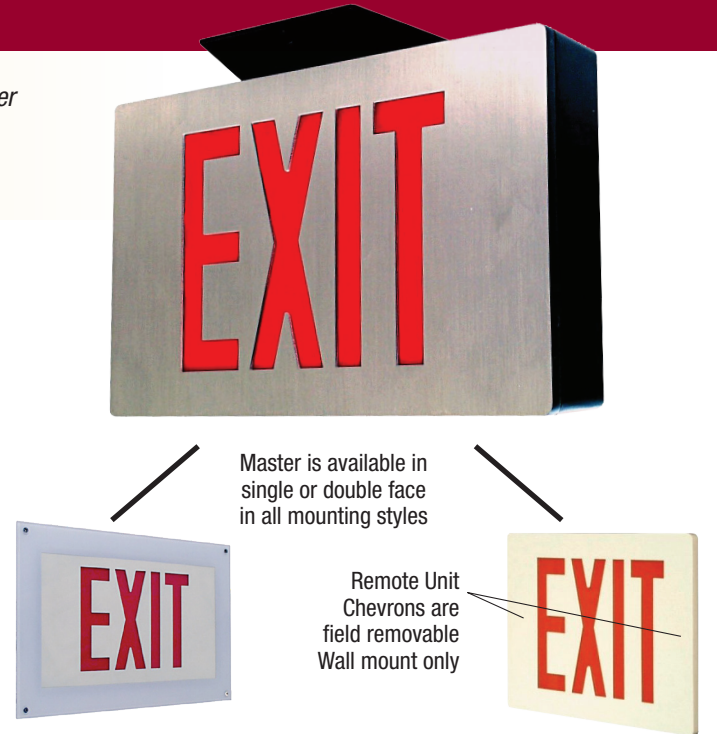
- Master - Remote operation with low voltage interconnect (Supplied by others)
- Low Profile Razor remote with RS cover, or Sentry recessed with polycarbonate face plate
- Maintenance free LED light source with 25+ years life expectancy
- Injection molded internal cavity reflector provides ease of installation and maintenance together with perfectly even legend illumination
- Two piece, thick wall construction from heavy duty die cast aluminum alloy, removable front stencil face with overlapping light seal
- Fine grain brushed aluminum stencil face standard. Other finishes available
- Field selectable chevron indicators
- Hidden knock out access points and universal pattern
- Low profile universal canopy for Master with cast 3/4" nipple and locking nuts
- Razor Remote only 5/8" thick surface mount with hidden mounting hardware is provided with RS polycarbonate security cover as standard
- Optional Recessed Sentry Remote comprises a quick fit old or new work recessing pan for the standard Sentry (same housing as master) with a trimmed 1/8" thick polycarbonate flush wall cover with tamper resistant hardware
- Single Face Master can also be ordered with a Recessing Kit "RE"

### Electrical

- High intensity LED array provides exceptional energy efficiency with just 1-watt power consumption for both single and double face AC models.
- Battery backup models consume just 2.5 watts, .77 power factor
- 2 Hour battery backup runtime with premium long life high temperature fused Nickel Cadmium battery pack
- Self-Diagnostic Battery monitoring on all 'EM' models
- A diagnostic self -compensating constant current charger circuit monitors the condition of the battery pack and indicates via a flashing LED when battery needs replacing
- Electronic control circuit applies full wave, low ripple current to each LED thereby optimizing life and light output.
- Circuitry includes - Zero current LVCO, Brownout sensing & Line-Latch
- 120 or 277 VAC field selectable input on Master with quick install push-wire connectors

### Illumination

- Vivid legend illumination approx. 4 times the minimum UL 924 requirement
- Spectrally matched fluorescent diffuser for superior visual brightness and uniformity



### Certification

- Tested, approved and listed by Underwriters Laboratories to UL 924, meets NFPA 101 Life Safety Code, NFPA 70- NEC, and OSHA requirements
- California Energy Commission (CEC) Title 20 Compliant



### Warranty

- 5 Year Limited Warranty

# Sentry CCDMR Series Master-Remote LED Exit Signs

## ORDERING GUIDE – CCDMR

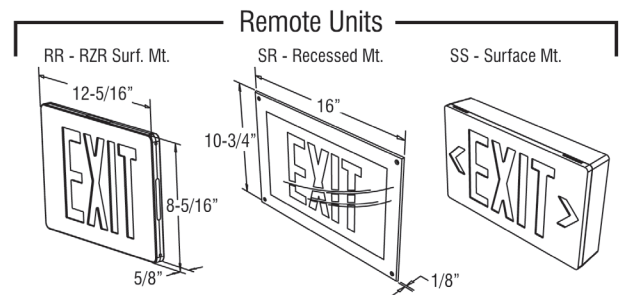
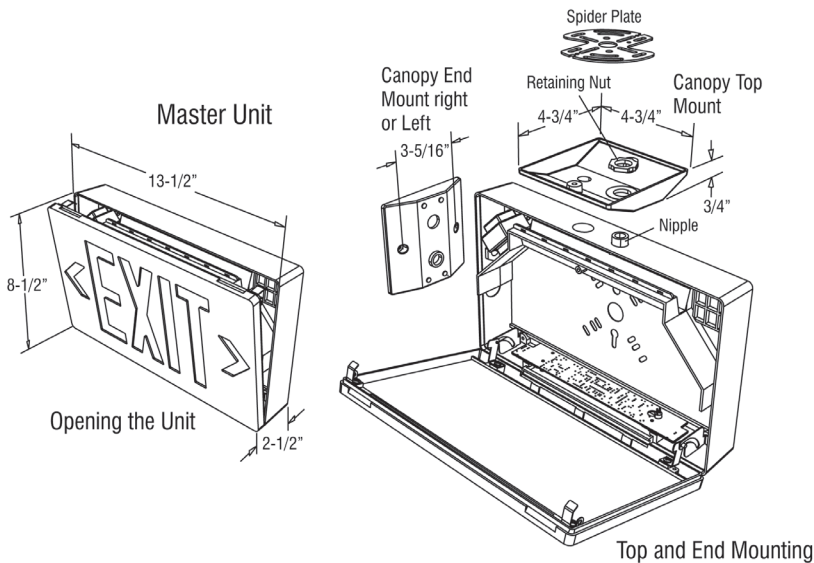
Example: CCDMR-EM-R-11-AB-CN-RR-F

Model	Operation	Letter Color	Number of Faces	Body Color Master & Remote	Mounting, Master	Remote Options	Options
CCDMR	<b>AC</b> AC Only 120/277 VAC	<b>R</b> Red EXIT Master, Red EXIT Remote	<b>11</b> Single Face Master, Single Face Remote	<b>AB</b> Brushed Face, Black Body	<b>1B</b> Back Mount, No Canopy	<b>RR</b> Razor Surface Mount (provided with RS security cover)	<b>F</b> Flash in Emergency Mode (EM models) or continuous Flash in AC models
	<b>EM</b> Battery Backup	<b>G</b> Green EXIT Master, Green EXIT Remote	<b>21</b> Double Face Master, Single Face Remote <b>12</b> Single Face Master, Double Face Remote <b>22</b> Double Face Master, Double Face Remote	<b>BB</b> All Black <b>WW</b> All White <b>AA</b> All Brushed Aluminum <b>AW</b> Brushed Face, White Body <b>CC</b> Custom Color (specify)	<b>CN</b> Canopy Mounting Kit (Universal End/Ceiling) <b>CI</b> Industrial Canopy (Includes PM Option) <b>RE</b> Recessing Frame (Includes 1B Mount) <b>PA</b> 12" Swivel Pendant Mount <b>PB</b> 24" Swivel Pendant Mount <b>PC</b> 36" Swivel Pendant Mount <b>PD</b> 48" Swivel Pendant Mount	<b>SR</b> Sentry Recessed Mount <b>SS</b> Sentry Surface Mount  <i>Note: Razor remote housing colors are WH – all white, BK – all black, BA – all brushed aluminum</i>	<b>FZ</b> F option including Buzzer <b>FA</b> Flash in AC and Emergency mode on 12-24V (AC or DC) normally off fire alarm signal (Available for AC and EM models) <b>FB</b> FA option including Buzzer <b>DK</b> Two Circuit Input, Specify Input Voltage (AC models) <b>TM</b> Tamper Proof Screws, Master Only <b>TR*</b> Tamper Proof Screws, Remote Only <b>T2*</b> Tamper Proof Screws, Master and Remote <b>PC1</b> 1/8" Polycarbonate Shield (includes TP) Master and Remote (except Razor remote) <b>PM</b> 1/8" Polycarbonate Shield (includes TP), Master Only <b>SD</b> Self-Test / Self-Diagnostic (EM Models) <b>IR</b> Infrared Remote Testing Receiver Option <b>TLRT</b> Infrared Remote Hand Held Transmitter (order separately) <b>M990010</b> Wire Guard <i>* Available on Sentry Surface</i>
CCDMR							

Fill in fields from categories above and complete type and part number.

Type Number:

Full Part Number:



For SR dimensions and mtg. see data sheet CCDS-REC