

PROJECT NAME:	APPROVED BY:	
CATALOG NO:	TYPE NO:	

SENTRY - LED Exit Signs

Series Die Cast Aluminum LED Exit Signs

Commanding Attention With Rugged Construction & Stylish Design. Always On Duty.

Sentry Die Cast Aluminum LED exit signs command attention with architectural quality certain to please even the most discriminating eye.

Softened corners and low profile – (just 2.4”) – create a sleek effect, further enhanced by chamfered edges.

Available in a standard contrast finish of brushed aluminum stencil over black or white body, or, if you prefer, subtle “all white,” dramatic “all black” or architectural “all brushed aluminum” finish.



Construction

- Injection molded internal cavity reflector provides ease of installation and maintenance together with perfectly even legend illumination
- Two piece thick wall construction housing from heavy-duty die cast aluminum alloy, removable front stencil face with overlapping light seal
- Fine grain brushed aluminum stencil trim standard. Other finishes available
- Hidden knock out access points and universal pattern
- Low profile universal canopy with cast 3/4” nipple and locking nuts
- Optional recessing frame, polycarbonate face shield with tamper proof access screws, pendant & specialty mounts

Electrical

- High-intensity LED array delivers exceptional energy efficiency with just 1-watt power consumption for single & double-face AC models. Battery backup models consume just 2.5 watts, (.77 power factor)
- Self diagnostic battery monitoring on all “EM” models
- 4-hour battery backup runtime with premium long-life high-temperature fused Nickel Cadmium battery pack
- 120 or 277 VAC field-selectable input with quick install push wire connectors
- Electronic control circuit applies full wave, low ripple current to each LED, thereby optimizing life and light output

- Remote capability to power one remote exit sign
- A diagnostic self-compensating constant current charger circuit monitors the condition of the battery pack and indicates via a flashing LED when battery needs replacing
- Circuitry includes - zero current LVCO, brownout sensing & line-latch

Illumination

- Maintenance-free LED light source, life expectancy of 25+ years
- Vivid legend illumination approximately 4 times the minimum UL requirement
- Spectrally-matched fluorescent diffuser for superior brightness and legend uniformity
- Field selectable chevron directional indicators
- 100’ rated viewing distance with 6” letter height and 3/4” stroke

Certification

- Tested, approved and listed by Underwriters Laboratories to UL 924, meets NFPA 101, NFPA 70-NEC and OSHA requirements
- California Energy Commission (CEC) Title 20 Compliant

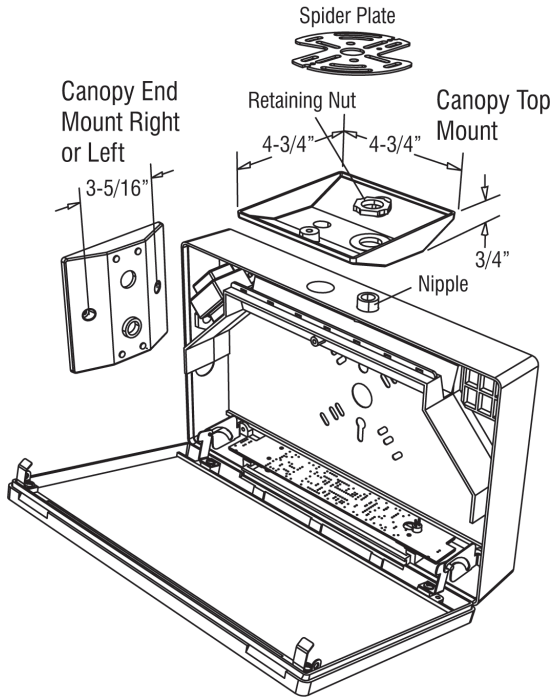


Warranty

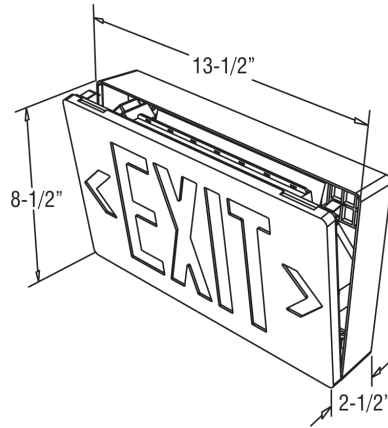
- 5-Year Limited Warranty



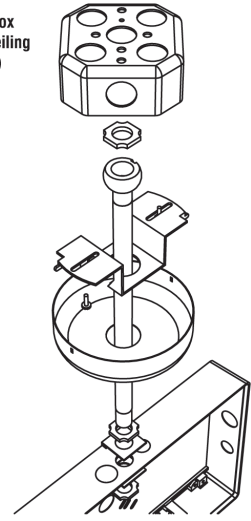
SENTRY – Die Cast Aluminum LED Exit Signs



Top and End Mounting



Octagon junction box (recessed in the ceiling supplied by others)



Swivel Pendant Mounting

Wire Guard available for wall mount models see data sheet WG-VS, Master/Remote model available see data sheet CCDMR, Recessed Model available see data sheet CCDS-REC

ORDERING GUIDE – CCDS

Example: CCDS-EM-R-1-AB-CN-SD

Model	Operation	Letter Color	No. of Faces	Body Color	Mounting	Options
CCDS Sentry	AC AC Only 120/277 VAC EM Battery Backup	R Red G Green	1 Single 2 Double	AB Brushed Face Black Body BB All Black WW All White AA All Brushed Aluminum AW Brushed Face White Body CC Custom Color	1B Back mount, No canopy CN Canopy Mounting Kit (Universal End/Ceiling) PA 12" Swivel Pendant Mount PB 24" Swivel Pendant Mount PC 36" Swivel Pendant Mount PD 48" Swivel Pendant Mount	F Flash in Emergency Mode (EM models) or continuous Flash in AC models FZ F option including Buzzer FA Flash in AC and Emergency mode on 12-24V (AC or DC) normally off fire alarm signal. (Available for AC and EM models) FB FA option including Buzzer DK Two Circuit Input, Specify Input Voltage (AC models only) DL Damp Location TP Tamper Proof Screws PC1 1/8" Polycarbonate Faceplate (includes TP) SD Self-Test / Self-Diagnostic (EM Models) IR Infrared Remote Testing Receiver Option TLRT Infrared Remote Hand Held Transmitter (order separately) M990010 Wire Guard (Wall Mount Only)
CCDS						

Fill in fields from categories above and complete type and part number.

Type Number:

Full Part Number:

