
INSTRUCTIONS

IMPORTANT SAFEGUARDS

When using electrical equipment, basic safety precautions should always be followed including the following:

1. **READ AND FOLLOW ALL SAFETY INSTRUCTIONS**
2. Disconnect power before performing work on electrical equipment.
3. Use caution when servicing batteries.
4. Equipment should be mounted in locations and at heights where unauthorized personnel will not readily subject it to tampering.
5. The use of accessory equipment not recommended by Evenlite Inc., may cause an unsafe condition, and will void the unit's warranty.
6. Do not use this equipment for other than its intended purpose.
7. Servicing of this equipment should be performed by qualified service personnel.
8. **SAVE THESE INSTRUCTIONS!**

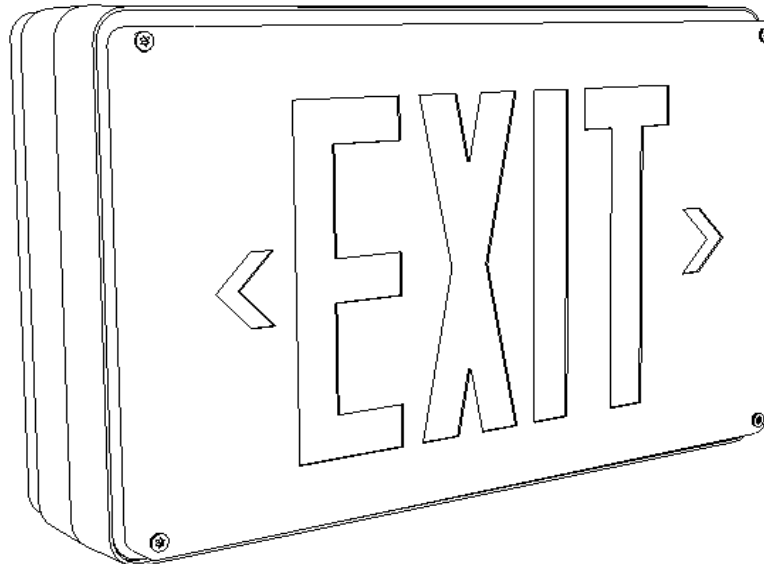
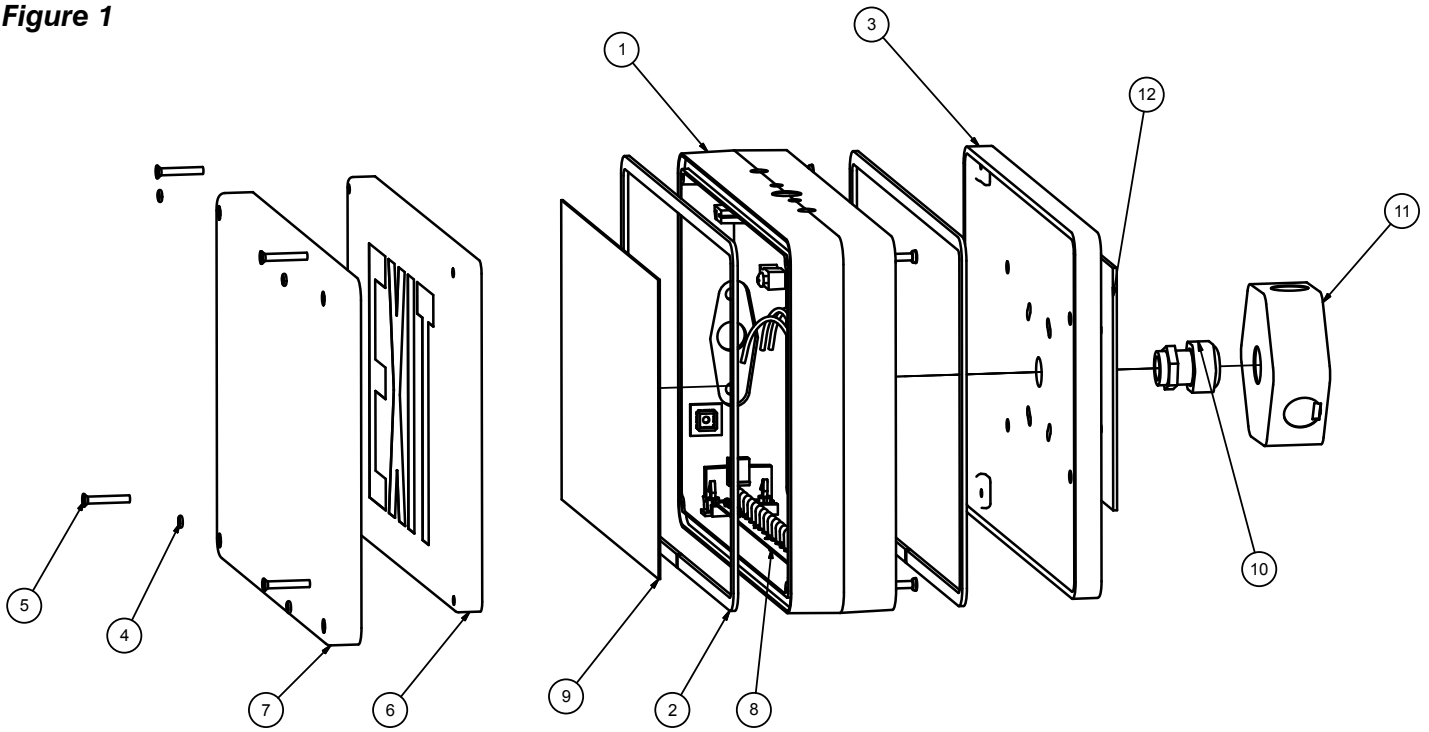


Figure 1



WALL MOUNT INSTALLATION:

1. Remove torx screws (5) to release clear cover (7). There are 4 O-rings (4) inserted to the clear cover screw holes. Release the stencil (6) from the clear face cover (7). Knockout to remove the chevron as necessary from the stencil. Peel off backing paper from the tape on the back of the stencil (6) and carefully position and stick the colored fibre to the stencil.
2. Remove the back plate (3) knockouts using applicable knockout holes. Install the liquid tight bushing into the large centre knockout with the lock nut (10). Feed the lead wires through the bushing and tighten to complete the liquid tight seal and install the wall gasket then secure the back plate and housing to the wall. Connect wire per wiring diagram provided. **Caution! Failure to insulate unused wire may result in a shock hazard or unsafe condition as well as equipment failure.**
3. Replace faceplate, clear cover and torx screws.
4. Apply power.

PARTS LIST

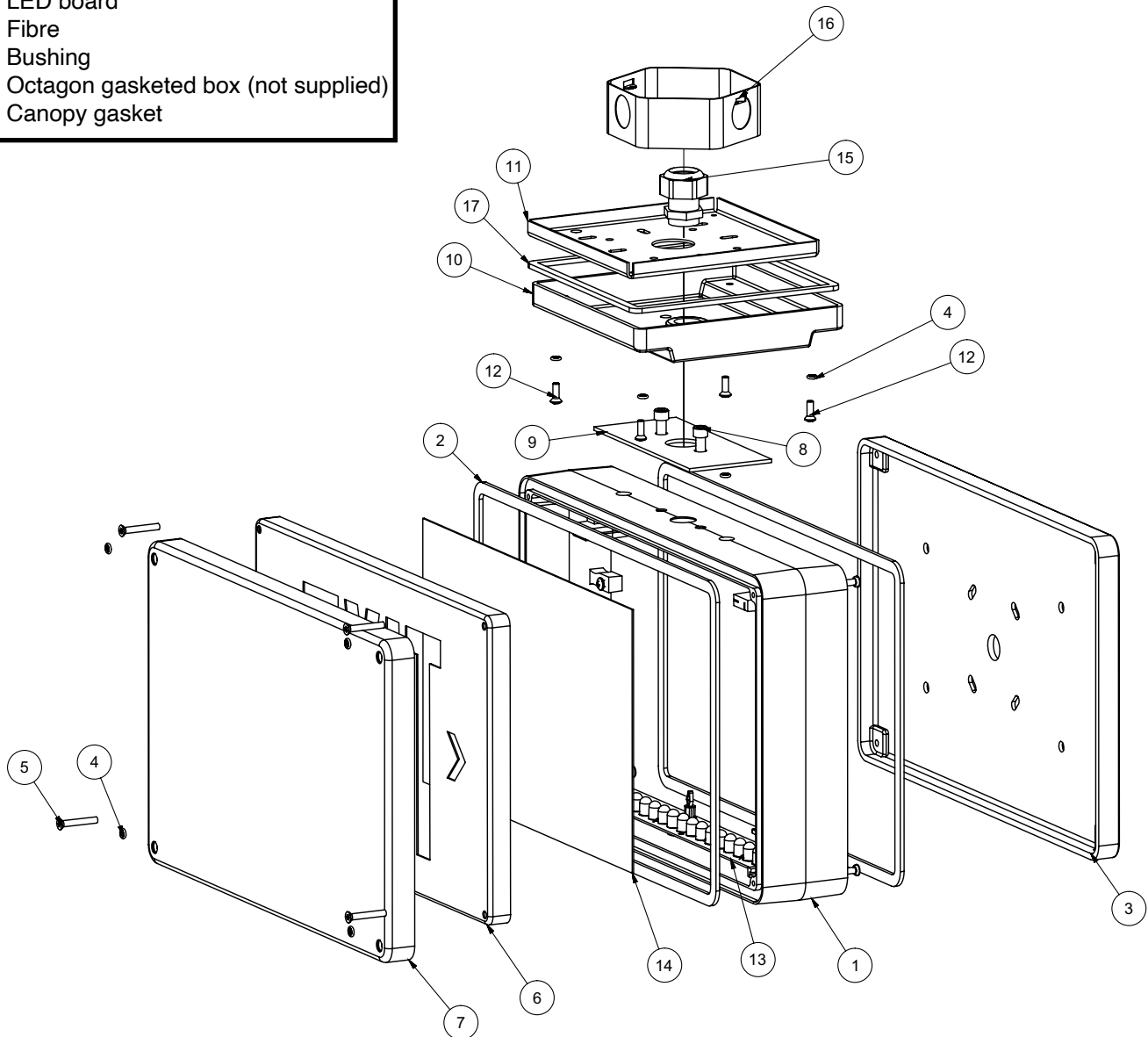
1. Die-cast aluminum frame
2. Frame gasket
3. Die-cast backplate
4. O-ring
5. Torx tamper proof screws
6. Stencil
7. Clear Faceplate
8. LED board
9. Fibre
10. Bushing
11. Octagon gasketed box
(not supplied)
12. Mounting Gasket

PARTS LIST

1. Die-cast aluminum frame
2. Frame Gasket
3. Die-cast backplate
4. O-ring
5. Torx tramper proof screws
6. Stencil
7. Clear faceplate
8. 1/4 - 20 hex socket cap screw
9. Canopy gasket
10. Canopy
11. Canopy base
12. Mounting screws
13. LED board
14. Fibre
15. Bushing
16. Octagon gasketed box (not supplied)
17. Canopy gasket

CEILING/END MOUNT INSTALLATION

Figure 2



CEILING/END MOUNT INSTALLATION

1. Remove torx screws (1) to release clear cover (3). There are 4 O-rings (2) inserted to the clear cover screw holes. Release the stencil (6) from the clear cover (3). Knockout to remove the chevron (5) as necessary from the stencil. (3) Peel off backing paper from the tape on the back of the stencil and carefully position and stick the colored fibre to the stencil.
2. To install canopy kit (13), knockout on the top (for ceiling mount) or the knockout on the side (for end mount). Position canopy gasket (19) and the canopy (20). Install the cap screws (22) and the washers (16). Attach canopy nuts (15) and then tighten. Install the liquid tight bushing. Feed the lead wire through the bushing and tighten to complete the liquid tight seal. Install the canopy mounting base (23) to the octagon box (25) (not supplied). Connect wires per diagram provided. Caution! Failure to insulate unused wire may result in a shock hazard or unsafe condition as well as equipment failure. The mounting base can be rotated for the desired mounting angle. Install the canopy (20) to the mounting base (23) with the supplied screws (18).
3. Apply power.

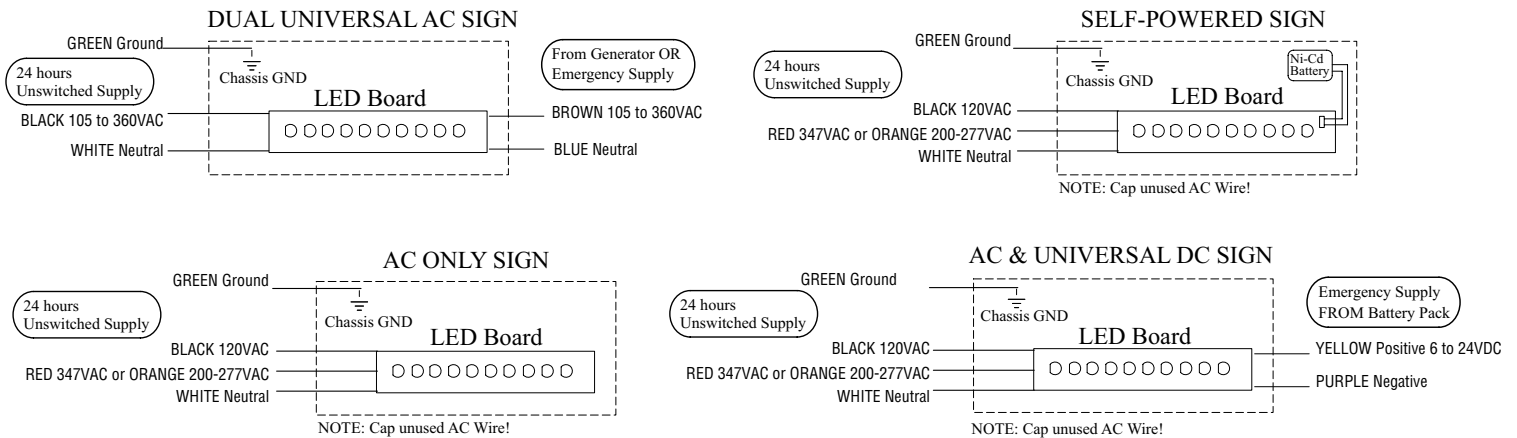
MAINTENANCE

The equipment is to be tested once a year in accordance with the code requirements. The equipment is to be repaired whenever the equipment fails to operate as intended during the duration test. Written records of test results and any repairs made must be maintained. Evenlite Inc. strongly recommends compliance with these code requirements.

The lamps listed herein when used according to the instructions with this unit are in accordance with the requirements of CSA Standard C22.2, No. 141 – Unit Equipment for Emergency Lighting.

NOTE: The servicing of any parts should be performed by qualified service personnel only. The use of replacement parts not furnished by the manufacturer may cause equipment failure and will void the warranty.

WIRING DIAGRAM



PENDANT MOUNT INSTALLATION

1. Remove TORX screws to release clear cover. There are 4 O-rings inserted to the clear cover screw holes. See Fig. 1. Release the stencil from the clear cover. Knockout to remove the chevron as necessary from the stencil. Peel off backing paper from the tape on the back of the stencil and carefully position and stick the colored fiber to the stencil.
2. Knockout 3 holes on the top, enlarge center hole to $\frac{3}{4}$ ", position canopy gasket and the canopy. Install the cap screws and the washers, see Fig. 2.
3. Press liquid tight bushing tightly through the canopy and frame.
4. Install weather proof canopy to the stem, secured by lock nut, see Fig. 3
5. Install canopy base on the other side of the stem, sandwiched by 2 washers and lock nuts.
6. Extend unswitched 24-hour AC supply of rated voltage from junction box with a single cord with 3-18 AWG conductor stranded (supplied by others) through the stem. Leave at least eight (8) inches of slack wire
7. Pierce the liquid tight bushing by the cord (DO NOT OPEN TOO BIG), feed the cord through the bushing and the frame.
8. Secure the unit to the pendant stem with 4 screws, See Fig. 4
9. Connect the wire per diagram provided.
10. Replace the stencil, clear cover and secured by the TORX screws and O-rings.
11. Apply power.

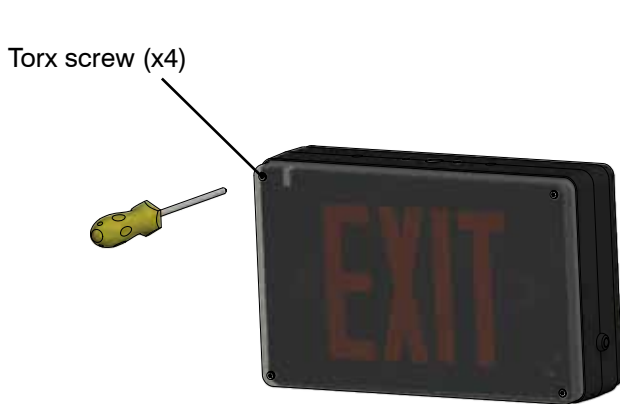


Figure 1

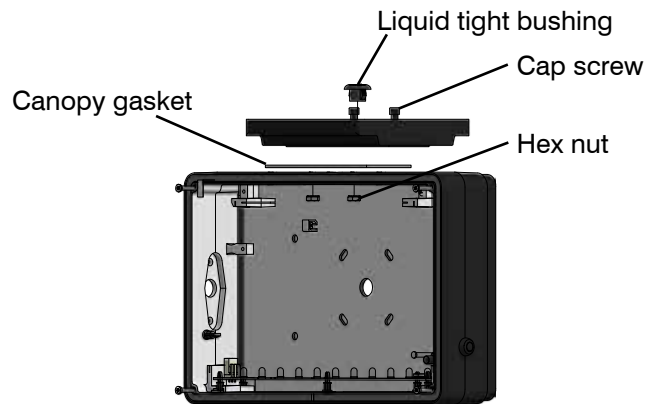


Figure 2

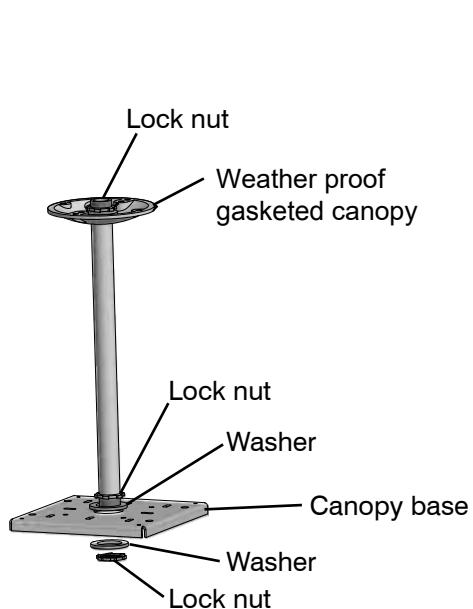


Figure 3

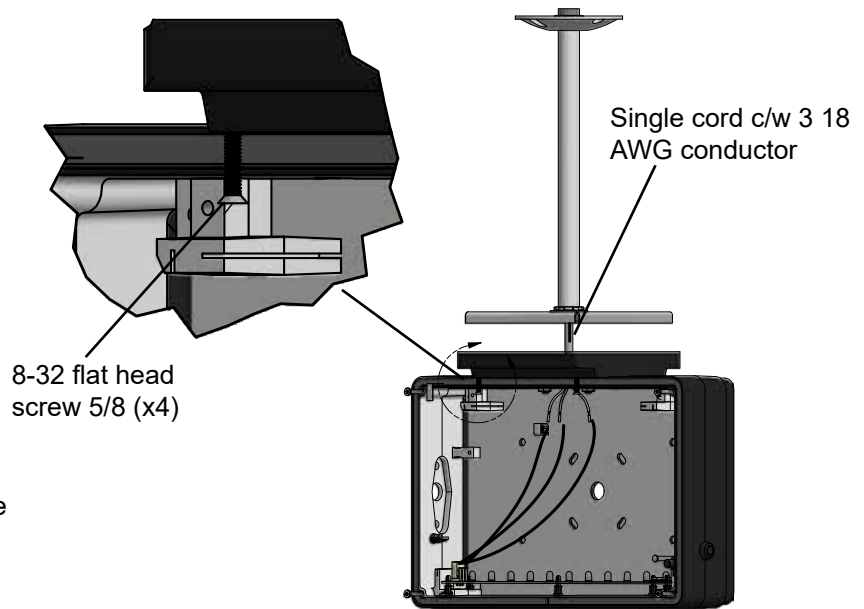


Figure 4