

PROJECT NAME:	APPROVED BY:
CATALOG NO:	TYPE NO:

SENTRY - CDW Series LED Exit Signs

Wet Location

VANDAL RESISTANT

The Sentry Wet Location provides the quality performance of the standard Sentry series enhanced with a solid 3/8" + Die Cast Aluminum housing and 1/8" thick impact resistant injection molded polycarbonate shield. Ideal for wet location and high abuse vandal resistant applications. CDW is sanitation approved by ETL for use in splash zones equivalent to NSF2.



Construction

- Formed internal cavity reflector provides ease of installation and maintenance together with perfectly even legend illumination
- Long-Life Neoprene gasket provides IP66 Wet Location Ratings, meets NEMA 4X requirements
- Cold weather option provides operation in temperature extremes of -20°C
- Heavy duty pressure die cast aluminum alloy with a minimum .420" wall thickness
- Finished in a matte black or durable white powder coat finish
- Vandal resistant, injection molded clear UV stabilized polycarbonate face affixed with tamper resistant stainless steel screws
- Field selectable Chevron indicators
- Hidden knock out access points and universal mounting pattern
- Low profile canopy with brass 3/4" nipple can be field installed for top or end mounting
- Suitable for indoor, outdoor, damp or wet locations

Illumination

- Maintenance free LED light source with 25+ years life expectancy, <5 watts power consumption all models
- Premium long life high temperature maintenance free Nickel Cadmium battery pack, 7°C to 45°C operating temperature range which provides the required 90 minute minimum operating time
- Test switch and AC present indicator light with an infrared testing function available

Electrical

- High intensity LED array provides exceptional energy efficiency and illumination
- Self-Test/ Self-Diagnostic circuitry included as standard on all "EM" models, monitoring critical functions with a monthly 5 minute discharge and a biannual and annual full system test
- Solid state constant current charger recharges the battery in 24 hours
- Fully automatic operation with solid state transfer relay
- 120 or 277 VAC field selectable input
- Electronic control circuit applies full wave, low ripple current to each LED thereby optimizing life and light output
- Circuitry includes - Zero current LVCO, Brownout sensing & Line-Latch

Certification

- Listed to UL 924, meets or exceeds NFPA 101 Life Safety Code, NFPA 70-NEC and OSHA requirements
- California Energy Commission (CEC) Title 20 Compliant



Warranty

- 3 Year Limited Warranty

Note: It is the installer's responsibility to ensure the water tight integrity of the housing for any field installed options or holes drilled for conduit entry.

ORDERING GUIDE - CDW

Example: CDW-EM-R-1-CN-BB-CT

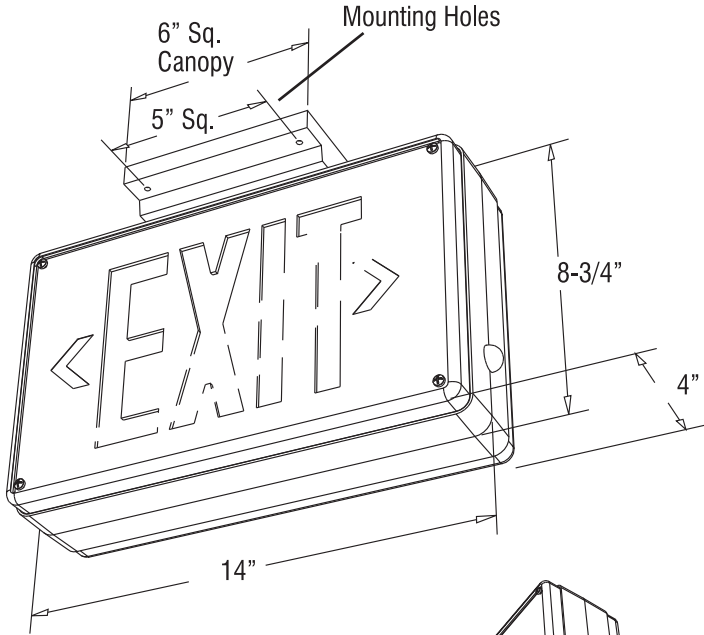
Model	Operation	Letter Color	No. of Faces	Body Color	Mounting	Options
CDW	AC AC Only 120/277 VAC	R Red G Green	1 Single 2 Double	BB All Black WW All White	CN Canopy Mounting Kit	CT Cold Temperature Operation (EM models only Specify AC input Voltage, -20° C)
	EM Battery Backup with Self-Test/ Self-Diagnostics		U Single or double		PA 12" Hang Straight Pendant PB 24" Hang Straight Pendant PC 36" Hang Straight Pendant PD 48" Hang Straight Pendant SM Stanchion Mount (1-1/4" Pipe)	F Flash in Emergency Mode (EM models) 2H Two Hour Battery Run Time RT Infrared Remote Testing Receiver Option (specify AC input voltage) TLRT-HHC Infrared Remote Hand Held Transmitter (order separately) DK Two Circuit Input (AC models only, specify input voltage) CW Custom Wording (consult factory)
CDW						

Fill in fields from categories above and complete type and part number.

Type Number:

Full Part Number:

Sentry Wet Location LED Exit Signs CDW Series



Top and End Mounting
(Field Installed)

