

SLIMLINE - Self-Luminous Exit Sign REC

Recessed

Slimline Recessed provides a dedicated recessing module for ease of installation. A tough 3/8" thick polycarbonate shield protects the assembly making it ideal for low level and vandal resistant applications. Slimline recessed is recyclable at the end of it's useful life.

Construction

- Operating temperature range of -55°C to 80°C
- Corrosion resistant brushed aluminum recessing pan
- Aluminum stencil face with field selectable chevron directional indicators
- Polycarbonate shield seals lamp compartment and prismatic refractor lens
- Standard trim finish is brushed aluminum. Also available in satin white or black enamel
- 3/8" clear polycarbonate face shield provided with mounting hardware
- Recyclable at the end of it's useful life

Electrical

- Non-electrical, internally illuminated by sealed tritium gas light sources
- 100% reliable, maintenance free and always on. Requires no external light source, electrical power, wiring or batteries
- As there is no electrical ignition source, the Slimline is suitable for use in hazardous atmospheres and damp locations. Meets NEC Article 500, Class 1, 11 and 111 conditions

Illumination

- Green light output for maximum visibility in emergency conditions
- 6" high letters with 3/4" stroke available with Red, Green, or Black background
- 100 foot visibility rating
- Available in service life ratings of 10 or 20 years

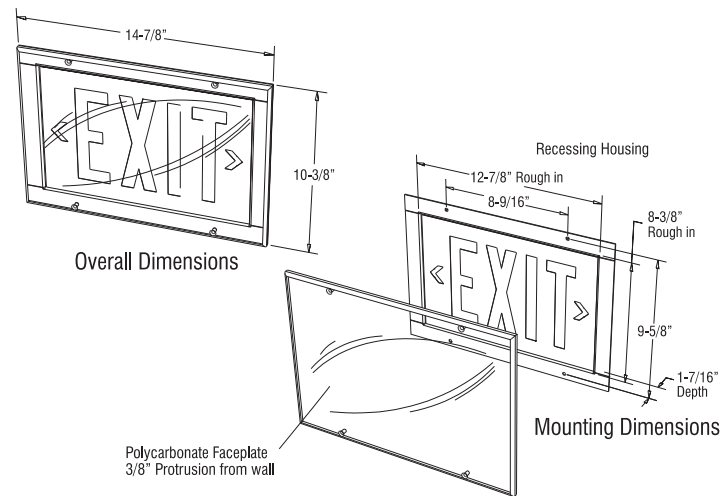
Certification

- Tested, approved and listed by Underwriters Laboratories to UL 924, and meets the requirements of NFPA 101 Life Safety Code



Warranty

- Limited warranty for the rated life of the product



ORDERING GUIDE - REC

Example: REC-10-W-W-GL

Model	Service Life	Face Color	Frame Color	Options
REC Slimline Recessed	10 10 Years 20 20 Years	R Red G Green B Black	BA Brushed Aluminum B Black W White	N/A
REC				

Fill in fields from categories above and complete type and part number.

Type Number:

Full Part Number: