

PROJECT NAME:	APPROVED BY:
CATALOG NO:	TYPE NO:

SOVEREIGN - LED Exit Signs

Chicago Approved Architectural Edgelit

EYE APPEAL

Sovereign LED edgelit exit signs are approved for use in the City of Chicago and set the standard for architectural appeal; always enhancing their surroundings and pleasing even the most discerning eye. Subtle lines and soft curves create a distinctive “floating” edgelit look. Quality construction includes precision die cast aluminum housings with a unique, laser-formed thin acrylic legend.

The Sovereign has been designed with the latest high efficiency LED light sources to provide vivid pronouncement of its exit legend with exceptional uniformity and luminance levels. Unique City of Chicago approved field installable directional arrows or can be factory installed. Engineered for reliability and ease of installation, Sovereign comes in many cost-effective configurations offering superlative quality, performance, and aesthetics.

- Field applied directional arrows reduce inventory to just single and double face signs
- Three hour run time is standard
- Both legend characters and background are illuminated
- Excellent uniformity: legend 1.4:1, avg. 6cd/m², Background 2.5:1, avg. 31 mcd/m²
- Last to assemble snap in lens
- <3 watt power consumption



Pictured with optional Flat Panel



ORDERING GUIDE – SOC

Example: SOC-EM-3UA-BA-RC-SD-FT

Model	Operation	Legend Code Number	Trim/Housing Color	Mounting	Options
SOC	AC AC Only	Single Face	BA Brushed Aluminum (standard)	Standard Mounting	DL Damp location listed
	EM NiCad Battery Backup	Double Face	WH White Finish	RC Recessed Ceiling	SD Self-Test / Self-Diagnostics (EM Models Only)
		3 Exit (No Arrow)	BK Black Finish	RP RC w/Preshipped backbox	F Flash in Emergency Mode (EM Models) or continuous Flash in AC models
		3UA Exit (w/Field Installed Universal Arrow Kit)	BR Brushed Brass Painted Finish	SC Surface Ceiling	FZ F Option including Buzzer
		6 Exit (Right Arrow)	CC Custom Color (specify)	SW Surface Wall	FA Flash in AC and Emergency mode on 12-24V (AC or DC) normally-off fire alarm signal (Available for AC and EM models)
		9 Exit (Left Arrow)		SE Surface End	FB FA Option including Buzzer
		12 Exit (Double Arrow)		Optional Mounting	DK Two Circuit Input, 120 or 277 (specify Voltage AC Models Only)
		2 Stairs (No Arrow)		MU Mullion Mount	FP Flat Panel (no curve on panel bottom)
		2UA Stairs (w/Field Installed Universal Arrow Kit)		PA 12" Swivel Pendant Mount	FT Flat Trim for Recessed Ceiling Mount
		5 Stairs (Right Arrow)		PB 24" Swivel Pendant Mount	IN Inverted Legend – Use with Mullion Mount
		8 Stairs (Left Arrow)		PC 36" Swivel Pendant Mount	IR Self-Diagnostics with Infrared remote Testing (EM models only)
		11 Stairs (Double Arrow)		PD 48" Swivel Pendant Mount	TLRT Infrared hand held Transmitter (order separately)
SOC					

Fill in fields from categories above and complete type and part number.

Type Number:

Full Part Number:

Sovereign LED Exit Signs

Construction

- Plenum rated back-box can be pre-shipped for early installation
- Contoured crystal clear laser formed edgelit lens
- Lens Panel is "Last-to-Assemble" snap-in for versatility and ease of installation
- Field applied directional arrow kit includes locating template, arrow adheres to lens to prevent removal
- Field applied bidirectional arrows reduce inventory to just single or double face
- Precision pressure die cast aluminum legend holder, trim and surface mount housing
- Quality brushed aluminum sealed finish is standard, optional White, Black, Brushed Painted Brass finishes available, consult factory for custom finishes
- Hinged retaining springs eliminate exposed mounting hardware on recessed model
- Modular design provides ease of installation and matching configurations
- Low profile recessed housing is suitable for old or new work installations and is Type IC Rated
- Recessed ceiling back-box features universal adjustable mounting brackets with quick-fit retaining clips to suit most ceilings
- Slimline low profile surface mount housing eliminates need for recessing box in wall mount applications

Electrical

- Diagnostic Battery Monitoring on all "EM" models
- Maintenance free LED Light source with 25+ years life expectancy
- Red letters are 6" high with 3/4" stroke, power consumption is < 3 Watts for all models
- Battery Diagnostic Circuit monitors battery status, detects cell failure and issues alert of reduced capacity and the need to replace battery

- Unique electronic driver circuit provides current control and protection ensuring optimum LED efficiency and life
- Universal 120/277 VAC field selectable input. All versions feature fully integral electronic components
- Premium long life high temperature rated, fused Nickel Cadmium battery, operating temperature 10° to 40°C
- Recessed AC Indicator Test Switch
- Brownout sensing assures emergency illumination during periods of low line voltage
- Self-compensating solid state Constant Current Charger provides extended float life and rapid recharge
- Zero current LVCO ensures positive charge acceptance following extended discharge

Illumination

- Refractive light guide engineered to optimize LED utilization and illumination uniformity
- Both the legend and characters are illuminated with excellent legend uniformity 1-4:1 background, 2.5:1 Avg. 31cd/m², avg. 6cd/m²
- Available with a range of information signage or custom graphics to order

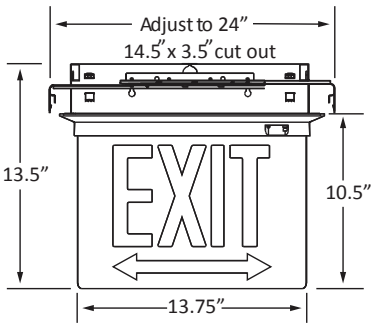
Certification

- City of Chicago approved with field-installable universal arrows
- UL Listed 3 hour emergency duration standard
- City of Chicago approved, UL 924 Listed by Underwriters Laboratories and meets or exceeds all performance standards as required by NFPA 101, NFPA 70-NEC and OSHA

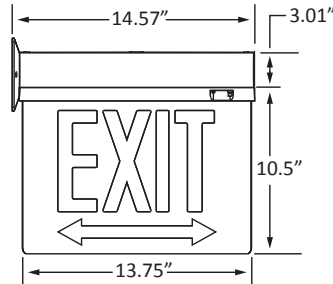


Warranty

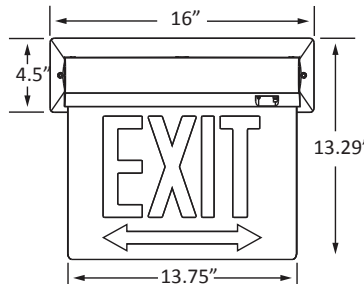
- 5 year limited warranty



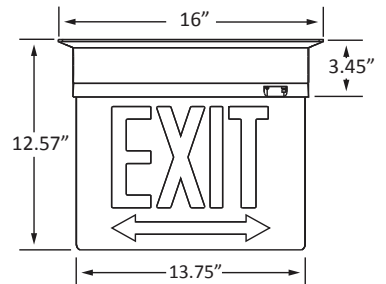
RECESSED CEILING MOUNT



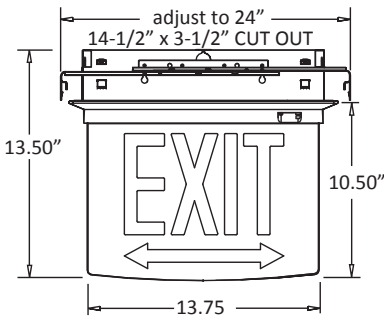
END/SIDE MOUNT



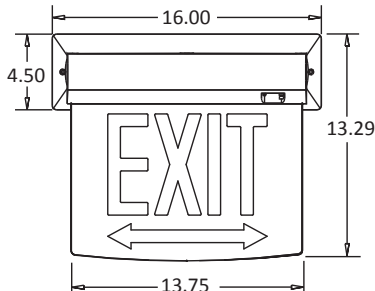
BACK MOUNT



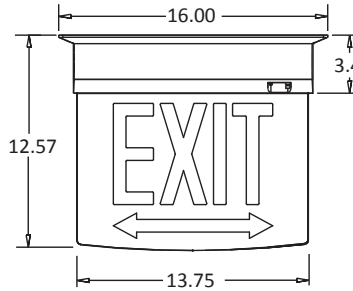
TOP MOUNT



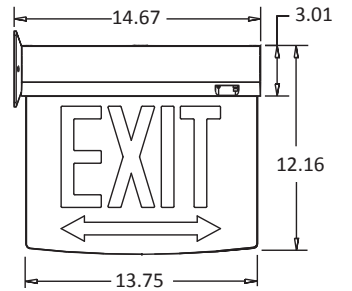
RECESSED CEILING



SURFACE WALL



SURFACE CEILING



SURFACE END

