

SOVEREIGN - Custom Graphics

LED Edgelit Exit Sign

Sovereign sets new standards in architectural LED custom graphic signs. Subtle lines and gentle curves blend to create a classic "floating" edgelit appearance. Sovereign is sure to enhance its surrounding decor and to appease the discerning eye while conveying your chosen graphic.

Quality construction includes precision die cast aluminum housing with a unique, crystal clear laser formed acrylic light guide. The Sovereign utilizes the latest high efficiency light sources to provide vivid pronouncement of the legend with exceptional uniformity and is available in four mounting configurations to meet your application needs.

A recent addition to the Sovereign custom is the 'Phantom' legend illumination wherein the legend is virtually invisible when the fixture is off, Illuminating only when AC power is present. This method is ideal for warning signs where it is apparent the sign is "On" or "Off". The legend colors can be Red, Green or Blue, while the background is always White. For continuously illuminated signs the standard stencil legend version is recommended.

Construction

- Light guide is "Last to Assemble" snap in for versatility and ease of installation
- Quality brushed aluminum sealed finish is standard, optional White, Black, Brass painted finishes available to order
- Modular design provides ease of installation and matching configurations
- Low profile ceiling recessed housing is suitable for old or new work installations and is Type IC rated.
- Housing is provided with universal adjustable mounting brackets with quick fit retaining clips to suit most ceiling types.
- Pendant suspension mounting & specialty mounts available
- Slimline low profile surface mount housing eliminates need for recessing back box in wall mounting applications

Electrical

- Maintenance free LED light source with 25+ years life expectancy
- High intensity LED array provides exceptional energy efficiency with less than 3 watts power consumption.
- Electronic control circuit applies full wave, low ripple current to each LED thereby optimizing life and light output. A diagnostic self-compensating constant current charger circuit monitors the condition of the battery pack and indicates via a flashing LED when battery needs replacing
- Universal 120 or 277 VAC field selectable input. Other voltages are available to order. All versions feature fully integral electronic components
- Available in AC only operation (AC) or self contained battery back up (EM)models



Surface Wall Mount with NEW Phantom Legend



Recessed Ceiling Mount



Surface Ceiling Mount



Surface End Mount



6" ISA

- Self-Diagnostic Battery monitoring on all 'EM' models
- 3 Hour battery backup runtime with Premium long life high temperature fused Nickel Cadmium battery pack
- Circuitry includes - Zero current LVCO, Brownout sensing & Line-Latch

Illumination

- Available with Phantom illumination (legend not visible in the off mode) or Stencil illumination for always visible legends and graphics
- White LED light source available for multi-color graphics
- Refractive light guide is engineered to optimize LED utilization and illumination uniformity

Certification

- California Energy Commission (CEC) Title 20 Compliant

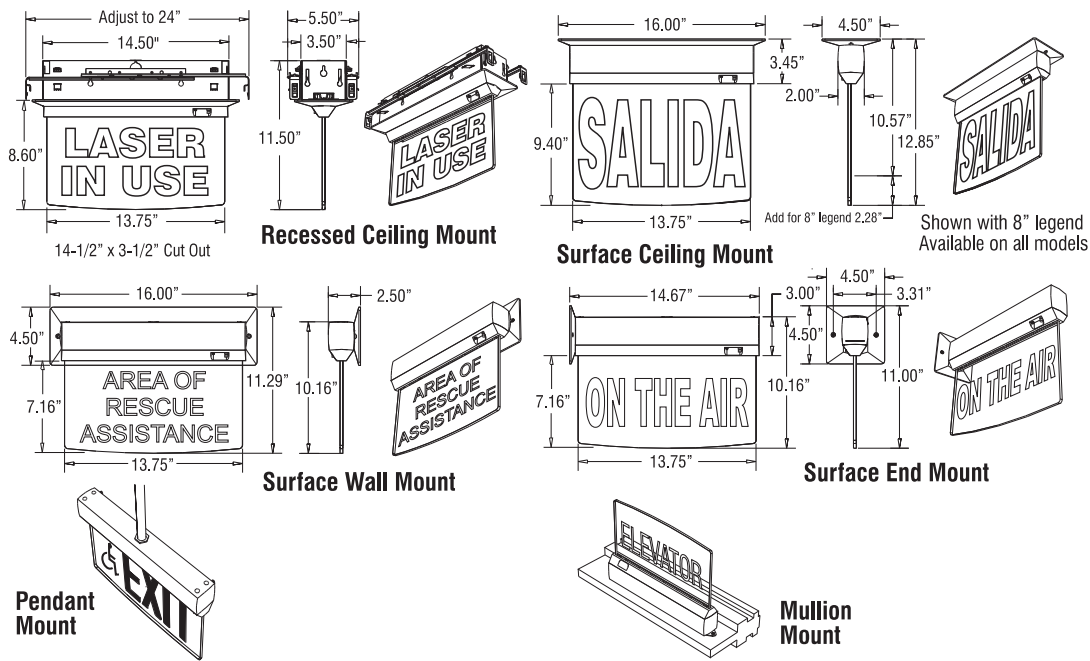


Warranty

- 5 Year Limited Warranty

Power Consumption				
	Type	Volts	Max	Power
RED	AC Only	120 / 277	1.5	.70
RED	Battery Backup	120 / 277	2.5	.70
RED	Battery Backup with Remote	120 / 277	3.0	.73
GREEN	AC Only	120 / 277	2.3	.70
GREEN	Battery Backup	120 / 277	3.0	.76
GREEN	Battery Backup with Remote	120 / 277	4.0	.81

Sovereign Custom Graphics



ORDERING GUIDE – SOV

Example: SOV-EM-6-R-CG-IL-BA-RC-SD “Specify Graphics”

Model	Operation	Panel Size	Letter Color	No. of Faces/ Background	Illumination Method	Trim/Housing Color	Mounting	Options	Graphics/Image
SOV	AC AC Only 120/277 VAC	6 7” Overall Height	R Red G Green B Blue	1C Single Face, Clear Background (standard)	IL Illuminated Legend Stencil PI* Phantom Illumination Legend appears visible only when on <i>Note: PI option is only available with 1/2 W white panel=</i>	BA Brushed Aluminum (standard) WH White Finish BK Black Finish BR Brushed Brass Painted Finish CC Custom Color (specify)	Standard Mountings RC Recessed Ceiling SC Surface Ceiling SW Surface Wall SE Surface End Optional Mountings MU Mullion Mount PA 12” Swivel Pendant Mount PB 24” Swivel Pendant Mount PC 36” Swivel Pendant Mount PD 48” Swivel Pendant Mount	IN Inverted Legend – Use with Mullion Mount DL Damp location listed F Flash in Emergency Mode (EM Models) or continuous Flash in AC models FZ F Option including Buzzer FA Flash in AC and Emergency mode on 12-24V (AC or DC) normally-off fire alarm signal (Available for AC and EM models) FB FA Option including Buzzer DK Two Circuit Input - Specify Input Voltage (AC Models only) EU Euro Legends (Consult factory for full range) VA Other Input Supply Voltage (consult factory) SD Self-Test / Self- Diagnostic IR Self-Diagnostics with Infrared Remote Testing (EM models only) TLRT Infrared Hand Held Transmitter (order separately)	O1 X-RAY IN USE <i>See page 3 for more options</i> C Custom Letter AR Right AL Left CG Specify Required Graphic At End
	EM Battery Backup Emergency	8 9” Overall Height	W Other Colors	1M Single Face, Mirror Background 2M Double Face, Mirror Background (Mirror simulates clear background for double face exits) 1W Single Face, White Background 2W Double Face, White Background					
SOV									

Fill in fields from categories above and complete type and part number.

Type Number:

Full Part Number:

NOTE: For signs requiring directional indicators, select C custom letter and specify graphic with chevron direction.



Sovereign Custom Graphics

NOTE: For signs requiring directional indicators, select C custom letter and specify graphic with chevron direction.

01 	02 	03 	04 	05 
06 	07 	08 	09 	10 
11 	12 	13 	14 	15 
16 	17 	18 	19 	20 
21 	22 	23 	24 	25 
26 	27 	28 	29 	30 
31 	32 	33 		

