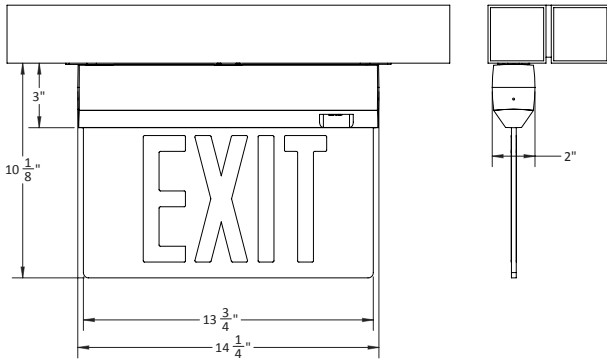
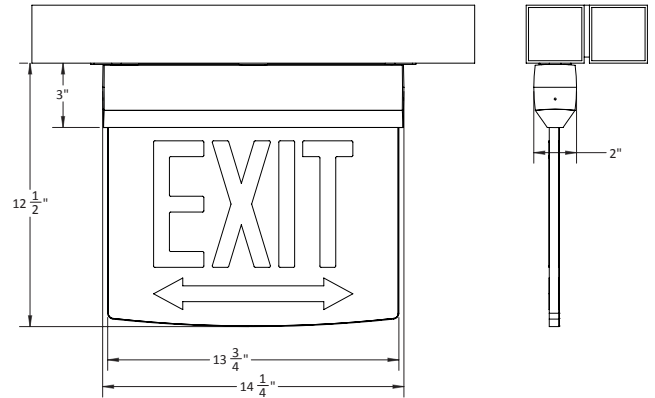


PROJECT NAME:	APPROVED BY:
CATALOG NO:	TYPE NO:

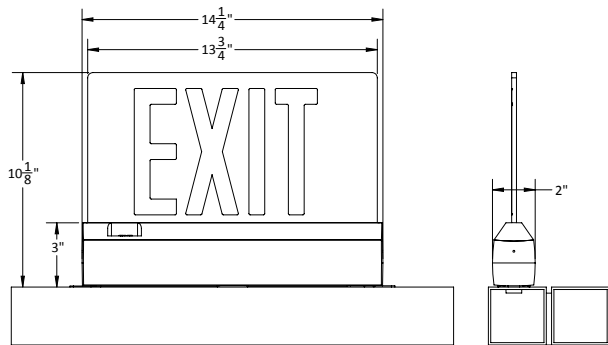
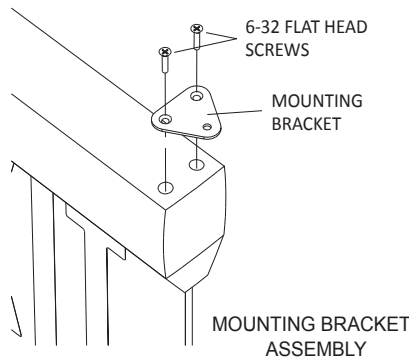
SOVEREIGNII MULLION MOUNT



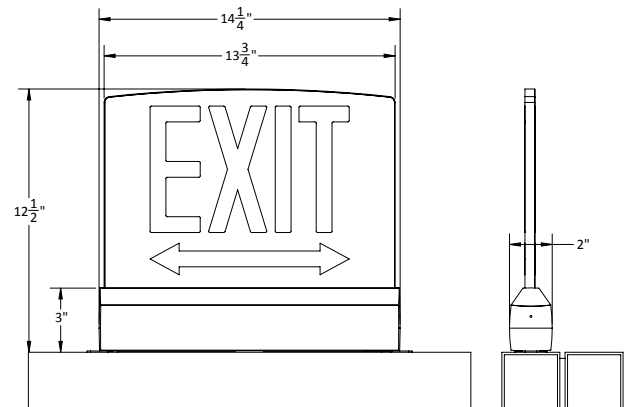
SOVII Top Surface Mount



SOCII/SOVII-NR Top Surface Mount



SOVII Bottom Surface Mount Inverted Legend



SOCII/SOVII-NR Bottom Surface Mount Inverted Legend

Example: SOVII-EM-R-1C-BA-MM "Bottom Surface Mount Inverted Legend"

Fill in fields from categories above and complete type and part

Type Number:	Full Part Number:
--------------	-------------------

SOVEREIGNII-MM - 10/26/23