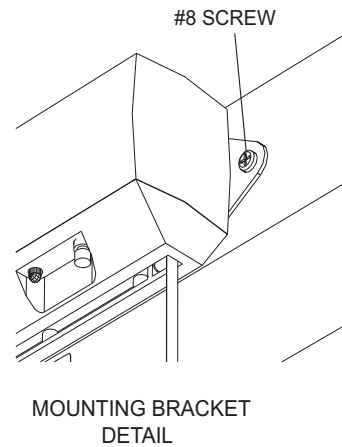
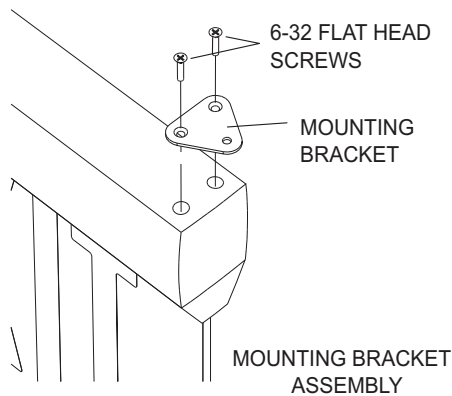
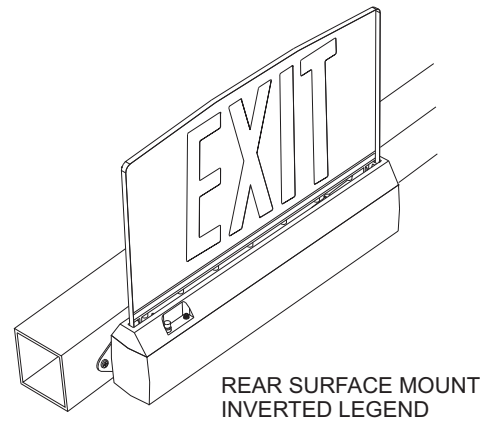
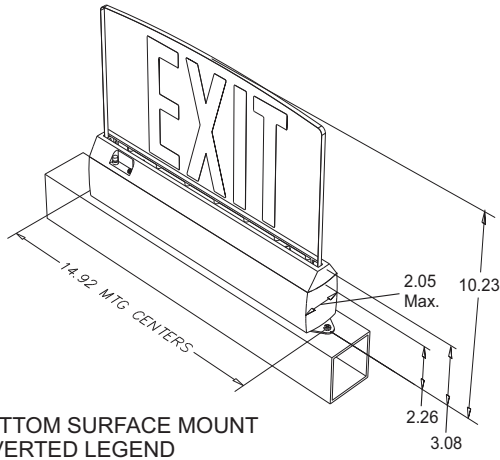
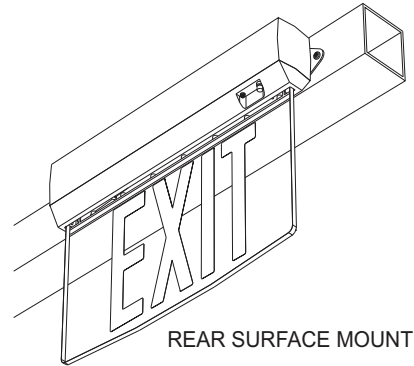
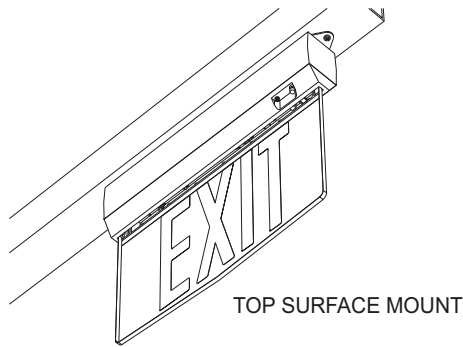


PROJECT NAME:	APPROVED BY:
CATALOG NO:	TYPE NO:

SOVEREIGN MULLION MOUNT



Example: SOV-EM-R-1C-BA-MM "Rear Surface Mount Inverted Legend"

Fill in fields from categories above
and complete type and part number.

Type Number:

Full Part Number:

SOVEREIGN-MM - 4/5/21