

# SOVEREIGN - EXPLOSION PROOF

## LED Edgelit Exit Sign

Sovereign "SXP" sets new standards in Hazardous Location Exit signs as the first explosion proof self-contained emergency LED edgelit Exit or Custom Graphic sign. The classic Sovereign curved legend panel blends to create a classic "floating" edgelit appearance. Quality construction includes precision cast aluminum housing with a unique, crystal clear laser formed acrylic light guide. The Sovereign utilizes the latest high efficiency light sources to provide vivid pronouncement of the legend with exceptional uniformity.



### Construction

- Quality Copper-free cast aluminum housing finished with gray epoxy powder coat
- 1/2" NPT conduit hubs
- Available in Wall, Pendant or End Mount configurations

### Electrical

- Maintenance free LED light source with 25+ years life expectancy
- Electronic control circuit applies full wave, low ripple current to each LED thereby optimizing life and light output. A diagnostic self compensating constant current charger circuit monitors the condition of the battery pack and indicates via a flashing LED when battery needs replacing
- Universal 120 or 277 VAC field selectable input. Other voltages are available to order. All versions feature fully integral electronic components
- Available in AC only operation (AC) or self contained battery back up (EM) models
- Self-Test / Self-Diagnostic circuit with infrared remote testing available
- Circuitry includes – Zero current LVCO, Brownout sensing & Line-Latch

### Illumination

- Refractive light guide is engineered to optimize LED utilization and illumination uniformity
- High intensity LED array provides exceptional energy efficiency with less than 3 watts power consumption

- Custom Graphic signs available to order, also available with Phantom illumination (legend not visible in the off mode) or Stencil illumination for always visible legends and graphics

### Certification

- UL listed 3 Hour battery backup runtime with Premium long life high temperature fused Nickel Cadmium maintenance free battery pack
- Meets UL 924, NFPA 101 Life Safety Code, NFPA 70-NEC, and OSHA requirements

### Warranty

- 3 Year Limited Warranty

Power Consumption					
	Type	Volts	Max Watts	Power Factor	Temperature Rating
RED	AC Only	120 / 277	1.5	.70	10° C Min. / 55° C Max.
RED	Battery Backup	120 / 277	2.5	.70	10° C Min. / 55° C Max.
GREEN	AC Only	120 / 277	2.3	.70	10° C Min. / 40° C Max.
GREEN	Battery Backup	120 / 277	3.0	.76	10° C Min. / 40° C Max.

### ORDERING GUIDE – SXP

Example: SXP-EM-R-1W-AR-WP

Model	Operation	Legend Size/Letter Color	Faces/Background	Chevron Direction	Mounting	Options
SXP	AC AC Only 120/277 VAC EM Battery Backup Emergency	R	RED – Standard 6" EXIT	1W Single Face, White Background 2W Double Face, White Background	UC Field Installed Adhesive Chevron Indicators AR Arrow Right <EXIT> AL Arrow Left <EXIT> AA Double Arrow <EXIT> LR Arrow Left/Arrow Right <EXIT/EXIT> (Double Face units only)	EU Euro Legends (Consult factory for full range) VA Other Input Supply Voltage (specify Volts and Frequency (Consult Factory)) SD Self-Diagnostic (EM Models)
		G	GREEN – Standard 6" EXIT			
		C	Custom Graphics (Specify)			
SXP						

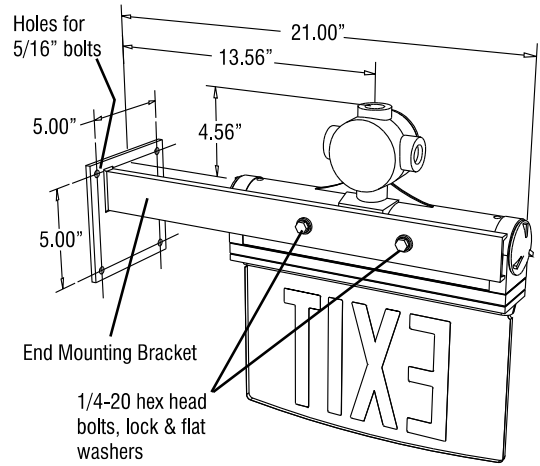
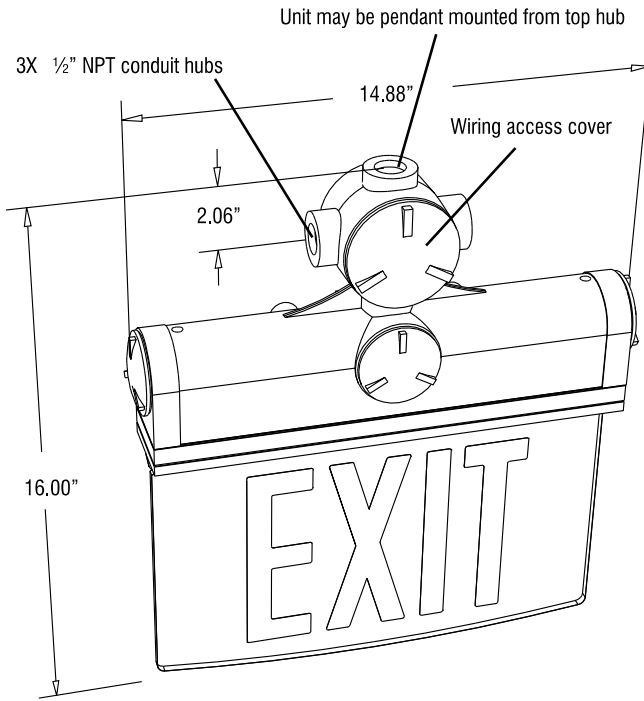
*\*Note: Factory installation of Chevrons is recommended for Double Face Signs*

Fill in fields from categories above and complete type and part number.

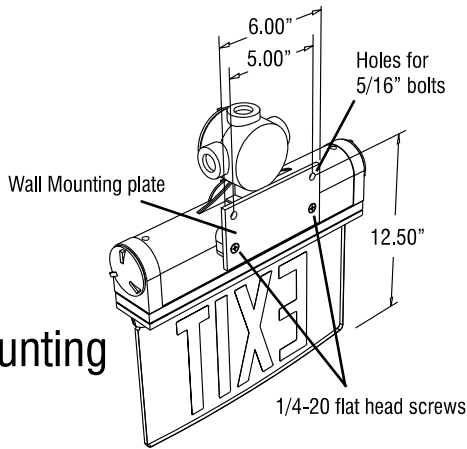
Type Number:

Full Part Number:

# Sovereign Explosion Proof LED Edgelit Exit Sign



End Mounting



Wall Mounting

**Code Compliance, meets or exceeds requirements for NFPA 101:**

Class I, Division 1,  
Groups C & D

Class I Zone 2,  
Groups IIA, IIB + H2 & IIC

Class I, Division 2,  
Groups A, B, C & D

Marine Outside Type

Class II, Division 1,  
Groups E, F & G

Temperature Class (T-Rating)  
- T6

Class III, Division 1

UL 1598A, 844, 924

Class I, Zone 1,  
Groups IIA, IIB

IP65