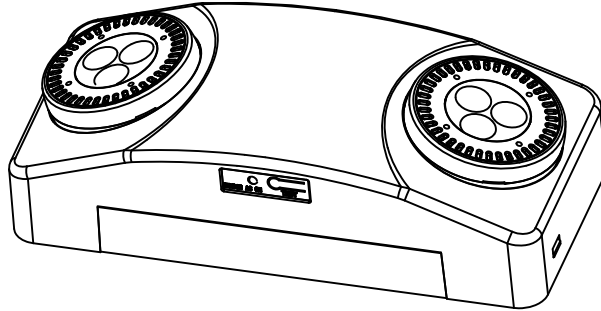


INSTALLATION INSTRUCTIONS FOR LED EMERGENCY LIGHT

H3 Group Inc. TEBL / BUG/ ELMRLED Series

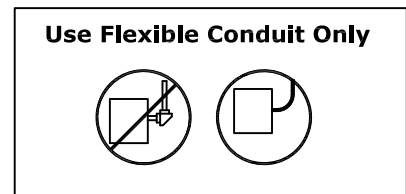


IMPORTANT SAFEGUARDS READ AND FOLLOW ALL SAFETY INSTRUCTIONS

When using electrical equipment, basic safety precautions should always be followed including the following.

1. Disconnect power at fuse or circuit breaker before installing or servicing.
2. Do not use outdoors.
3. Do not mount in hazardous locations, or near gas or electric heaters.
4. Do not let power cords touch hot surface.
5. Equipment should be mounted in locations and at heights where it will not be subjected to tampering by unauthorized personnel.
6. The use of accessory equipment not recommend by the manufacturer may cause an unsafe condition.
7. Do not use this equipment for other than intended use.
8. All servicing should be performed by a qualified personnel only.
9. Allow battery to charge for 24 hours before first use.

SAVE THESE INSTRUCTIONS



MAINTENANCE

None required. Replace the batteries as needed according to ambient conditions. However, we recommend that the equipment be tested regularly in accordance with local codes.

OPERATION

1. Press the test button. The LED heads will turn on and the LED indicator will turn off. Release the test switch, LED indicator will turn on and the LED heads will turn off.
2. After full battery charge, LED indicator may blink for a short period.

TROUBLE SHOOTING GUIDE

If LED heads or LED indicator does not illuminate, check the following:

1. Check AC supply - verify that unit has 24 hours AC supply.
2. Unit is shorted or battery is not connected.
3. Charge for 24 hours then re-test
4. If above trouble shooting hints do not solve problem, consult factory for assistance.

Mounting Instructions

Wall Mount-Back Power Feed (see Fig 2)

1. Remove front cover by inserting flat blade screwdriver into slots (see Fig 1).
2. Remove appropriate knockout in back plate and mount back plate to J-box.
3. Knockout in center of back plate and feed wires through the hole.
4. Securely backplate to J-box.
5. Connect the fixture wires to the power supply wires using the wire nuts provided. Connect the white wire to neutral, connect the black wire to the hot lead. Cap the unused lead. Press the wires into the J-box (Refer to Wiring diagram below).
6. Connect remote wires if this item with remote capability. Refer to below instruction for remote wires.
7. Plug battery male connector into battery female connector on PCBA.(see Fig 2).
8. Snap the front cover on the back plate.
9. Restore power and press test button. LED heads will turn on.
10. Adjust the lamp heads direction as needed.

Wall Mount (Top Power Feed) (see Fig 3)

1. Open front cover and remove top knockout on the top flange of fixture.
2. Secure conduit (or surface raceway) to knockout and feed wires.
3. Remove appropriate knockout on back plate and mount to wall.
4. Refer to above 5 - 10 steps in Wall Mount-Back Power Feed.

Ceiling Mount (see Fig 4)

Refer to above **Wall mount-Back Power Feed** instruction.

Here is some differences :

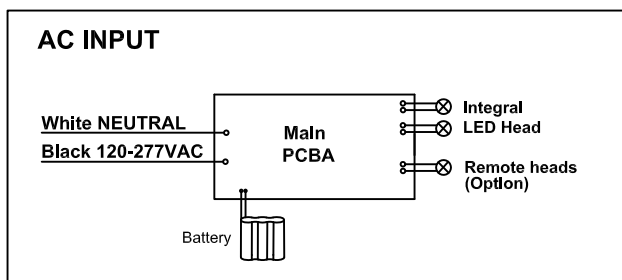
Mount back plate on the ceiling surface instead of wall surface.

Feed building AC supply wire through back plate then connect to fixture power supply wires using wire nuts provided.

Connecting Remote head (option)

Connect extended remote head wires to remote wires using wire nuts. yellow is positive(+), purple is negative(-). 9V 5.4W max. remote capability for this product.

Wiring Diagram



Open fixture

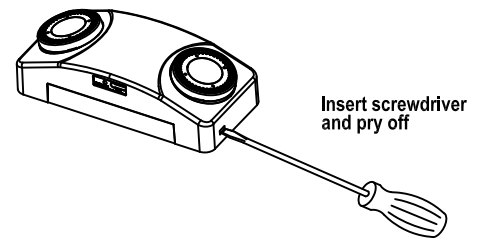


Fig 1

Wall mount-Back Power Feed

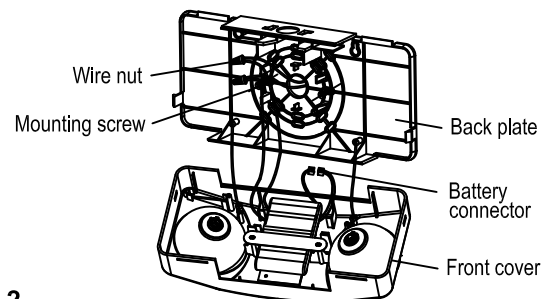


Fig 2

Wall mount-Top Power Feed

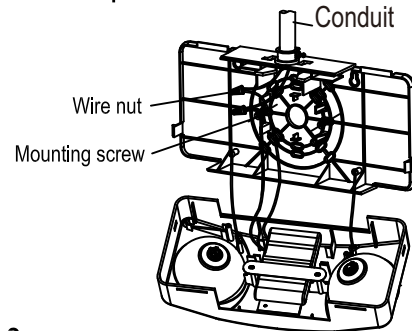


Fig 3

Ceiling mount-Top Power Feed

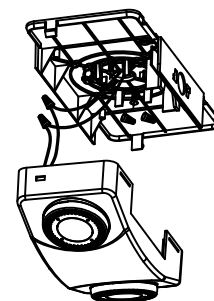


Fig 4

Mounting height

Standard Unit	Max. mounting height 35ft
High Output Unit	Max. mounting height 50ft