

INSTALLATION INSTRUCTIONS

LED INDUSTRIAL NEMA4X & NSF RATED REMOTE LAMPHEAD

IMPORTANT SAFEGUARDS

When using electrical equipment, basic safety precautions should always be followed including the following.

READ AND FOLLOW ALL SAFETY INSTRUCTIONS

1. Do not let power supply cords touch hot surfaces.
2. Do not mount near gas or electric heaters.
3. Turn off electrical power before and during installation.
4. Turn off electrical power before opening unit for maintenance or servicing.
5. Equipment should be mounted in locations and at heights where it will not readily be subject to tampering by unauthorized personnel.
6. The use of accessory equipment not authorized by the manufacturer may cause an unsafe condition.
7. Do not use this equipment for other than its intended purpose.
8. Servicing of this equipment should only be performed by qualified service personnel.

Note: UL recommended maximum mounting height for the single remote head is 19-ft and for the double remote head is 27-ft

J-BOX INSTALLATION

1. Extend DC of rated voltage nearby to the unit into recessed junction box (supplied by others). This circuit should NOT be energized/live at this time.
2. Remove the screw caps and loosen the two mounting lens screws until the lens is detachable. **Note:** Do not detach the two screws and washers from the lens' mounting holes.
3. Separate the lens from the fixture. Pull out the luminaire housing.
4. Break through the appropriate knockouts (K/O) in the back cover and route the supply leads through the hole in the middle.
5. Place the gasket provided, between the fixture's back cover and the junction box. Route the fixture supply wires through one of the circular holes in the center of the gasket.
6. Refer to the "Wiring Diagram" section and make electrical connections inside the junction box using the wire nuts provided.
7. Using the two screws provided and the previously removed K/O holes, mount the fixture's back cover to the surface over the recessed junction box. Tighten the screws enough to compress the gasket to ensure a good sealed joint.
9. Attach the luminaire housing back onto the fixture. Adjust the lamps to the desired position.
10. Reinstall the lens using the two screws and washers. Tighten the screws enough to compress the gasket to ensure a good sealed joint. Replace the two screw caps.
11. Apply power. If connected to an EMERGENCY LIGHTING fixture, allow the fixture to charge for 24 hours before testing it in emergency mode.

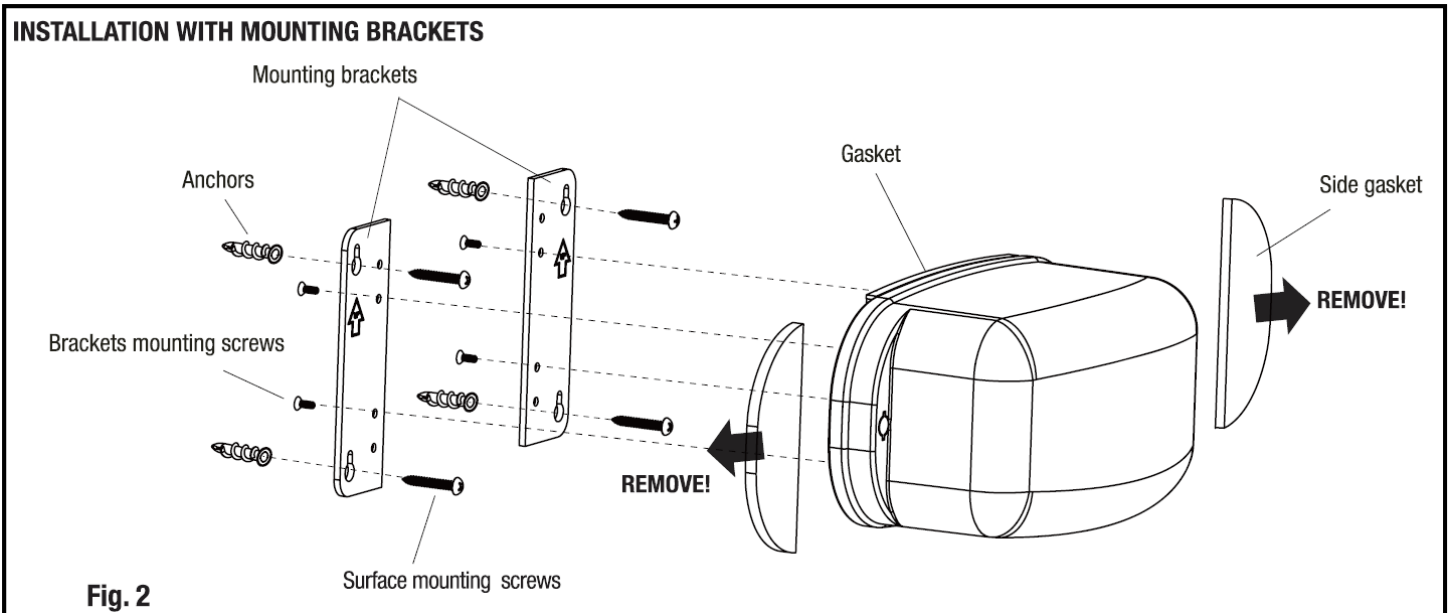
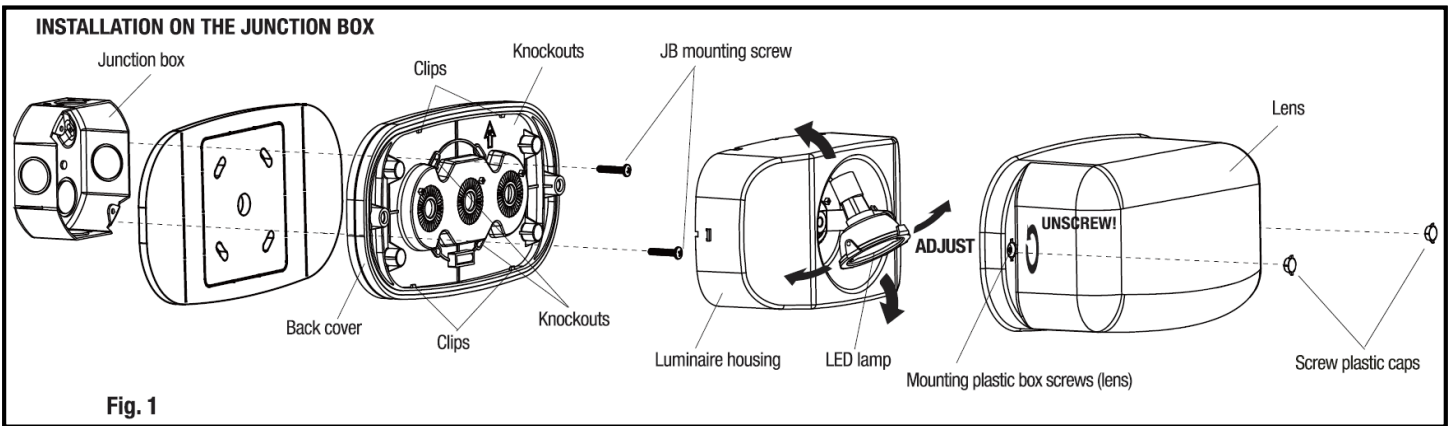
INSTALLATION WITH MOUNTING BRACKETS

1. Extend DC of rated voltage nearby to the unit into recessed junction box (supplied by others). This circuit should NOT be energized/live at this time.
2. Remove the (2) side gaskets from the gasket sheet provided and attach the sheet to the fixture's backside.
3. Mount the (2) surface mounting brackets onto the fixture's backside and secure using the screws provided.
4. Place the luminaire on the required surface. Drill (4) holes using the brackets holes as a drilling template and fix the mounting anchors inside the holes.
5. Remove the screw caps and loosen the two mounting lens screws until the lens is detachable. **Note:** Do not detach the two screws and washers from the lens' mounting holes.

Installation Instructions

INSTALLATION WITH MOUNTING BRACKETS (Contd.)

6. Separate the lens from the fixture. Pull out the luminaire housing.
7. Route the fixture supply wires through the opening on the back cover and the gasket attached to it.
8. Refer to the "Wiring Diagram" section and make electrical connections inside the junction box using the wire nuts provided.
9. Attach the luminaire housing back onto the fixture. Adjust the lamps to the desired position.
10. Reinstall the lens using the two screws and washers. Tighten the screws enough to compress the gasket to ensure a good sealed joint. Replace the two screw caps.
12. Mount the fixture to the surface using the (4) mounting screws and previously installed screw anchors.
13. Apply power. If connected to an EMERGENCY LIGHTING fixture, allow the fixture to charge for 24 hours before testing it in emergency mode.



WIRING DIAGRAM

