

PROJECT NAME:	APPROVED BY:	
CATALOG NO:	TYPE NO:	

TELESIS - TCS Series Compact MR16

Emergency Light for Wet Location

The Telesis TCSWL provides high performance MR16 halogen lamps in an economical gray housing for wet location and NEMA 4X applications. Available with optional 3.3 watt LED lamps.



Construction

- Compact low profile design
- High impact injection molded thermoplastic, 5VA rated flame retardant ABS in Gray housing
- Fully gasketed clear polycarbonate cover offers protection against water splashing, water spray and non-hazardous dust
- Wall mount by way of knockouts in the back of the housing

Electrical

- Fully automatic operation turns on the emergency lamps on failure of normal power and automatically recharges the battery on restoration of normal power
- Lead calcium battery provides 90 minutes of operation
- Optional 3.3 watt LED lamps provide 120 minute operation
- Field selectable 120 or 277VAC input
- Operating temperature range is 20° to 40° C
- Constant voltage two rate charger recharges the battery in 24 hours
- Momentary test switch and AC on indicator
- Line latch prevents unnecessary discharge of battery during installation, loads will not illuminate until after application of utility power
- Low voltage cut-off prevents battery damage and ensures positive charge acceptance following an extensive discharge
- Brownout sensing assures emergency operation during periods of low line voltage
- Damp location environmentally coated circuitry as standard

Illumination

- Two fully adjustable low profile 7 watt MR16 lampheads are standard minimum 90 minute operation
- Optional 3.3 watt LED lamps are available at 219 lumens per lamp

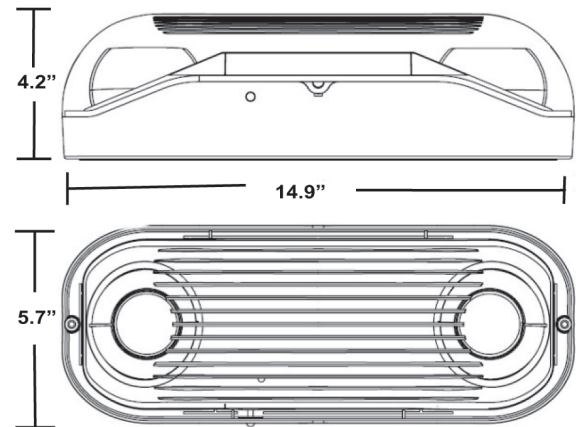
Certification

- Meets UL924, NFPA 101 Life Safety Code, NFPA 70-NEC, and
- OSHA requirements
- UL924 listed for wet location 20° to 40°C



Warranty

- Three year limited warranty (see full warranty data sheet for details)



TCSWL dimensions

ORDERING GUIDE - TCSWL

Example: TSCWL-CW-LED

Model	Housing Color	Lighting Heads	Options
TCSWL Telesis TCS Emergency Light Wet Location Listed	* TCSWL is supplied in industrial Gray Housing only. Interior unit is white finish standard	MR16 Supplied Standard with 7-Watt MR16 Lampheads	US Assembled in the USA H* Internal Battery Heater (- 9° to 40°C) CW* Cold Weather Package (- 25° to 40°C) LED 3.3 Watt MR16 LED Lamps <i>*Can have either H or CW but not both</i>
TCSWL			

Fill in fields from categories above and complete type and part number.

Type Number:

Full Part Number:

Telesis TCS Compact/Wet Location Emergency Light

Input Characteristics

Model Number	Inout watts(W)		Input Amps(A)	
	120V	277V	120V	277V
TCSWL	6.0	6.2	0.053	0.025
TCSWL-CW	5.3	6.0	0.050	0.025

