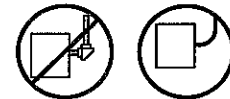


INSTALLATION INSTRUCTIONS FOR EXIT SIGN AND EMERGENCY LIGHT COMBINATION

IMPORTANT SAFEGUARDS READ AND FOLLOW ALL SAFETY INSTRUCTIONS

1. Review the diagrams thoroughly before beginning.
2. All electrical connections must be in accordance with local codes, ordinances, and the National Electric code.
3. Disconnect power at fuse or circuit breaker before installing or servicing.
4. Do not use outdoors.
5. Do not mount in hazardous locations, or near gas or electric heaters.
6. Do not let power cords touch hot surface.
7. Equipment should be mounted in locations and at heights where it will not be subjected to tampering by unauthorized personnel.
8. The use of accessory equipment not recommend by the manufacturer may cause an unsafe condition.
9. Do not use this equipment for other than intended use.
10. All servicing should be performed by a qualified personnel only.
11. Allow battery to charge for 24 hours before first use, for 2 batteries model, need 48 hours fully charge batteries.

Use Flexible Conduit Only



SAVE THESE INSTRUCTIONS

WIRING DIAGRAM (see Fig 1)

AC Wiring

Connect the J-box wires to the power supply wires using the wire nuts provided.
Connect the white wire to neutral.
If using 120V, connect the black wire to the hot lead.
If using 277V, connect the orange wire to the hot lead.
Cap the unused lead.

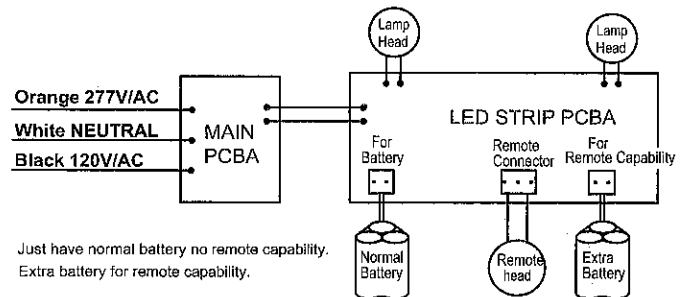


Fig 1

Assembly Lamp Heads (see Fig 2)

1. Open front cover by flat screwdriver.
2. Snap lamp head on the 2 corners of frame. if unit is ceiling mount or side mount, lamp head can assemble backward.
3. Attach 2 pcs lamp heads male and female connector together.

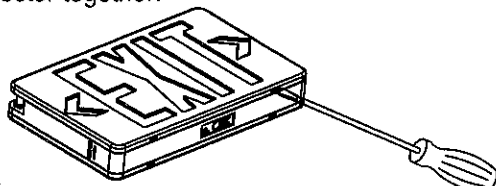
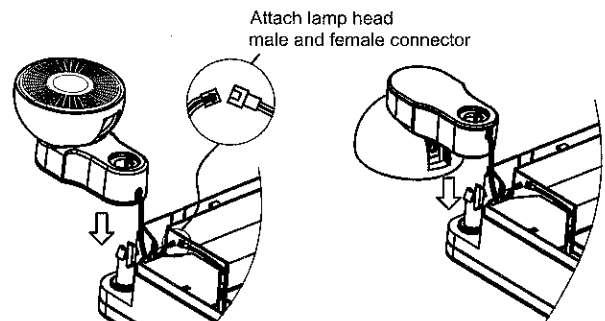


Fig 2



Lamp head forward

Lamp head backward

Wall Mounting (see Fig 3)

1. Open front cover and assemble 2 pcs lamp heads on the frame.
2. Knock out center and appropriate mounting screw holes on the back plate.
3. Route the proper wires through center hole out of housing .
4. Make electrical connections inside the J-Box as wiring diagram.
5. Push excess wire into J-Box, use screws tighten unit to J-Box.
6. Snap chevron to EXIT panel if required.
7. Attach battery connector to PC board, restore front panel on unit, adjust position of lamp heads as need.

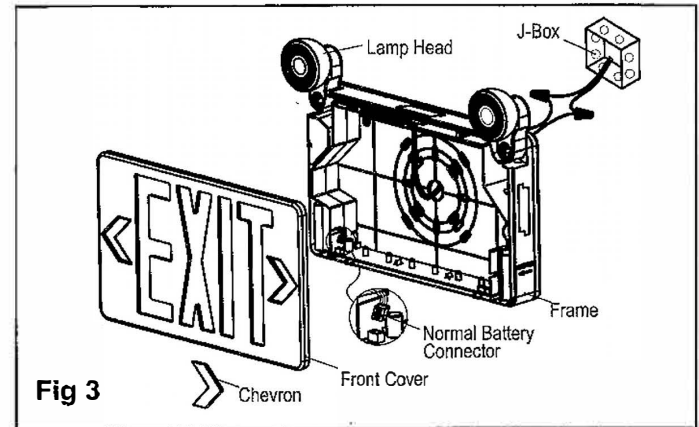


Fig 3

Side or Ceiling Mounting (see Fig 4, Fig 5)

1. Attach crossbar to junction box, set the crossbar so that the longer blade is touching the J-Box.
2. Open front cover and assemble 2 pcs lamp heads on the frame.
3. If double face is desired, replace back plate with additional face plate provided.
4. Remove out the mounting hole cover on the top or side of the unit, assemble the canopy (see Fig 6).
5. Route the proper wires through mounting hole out of housing .
6. Make electrical connections inside the J-Box as wiring diagram.
7. Push excess wire into J-Box, use screws tighten canopy to crossbar so that canopy is securely fastened and tight against the wall.
8. Snap chevron to EXIT panel if required.
9. Attach battery connector to PC board, restore front panel on unit, adjust position of lamp heads as need.

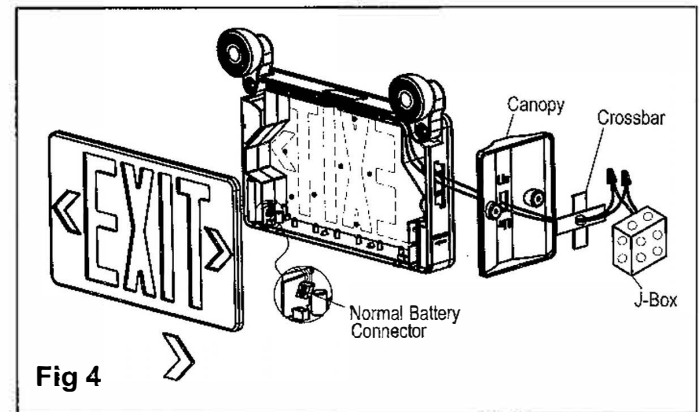


Fig 4

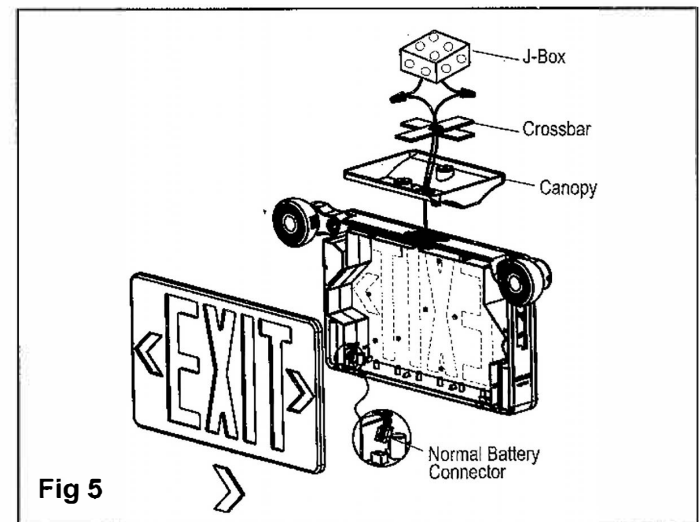
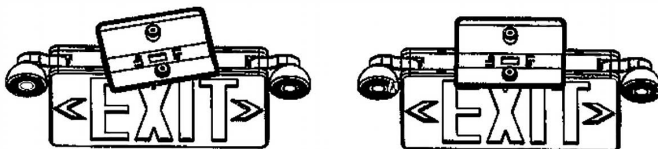


Fig 5

Fig 6

Canopy assembly



Insert canopy into housing at 20 degree angle and twist.
Quick snap is now locked firmly.

CAUTION: Trying to remove canopy after it is locked in place may cause damage.

Connecting Remote heads (see Fig 7)

Using normal battery, no remote capability.
Using extra battery with remote capability.
Connect remote heads extension wire to remote wire, yellow is positive(+), purple is negative(-). connect wires using wire nuts.

Remote capability reference below:
KDC-880-(HO)2RC has max. 3.6V 2W remote capabilities.
KDC-880-4RC has max. 3.6V 4W remote capabilities.

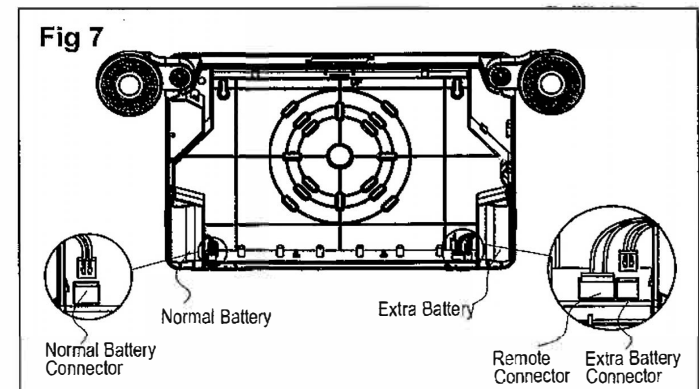


Fig 7

INSTALLATION INSTRUCTION

SELF-DIAGNOSTICS / SELF-TEST OPTION

SAVE THESE INSTRUCTIONS

1. When AC power is supplied to fixture, the unit will automatically initiate self-test and self-diagnostic test as follows:

- (1) Verifies battery disconnection, charger board failure at every 5 seconds.
- (2) 1 minute self-testing every month.
- (3) 90 minutes self-testing on every 12 months after installation.

2. Dual color LED lamp indicator shows the following status:

- (1) Green color On / Ready
 blinking: Testing
- (2) Red color (Service Alert)
- (3) Service Alert LED Code (Red color LED lamp indicator)

●	One blink, 4 second pause	Battery not connected
● ●	Two blinks, 4 second pause	Battery failure (discharge time shortage)
● ● ●	Three blinks, 4 second pause	Charger board circuit failure
● ● ● ●	Four blinks, 4 second pause	Transfer system failure
● ● ● ● ●	Five blinks, 4 second pause	Emergency lamp failure
● ● ● ● ● ●	Six blinks, 4 second pause	Remote heads failure (if installed)
● ● ● ● ● ● ●	Seven blinks, 4 second pause	LED strip of exit sign failure

NOTICE

After solving the fault of emergency equipment, please press test button for 2 seconds without releasing to reset. LED indicator will show green.

3. Self-testing / self-diagnostic also have manual test function, press test button as follows:

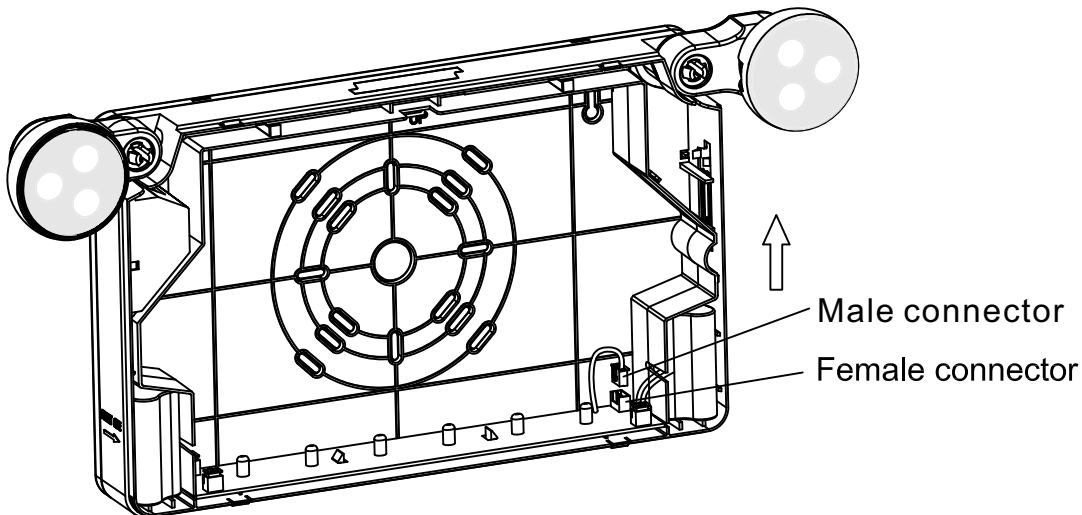
Press test button once	30 seconds discharge test
Press test button twice within 2 seconds	3 minutes discharge test
Press test button 3 times within 2 seconds	30 minutes discharge test
Press test button 4 times within 2 seconds	90 minutes discharge test

4. Remote Capacity for Self-Test Option (when applicable):

In order to connect remote lamp heads with self-diagnostics/self-testing option, please refer to the instruction on the next page.

5. Installation instruction for remote lamp heads:

Disconnect male connector from the female connector on PCBA.



Plug the remote male connector into the female connector.
Connect extended remote head wires to the remote wires using wire nut.
Yellow is positive(+) and the purple is negative(-).

