

PROJECT NAME:	APPROVED BY:
CATALOG NO:	TYPE NO:

# TELESIS TEXZ - LED EXIT SIGNS

## Universal Mount Edgelit

### Economical

Innovative design, contemporary styling and ease of installation make the Telesis the sign of choice for all general interior applications. Slim design lends to the esthetic appeal, while an excellent price point and ease of installation satisfy the needs of distributors and contractors alike.

Soft curves and the low profile create a distinctive “floating” edgelit look. Quality construction includes a satin aluminum extruded housing with a high grade clear acrylic legend. The



### Construction

- Attractive, low profile satin extruded aluminum universal surface mount housing
- The 2M Double Face Mirror Background panel provides a Mirror reflector sealed between the two exit panels to simulate a clear background for Double Face exits. For field conversion the 2M model also includes a mirror reflector with two adhesive strips that can be applied externally to cover over one exit face to convert to a Single Face Mirror sign. For a purpose sealed Single Face Mirror panel order option TEXR1M or TEXG1M
- Clear acrylic edgelit lens is provided for single face signs and a mirrored background is standard for double face signs
- Unique pivoting housing allows for “hang straight” installation on sloped ceilings
- Universal surface mounting canopy for wall, ceiling, or end mounting
- Self-adhesive Chevron arrows with template enable on-site configuration
- Push to test switch and AC present indicator provided on EM models
- Suitable for indoor damp locations
- Operating temperature range is 10° C to 40° C

### Electrical

- Solid state battery charging circuit re-charges the NiCad battery in just 24 hours after a 90 minute discharge
- Long life Nickel Cadmium maintenance free battery provides more than 90 minutes of emergency run time
- Universal 120/277 VAC 60 HZ field selectable input.
- Surge and brown out protection are standard
- Low voltage cut-off prevents battery damage and ensures positive charge acceptance following an extended discharge

### Illumination

- Maintenance free LED Light source with low energy consumption and long life
- Red or Green LED's with 6" letters and 3/4" stroke ensure code compliance



### Certification

- Listed to UL 924, meets NFPA 101 Life Safety Code, NFPA 70-NEC and OSHA requirements
- California Energy Commission (CEC) Title 20 Compliant

### Warranty

- 3 Year Limited Warranty

## ORDERING GUIDE – TEXZ

Example: TEXZ-EM-R-1C

Model	Operation	Legend Size/Letter Color	Number of Faces	Panel Options
TEXZ	AC AC Only 120/277 VAC	R RED Standard 6" EXIT	1C Single Face, Clear Background (standard)	TEXR1M Single Face Red Mirror Panel
	EM Battery Backup Emergency	G GREEN Standard 6" EXIT	2M The 2M Double Face panel also includes a spare mirror reflector with adhesive strips that can be applied externally to cover over one exit face. The covering then replicates a Single Face Mirrored sign. For a purpose sealed Single Face Mirror reflector panel, order option TEXR1M or TEXG1M	TEXG1M Single Face Green Mirror Panel
TEXZ				NOTE: For greater versatility and options see Sovereign II Series

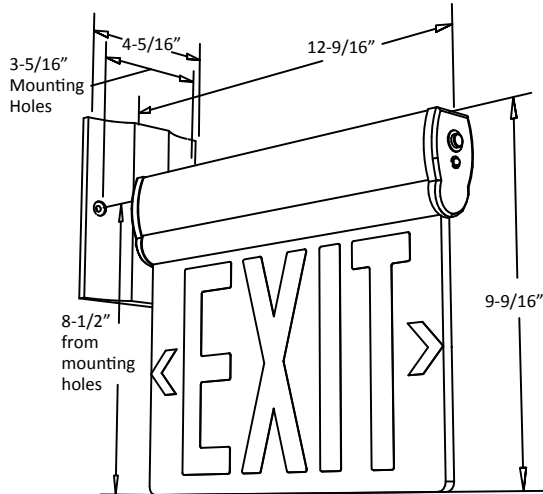
Fill in fields from categories above and complete type and part number.

Type Number:

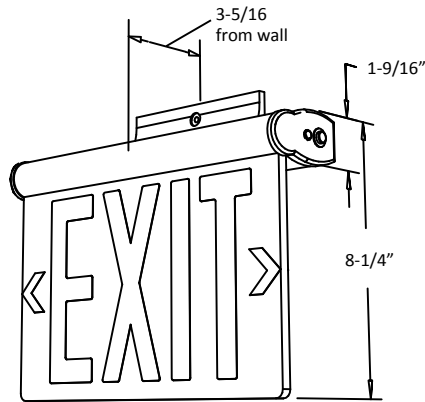
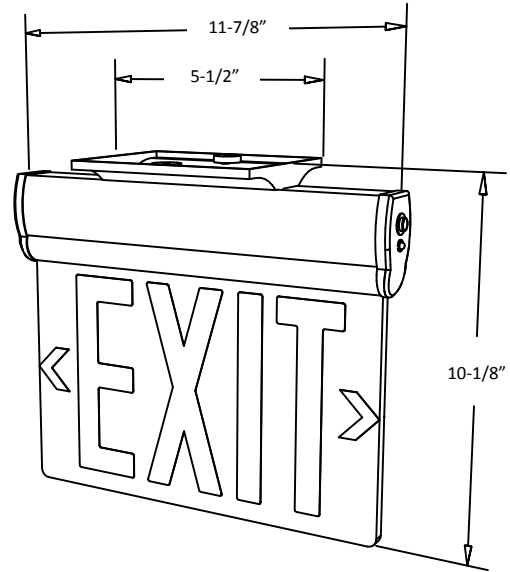
Full Part Number:

# Telesis TEXZ LED Exit Signs

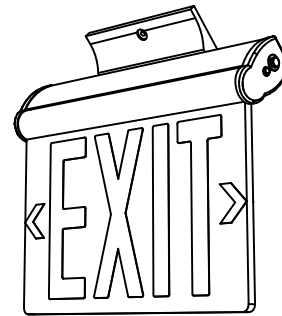
Surface End Mount



Surface Ceiling Mount



Surface Wall Mount



Sloped Ceiling Mount