

INSTALLATION INSTRUCTIONS (1)

AC & Self-Powered LED Exit Signs Installation Instructions

IMPORTANT SAFEGUARDS

When using electrical equipment, basic safety precautions should always be followed including the following:

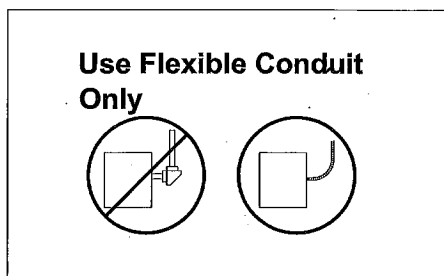
1. **READ AND FOLLOW ALL SAFETY INSTRUCTIONS**
2. Do not use outdoors.
3. Do not mount near gas or electric heaters.
4. Do not let power cords touch hot surfaces.
5. Use caution when servicing batteries. Avoid possible shorting.
6. Equipment should be mounted in locations and at heights where it will not readily be subjected to tampering by unauthorized personnel.
7. The use of accessory equipment not recommended by the manufacturer may cause an unsafe condition.
8. Do not use this equipment for other than intended use.
9. Before wiring to AC service, turn off AC power at fuse or circuit breaker.
10. Disconnect AC power and unplug battery before servicing.
11. When relamping, only use lamps specified in the fixture.
12. Battery in this unit may not be fully charged. After the AC service is supplied to unit, let the battery charge up for at least 24 hours before performing any tests.

SAVE THESE INSTRUCTIONS

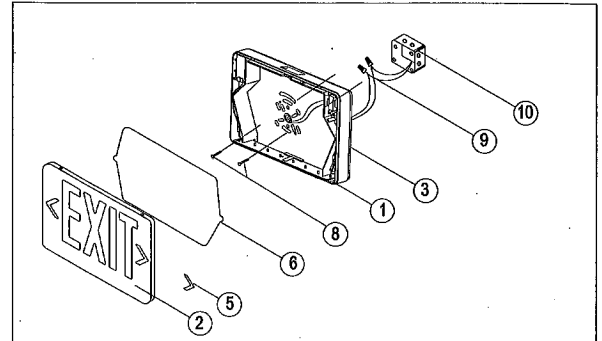
INSTALLATION

BACK MOUNTING - See diagram 1

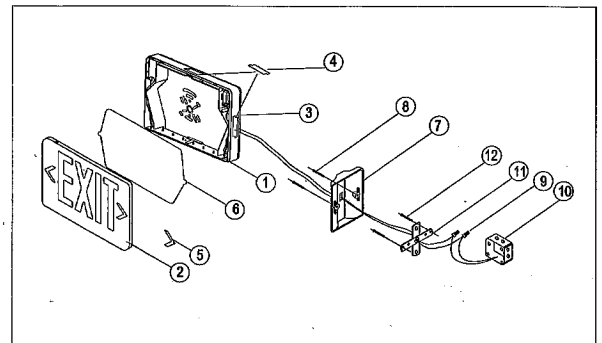
1. Drill $\varnothing 1/4"$ holes into oblong knock outs on back plate (3) that correspond to junction box (10) holes to be used.
2. Feed the transformer input leads through center hole and make the proper connections. If using 120VAC, connect the black and white leads to the building utility. If using 277VAC, connect the orange and white leads to the building utility. Cap off unused wire. If the unit is self-powered, be sure to snap battery connector together.
3. Feed excess wire into junction box and secure back plate (3) to junction box (10).
4. Snap in arrows (5) on EXIT panel (2) as required. Then snap EXIT panel (2) to housing, top first and then bottom.



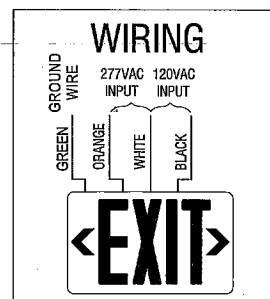
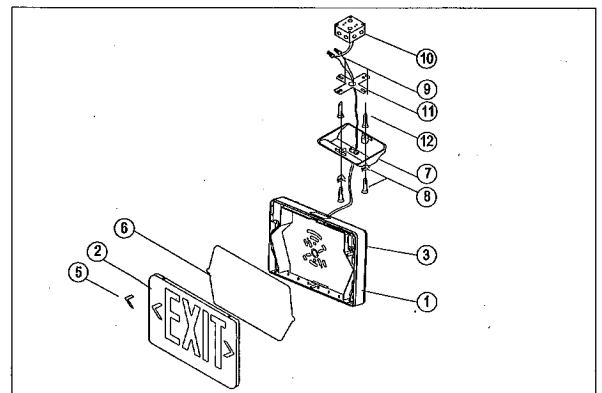
BACK MOUNTING - DIAG. 1



SIDE MOUNTING - DIAG. 2



CEILING MOUNTING - DIAG. 3



PARTS DESCRIPTION

- 1) Plastic housing
- 2) EXIT panel
- 3) Back plate
- 4) Mounting hole cover
- 5) Snap in directional arrow
- 6) Red or green diffuser
- 7) Canopy
- 8) Canopy screws
- 9) Wire nuts
- 10) Junction box (building utility)
- 11) Crossbar
- 12) Crossbar screws (not provided)

INSTALLATION INSTRUCTIONS (2)

SIDE MOUNTING - See diagram 2

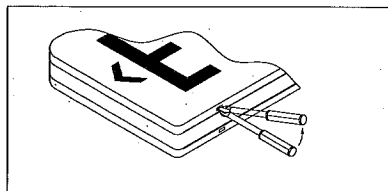
1. Attach crossbar (11) to junction box (10). Set the crossbar so that the longer blade is touching the junction box.
2. Open the EXIT housing. Feed the transformer input leads through side hole, being sure to secure wire into wire guides molded at the edges of the sign.
3. Attach sign to canopy (7) by inserting canopy into sign at an angle, then twist to secure.
4. Make the proper supply lead connections. If using 120VAC, connect the black and white leads to the building utility. If using 277VAC, connect the orange and white leads to the building utility. Cap off unused wire. If the unit is self-powered, be sure to snap battery connector together.
5. Push excess wire into junction box and align holes in canopy (7) with those in crossbar(11). Using screws supplied, tighten canopy to crossbar so that canopy is securely fastened and tight against wall.
6. Snap in arrows (5) to EXIT panel (2) as required. Then snap EXIT panel (2) to housing, top first and then bottom.

CEILING MOUNTING - See diagram3

1. Attach crossbar (11) to junction box (10). Set the crossbar so that the longer blade is touching the junction box.
2. Open the EXIT housing. Feed the transformer input leads through top hole, being sure to secure wire into wire guides molded at the edges of the sign.
3. Attach sign to canopy by inserting canopy into sign at an angle, then twist to secure.
4. Make the proper supply lead connections. If using 120VAC, connect the black and white leads to the building utility. If using 277VAC, connect the orange and white leads to the building utility. Cap off unused wire. If the unit is self-powered, be sure to snap battery connector together.
5. Push excess wire into junction box and align holes in canopy (7) with those in crossbar (11). Using screws supplied, tighten canopy to crossbar so that canopy is securely fastened and tight against ceiling.
6. Snap in arrows (5) to EXIT panel (2) as required. Then snap EXIT panel (2) to housing, top first and then bottom.

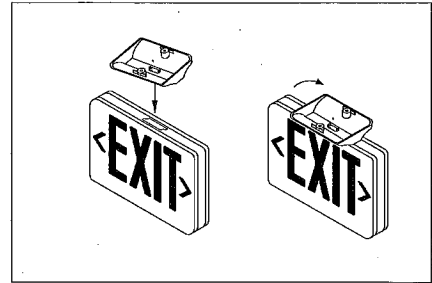
OPENING EXIT PANEL

Use flat blade screwdriver to open. Insert screwdriver into the slot and gently pry off the panel.



ASSEMBLING CANOPY TO HOUSING

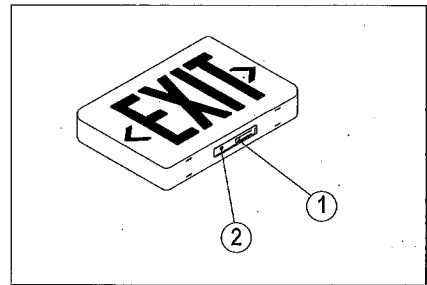
Insert canopy into housing at a 20 degree angle and twist. Quick snap is now firmly locked.



CAUTION

Trying to remove canopy after it is locked in place may cause damage.

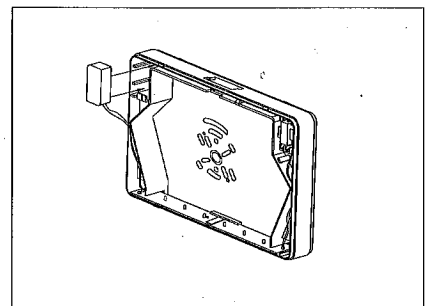
MANUAL TESTING



- 1) Manual battery test switch
- 2) Red LED (indicates normal operation)

CAUTION

Battery connector is shipped disconnected. It must be connected at installation.



INSTALLATION INSTRUCTION FOR CYBER-TEST OPTION

(SELF-DIAGNOSTICS/SELF-TESTING OPTION)

1. Install the Exit Sign & Emergency Lighting Combo according to installation instruction sheet.

2. When AC power is supplied to fixture, the unit will automatically initiate a self-test and self-diagnostic test as follows:

- (1) Verifies battery disconnection, charger board failure, lamps failure and transformer failure at every 5 seconds.
- (2) One-minute self-testing every month.
- (3) 30 minutes self-testing on the 6th month of the year after installation.
- (4) 90 minutes self-testing on the 12th month of the year after installation.
- (5) Factory pre-set all functions- Do not need field adjustment.

3. Dual color LED lamp indicator shows the following status:

- (1) Green color  ON/ Ready
Blinking: Testing

(2) Red color (Service Alert)

(3) Service Alert LED Code (Red color LED lamp indicator)

●	One blink ON/pause (4 seconds)	Battery is not connected
●●	Two blinks ON/pause (4 seconds)	Battery is shorted or battery voltage drops below than acceptable value
●●●	Three blinks ON/pause (4 seconds)	Charger board circuit fault
●●●●	Four blinks ON/pause (4 seconds)	Transformer fault
●●●●●	Five blinks ON/pause (4 seconds)	Emergency lamp fault
●●●●●●	Six blinks ON/pause (4 seconds)	Remote head's emergency lamp fault(if fixture has remote capability)
●●●●●●●	Seven blinks ON/pause (4 seconds)	Exit LED strip fault (for Exit Signs only)

CAUTION:

After solving the fault of emergency equipment, please press test button for 2 seconds without release then LED lamp will show green color.

4. For manual test, press test button as follows:

Press test button once (within 2 seconds)	1 minute test
Press test button twice (within 2 seconds)	5 minutes test
Press test button 3 times (within 2 seconds)	30 minutes test
Press test button 4 times (within 2 seconds)	90 minutes test