

UNIVERSAL RECESSED / SURFACE MOUNT LED EXIT SIGN

AC ONLY

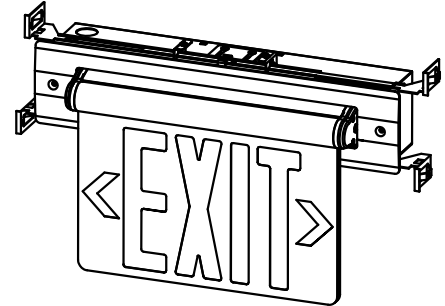
H3 Group Inc.

TEXZAC /UELAC Series

INSTALLATION & OPERATION INSTRUCTIONS

Package Contents

Part	Description	Quantity
1	LED Edge-Lit EXIT Sign	1
2	Adjust Bracket and Bar hanger	2
3	Hardware Bag	1
4	Exit panel for double face	1
5	Canopy and crossbar	1



Warnings and Cautions

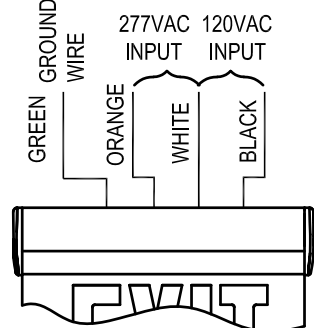
IMPORTANT SAFEGUARDS READ AND FOLLOW ALL SAFETY INSTRUCTIONS.

1. Review the diagrams thoroughly before beginning. If you feel that you do not have enough electrical wiring experience, please contact a qualified licensed electrician for installation.
2. All electrical connections must be in accordance with local codes, ordinances, and the National Electric Code. If you are unfamiliar with methods from installing electrical wiring, secure the services from a qualified licensed electrician.
3. Before starting installation, disconnect power by turning off the circuit breaker or by removing the appropriate fuse at the fuse box. Using a light switch to turn the power off is not sufficient to prevent electrical shock.
4. Do not use outdoors.
5. Do not let power supply cords touch hot surfaces.
6. Do not mount near gas or electric heaters.
7. Equipment should be mounted in locations and at heights where it will not be subjected to tampering by unauthorized personnel.
8. The use of accessory equipment not recommended by the manufacturer may cause an unsafe condition.
9. Do not use this equipment for other than its intended use.
10. All servicing should be performed by qualified personnel only.

SAVE THESE INSTRUCTIONS

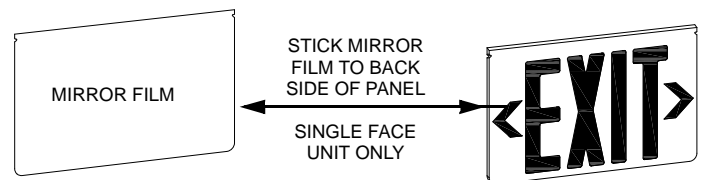
ELECTRICAL CONNECTIONS

- Make the proper supply wire connections.
- If using 120VAC, connect the black and white wires to the building utility.
- If using 277VAC, connect the orange and white wires to the building utility.
- Cap off unused wires. In all cases, use standard wire nuts to connection to wires.



Conversion from double face mirror to single face mirror:

To convert Double Face Mirror to Single Face Mirror, remove protective liner from adhesive strips supplied on the Mirror film. Center the mirrored film over the desired unused face and press firmly to adhere. Remove protective "blue" film from the mirror and faces.



Determine chevron placement:

- a. If a chevron is needed, leave the chevron on and remove only the film instruction.
- b. If no chevron is needed, remove the chevron and film instructions together.

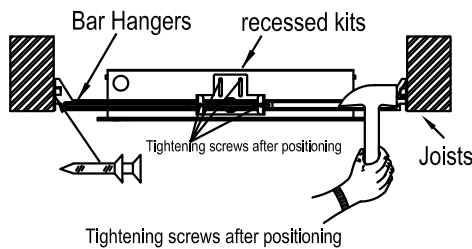


Mounting Instructions

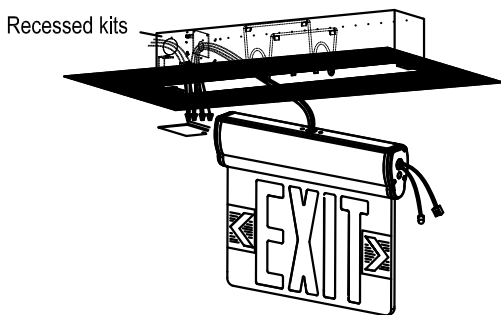
NOTE: First turn off electricity.

Recessed Ceiling Mounting

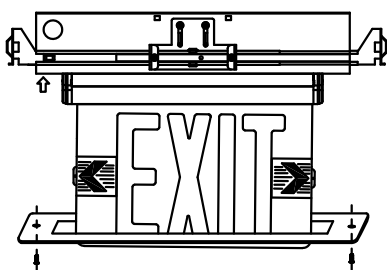
1. Refer to assembly drawing before you start installation.
2. Position recessed kits and bar hangers between joists. Make sure the bar hangers are in the correct location. Temporarily position the recessed kits by hammering the "nail-in" tabs on the bar hangers, secure permanently with nails. The bar hangers should be level with the bottom of the joists.
3. Adjust height of recessed kits vertically using adjusting slots and then tightening all screws on adjusting slots and bar hanger bracket to secure adjusting bracket and bar hangers.



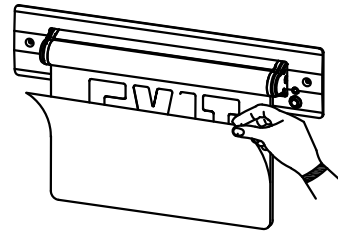
4. Proper electrical connections can be made in the J-box or inside the recessed metal box. If using 120VAC, connect the back and white leads to the building utility. If using 277VAC, connect the orange and white leads to the building utility. Cap off any unused wires. In all cases, use standard wire nuts in connecting leads.



5. Connect test switch and LED indicator cables via connectors.
6. Insert fixture into the spring retainers in the metal back box. Attach the trim plate to the metal back box using (2) FM4*15 screws (supplied).



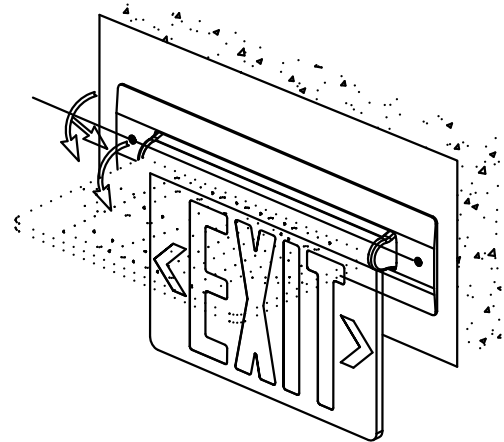
7. Peel off protective film from acrylic panel.



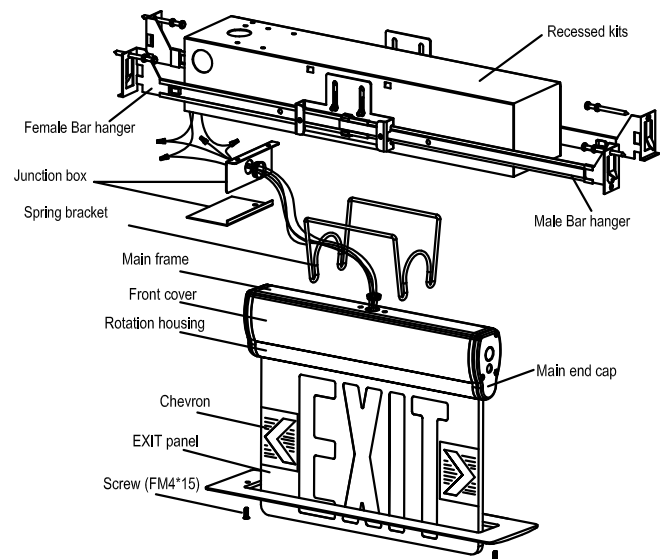
8. Determine direction for chevron placement. (See DETERMINE DIRECTION)
9. The unit can be installed on any surface, you may rotate the EXIT panel in any angle from 0° to 180°

Recessed Wall Mounting

1. Reference steps 1-8 in recessed ceiling mounting for recessed wall mounting installation.
2. Recessed ceiling mounting rotated 90° becomes recessed wall mounting.

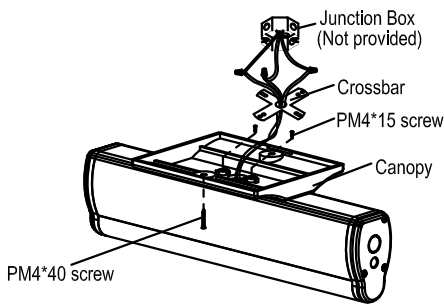


Assembly Drawing

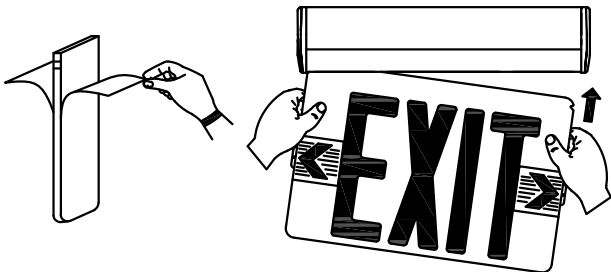


Surface Ceiling & Wall Mounting

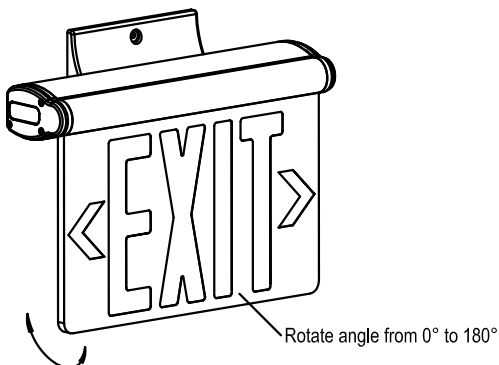
1. Attach crossbar to junction box, using screws if needed. (screws are not provided)
2. Feed AC supply wires through canopy center hole.
3. Assemble canopy onto main body assembly with (2) PM4*15 screws(supplied) and make proper wire connections. (See ELECTRICAL CONNECTIONS).
4. Use (2) PM4-40 screws (supplied) tighten canopy to crossbar.



5. Peel off protection film from both sides of the EXIT panel, gently insert EXIT panel into main body assembly. If the EXIT panel is single, ensure that the EXIT letter direction is correct.

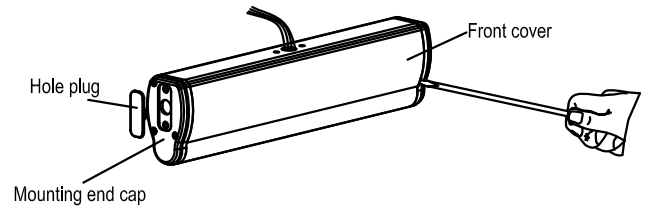


6. Determine direction for chevron placement. (See DETERMINE DIRECTION)
7. The unit can be installed on any flat surface. The EXIT panel can pivot in any angle from 0° to 180°, for wall mounting rotate the panel 90° from the ceiling mounting.

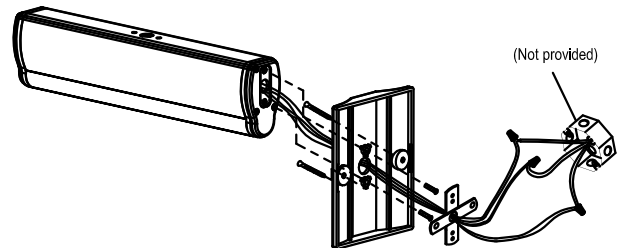


Surface End Mounting

1. Attach crossbar to junction box, using screws if needed. (screws are not provided)
2. Use a screwdriver to open the front cover to remove the hole plug from the slots or mounting end cap.



3. Pull out all AC supply wires and feed wire through the center hole of the mounting cap and then the canopy.
4. Reference steps 3-6 in surface ceiling & wall mounting above to finalize surface end installation.



5. The unit can be installed on any surface, you may rotate the EXIT panel in any angle from 0° to 180°.

Assembly Drawing

