

TUFFLITE DT Instructions

120/277 Volts AC 60 Hz. 7.8-36 VA

Output (as specified): 6, 12 or 24 Volts DC, for 90 minutes

**NEMA 12 Industrial
Emergency Light**

IMPORTANT SAFEGUARDS

When using electrical equipment, basic safety precautions should always be followed including the following:

1. **READ AND FOLLOW ALL SAFETY INSTRUCTIONS**
2. Do not use outdoors
3. Do not let power cords touch hot surfaces.
4. Do not mount near gas or electric heaters.
5. Use caution when serving batteries. Battery acid can cause burns to skin and eyes. If acid is spilled on skin or eyes, flush acid with fresh water and contact a physician immediately.
6. Equipment should be mounted in locations and at heights where unauthorized personnel will not readily subject it to tampering.
7. The use of accessory equipment not recommended by the manufacturer, may cause an unsafe condition, and will void the unit's warranty.
8. Do not use this equipment for other than its intended purpose.
9. Servicing of this equipment should be performed by qualified service personnel.
10. **SAVE THESE INSTRUCTIONS!**

INSTALLATION

120VAC Line Cord Installation:

1. Extend unswitched 24-hour supply of rated voltage nearby to the unit and terminate with an approved 120VAC receptacle, installed in accordance with all applicable codes and standards. This circuit should NOT be energized/live at this time.
2. Mount the unit securely into place. There are four (4) mounting holes provided (one at each corner) on the unit. Fasten a single, appropriately sized screw or mounting bolt (not supplied) through each hole and into the mounting surface/wall. Each fastener must be securely in place to properly support the unit.
3. The unit is supplied with a 120VAC line cord; connect the plug on the line cord into the 120VAC receptacle previously installed.
4. Open the cabinet by unscrewing the two (2) cover screws located on the right side of the unit (Figure 1). The hinged front door can then be swung open.
5. Skip to Step 7 listed below.

120VAC or 277VAC Hardwired Installation:

1. Extend unswitched 24 hour AC supply of rated voltage to a junction box (supplied by others) installed in accordance with all applicable codes and standards. Leave at least 8 inches of slack wire. This circuit should NOT be energized/live at this time.
2. Open the unit by unscrewing the two (2) cover screws on the side of the unit (Figure 1). The hinged door can then be swung open.
3. Drill out an appropriate mounting hole(s) and/or wire pass-thru hole(s) in the back or side of the unit's cabinet sized to fit the junction box and/or wires being used (supplied by others). Bring wires through the hole(s) into the back/side of the cabinet.
4. Mount the unit securely into place. There are four (4) mounting holes provided (one at each corner) on the unit. Fasten a single, appropriately sized screw or mounting bolt (not supplied) through each hole and into the mounting surface/wall. Each fastener must be securely in place to properly support the unit.
5. If the unit is equipped with a 120VAC line cord it will have to be removed. Trace the incoming wires from the line cord to the wire connectors inside the cabinet. Disassemble the connectors and separate the line cord wires from all other wires. Untwist the line cord dust-tight connector and remove the line cord (Figure 2).
6. Make proper wiring connections between the AC supply and the unit's transformer: ORANGE - Line 277 Volts; BLACK - Line 120 Volts; WHITE - Neutral. BROWN is provided in place of ORANGE for special voltages (Figure 3). **Insulate unused wire!** Connect ground to supplied green ground wire in accordance with local codes. Reassemble all wire connections and connectors. **CAUTION! - Failure to insulate unused wire may result in a shock hazard or unsafe condition as well as equipment failure.**
7. Connect the wire lead(s) from the Positive battery terminal (+) to the positive terminal connector on the circuit board (Figure 4). For large units the batteries may be shipped separate from the cabinet. Install the batteries into the cabinet and make the appropriate inter-battery connections (Figure 5).
8. Replace cover and secure cover screws.
9. Turn on AC line voltage supply.
10. Position lamps to provide best lighting distribution.

CAUTION

This equipment is furnished with a sophisticated low voltage battery dropout circuit to protect the battery from over-discharge after its useful output has been used. Allow 24 hours recharge time after installation or power failure for full-load testing.

Mounting hole (one of four)

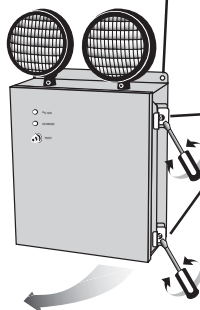


Figure 1

Trace and disconnect all line cord wires

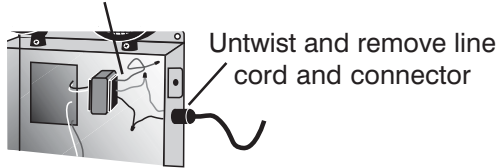


Figure 2

CHARGER BOARD STANDARD DUAL INPUT VERSION 120/277VAC

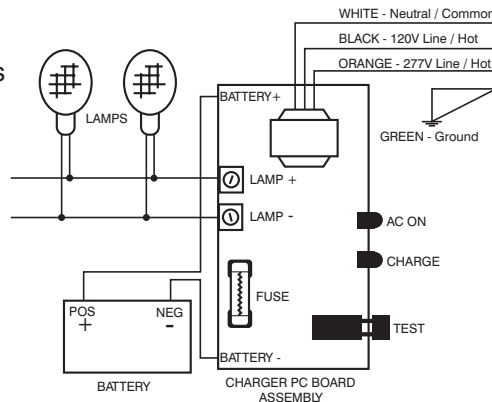
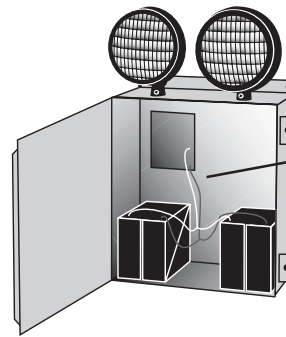


Figure 3



Uncoil wire and connect end to circuit board terminal

Figure 4

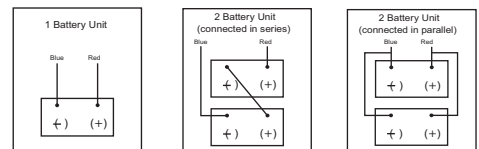


Figure 5

OPERATION

1. To Test, depress the TEST Switch. Charge indicator will go out and the DC lamps will come on.
2. Release the TEST Switch. DC lamps will be extinguished, and the charge indicator will come on.
3. A bright charge indicator indicates a high charge rate. After the battery has reached full charge, the indicator light will go out. Under normal operation the high charge indicator will turn off and on intermittently while the unit is in standby mode (regular/mains AC present) since the charge rate will vary in order to maintain an optimal battery charge.

MAINTENANCE

1. Code requires that the equipment be tested every 30 days for 30 seconds, and that written records be maintained. Further, the equipment is to be tested once a year for the required duration as per Code. The battery is to be replaced or the equipment repaired whenever the equipment fails to operate as intended during the duration test. Written records of test results and any repairs made must be maintained. It is strongly recommended to comply with all Code requirements.
2. Clean lenses on a regular basis.

NOTE: The servicing of any parts should be performed by qualified service personnel only. The use of replacement parts not furnished by the manufacturer, may cause equipment failure and will void the warranty.

TROUBLE SHOOTING HINTS

EMERGENCY LAMPS DO NOT COME ON AT ALL

Pilot Light is out before test...

1. Check AC supply - be sure unit has 24 hour AC supply (unswitched).
2. AC supply is OK, and indicator light is out, replace PC Board Assembly.

Pilot Light is on before test

3. Either the output is shorted or overloaded, or the battery is not connected.
4. Battery is severely discharged. Allow 24 hours for recharge and then retest. NOTE: This could be the result of a switched AC supply to the unit (which has been turned off at some point), a battery with a shorted cell, an old battery or a battery which has been discharged due to a long power outage and is not yet fully recharged.

EMERGENCY LAMPS COME ON DIM WHEN TEST BUTTON IS PRESSED

1. Battery discharged - permit unit to charge for 24 hours and then retest. If lamps are still dim, check charger for proper function. If charger functions correctly, replace battery.

EMERGENCY LAMPS COME ON WHEN BATTERY IS FIRST CONNECTED

1. Battery may be connected in reverse polarity. Check connections. Connect Positive lead to Positive battery terminal and Negative lead to Negative battery terminal. The lamps should then turn off and the charge indicator should light when AC power is applied.

EMERGENCY LAMPS COME ON DIM WHEN AC POWER IS ON -

1. Check supply voltage and AC connections. This emergency light is provided with brownout protection. The AC supply must be at least 80% of nominal (96V on a 120V line) for equipment to function normally. At lower voltages the emergency lamps will begin to glow dimly until the source voltage drops below the full turn-on point. NOTE: This condition may also be caused by incorrectly connecting a 120 Volt supply line to the 277-Volt transformer lead.

SAVE THESE INSTRUCTIONS