

|               |              |
|---------------|--------------|
| PROJECT NAME: | APPROVED BY: |
| CATALOG NO:   | TYPE NO:     |

# TUFFLITE H - EMERGENCY LIGHT

**6,12 & 24 Volt • 120-360 Watt Metal**

The Tufflite H Series provides durable emergency lighting units with the ability to power remote fixture loads. The cabinet is constructed of sturdy 20 gauge steel and finished in an attractive durable white powder coat. Batteries are long life, maintenance free sealed Lead Calcium, 6, 12 or 24 volt DC. Optional Nickel Cadmium batteries are available.



## Construction

- Two fully adjustable, top mounted Par 36 style lighting heads in high impact thermoplastic are supplied as standard. Lighting heads are available with a variety of lamp types and wattage's
- Accommodates up to four lighting heads (2 top, 2 side) Standard units are supplied with two top mounted heads
- 20 gauge steel cabinet with universal knock-out mounting pattern finished in a durable white powder coat finish (other colors available to order)
- Key hole mounting slots and conduit knockouts are provided for additional mounting possibilities

## Electrical

- 24 volt units provide for reduced voltage drops over longer cable runs
- Maintenance free sealed Lead Calcium batteries
- Self-test / Self-Diagnostic monitoring available
- Premium, fully automatic current limited "Pulse Switching" charger provides ideal charge conditions for optimum battery performance and life
- External Momentary test switch and dual diagnostic LED indicator displays AC presence and Hi-Charge status

- Field selectable 120 or 277 VAC input
- Short Circuit battery protection
- Line-latch prevents unnecessary discharge of battery during installation, loads will not illuminate until after application of utility power
- Low voltage cut-off prevents battery damage and ensures positive charge acceptance following an extended discharge
- Brownout sensing assures emergency operation during periods of low line voltage

## Illumination

- High capacity models support total loads up to 360 watts or provide for extended discharge period
- 6 or 12 volt 9 watt tungsten lamps standard

## Certification

- Listed to UL 924, meets NFPA 101 Life Safety Code, NFPA 70-NEC and OSHA requirements



## Warranty

- 3 Year Limited Warranty

## ORDERING GUIDE – H

**Example:** H2E120-2-W69-SD

| Model    | Operating Voltage/Wattage   |                                  | No. of Top Mounted Lighting Heads                            | Lighting Heads  | Options   |
|----------|---|----------------------------------|--|---|---|
| <b>H</b> | <b>Lead Calcium Battery</b>                                       | <b>Nickel Cadmium Battery</b>    | <b>0</b> No Lighting Heads<br><b>2</b> Double Lighting Heads | <b>W69</b> Standard 6 Volt Unit 9 Watt Lamp Head<br><b>W129</b> Standard 12 Volt Unit 9 Watt Lamp Head<br><b>C</b> Capsule Halogen*<br><b>L65</b> 6V 5W LED PAR 18 Thermoplastic<br><b>L67</b> 6V 7W LED PAR 18 Thermoplastic<br><b>L125</b> 12V 5W LED PAR 18 Thermoplastic<br><b>L127</b> 12V 7W LED PAR 18 Thermoplastic<br><b>L245</b> 24V 5W LED PAR 18 Thermoplastic<br><b>L247</b> 24V 7W LED PAR 18 Thermoplastic | <b>SD</b> Self Test / Self Diagnostic<br><b>V</b> Voltmeter<br><b>A</b> Ammeter<br><b>TD</b> 15 Minute Time Delay (Specify AC Voltage)<br><b>CS</b> 3 Ft Conductor Cord & Plug<br><b>WG7</b> Wire Guard (28" x 21" x 10")<br><b>B</b> Black Housing & Heads |
|          | <b>90 Minute Capacity</b>   | <b>90 Minute Capacity</b>        |  |   |   |
|          | <b>2E120</b> 6 Volt – 120 Watt                                    | <b>4N200</b> 12 Volt – 200 Watts |  |   |   |
|          | <b>2E200</b> 6 Volt – 200 Watt                                    | <b>6N200</b> 24 Volt - 200 Watts |  |   |   |
|          | <b>4E140</b> 12 Volt - 140 Watts                                  |                                  |  |   |   |
|          | <b>4E360</b> 12 Volt – 360 Watts                                  |                                  |  |   |   |
|          | <b>6E360</b> 24 Volt – 360 Watts                                  |                                  |  |   |   |
|          | <i>Note: See Tufflite S Series for other Wattage requirements</i> |                                  |  | <i>*Note: For Additional Lamp Selections Consult Factory</i><br><i>Note: Total lamp wattage must not exceed unit 90 minute capacity rating</i>  |   |
| <b>H</b> |   |                                  |  |   |   |

Fill in fields from categories above and complete type and part number.

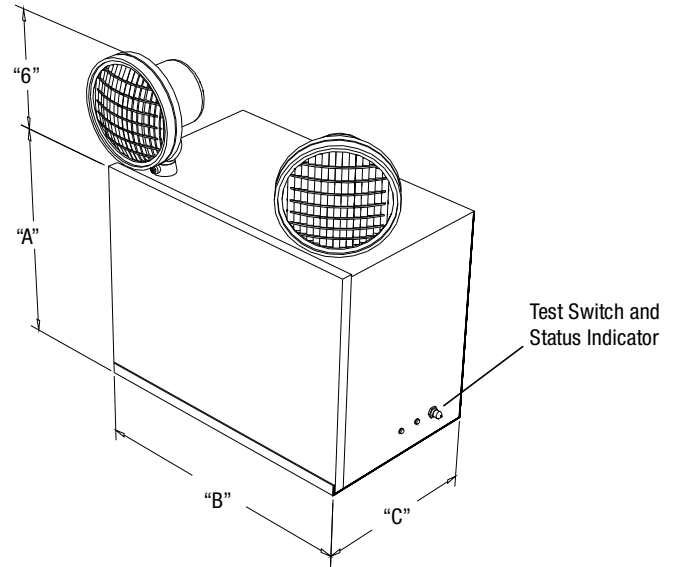
|                     |                          |
|---------------------|--------------------------|
| <b>Type Number:</b> | <b>Full Part Number:</b> |
|---------------------|--------------------------|

# Tufflite H - Emergency Light

## 6,12 & 24 Volt • 120-360 Watt Metal



Shown with optional MR16 lampheads and now available with LED



| Optional MR16 Heads Available Lamps |        |
|-------------------------------------|--------|
| Voltage/Wattage                     | Lumens |
| 12V 20 W                            | 225    |
| 12V 35W                             | 500    |
| 12V 50W                             | 750    |
| 6V or 12V 5WLED                     | 300    |
| 6 or 12V 7WLED                      | 382    |

| Dimensions     |       |       |        |
|----------------|-------|-------|--------|
| Model          | "A"   | "B"   | "C"    |
| (6V) 120 W     | 9.5"  | 15.0" | 4.25"  |
| (6V) 140-200W  | 10.0" | 13.0" | 8.0"   |
| (12V) 200-300W | 10.0" | 18.0" | 8.375" |

### Operating Characteristics

| Model  | Voltage | Wattage |       |       |       |
|--------|---------|---------|-------|-------|-------|
|        |         | 90 min  | 2 hrs | 3 hrs | 4 hrs |
| H2E120 | 6       | 120     | 95    | 67    | 49    |
| H2E200 | 6       | 200     | 150   | 100   | 75    |
| H4E140 | 12      | 140     | 105   | 70    | 56    |
| H4E360 | 12      | 360     | 270   | 180   | 138   |

