

TUFFLITE IX - Wet Location Emergency Light

NEMA 4, 4X, 12 & 13 • 6, 12 & 24 Volt 22-360 Watt

Tufflite "IX" Industrial NEMA emergency lighting units are designed for use in hostile areas where oil, water and dust resistant equipment is required. The fiberglass enclosure meets the requirements of the following classifications:

- NEMA 4X: Protects enclosed equipment against falling rain, splashing or hose directed water. Is undamaged by the formation of ice on the enclosure and is corrosion resistant.
- NEMA 12: Protects enclosed equipment against dust, dirt and dripping water.

Construction

- Impact resistant reinforced polyester fiberglass housing in grey finish. Suitable for NEMA 4, 4X, 12 & 13 applications
- Hinged front access door for ease of maintenance
- External 4 hole mounting provision provides ease of installation with minimal cabinet intrusion
- Two fully adjustable, top mounted Par 36 style lamp heads in high impact thermoplastic available with a variety of lamp types and wattage's
- Wet and damp location listed to UL 924

Electrical

- Suitable for use in temperature range of 10°C to 40°C – heater option available for colder applications
- Choice of maintenance free sealed Lead Calcium or Nickel Cadmium batteries
- Premium, fully automatic current limited "Pulse Switching" charger provides ideal charge conditions for optimum battery performance and life
- Short Circuit battery protection
- Field selectable 120 or 277 VAC input
- Sealed external Momentary test switch and dual diagnostic LED indicator displays AC presence and Hi-Charge status
- Brownout sensing assures emergency operation during periods of low line voltage



shown with optional LED heads

- Line-latch prevents unnecessary discharge of battery during installation, loads will not illuminate until after application of utility power
- Low voltage cut-off prevents battery damage and ensures positive charge acceptance following an extended discharge
- Self Test / Self Diagnostic monitoring available

Illumination

- Two fully adjustable, top mounted Par 36 style lamp heads in high impact thermoplastic available with a variety of lamp types and wattage's

Certification

- Listed to UL 924, meets NFPA 101 Life Safety Code, NFPA 70-NEC and OSHA requirements



Warranty

- 3 Year Limited Warranty

ORDERING GUIDE - IX Series

Example: IX2E27-LED5-SD

Model	Model	Lighting Heads	Options
Lead Calcium Battery 90 Minute Capacity IX2E27 6 Volt – 27 Watts IX2E36 6 Volt – 36 Watts IX2E60 6 Volt – 60 Watts IX2E72 6 Volt – 72 Watts IX2E100 6 Volt – 100 Watts IX2E120 6 Volt – 120 Watts IX4E36 12 Volt – 36 Watts IX4E60 12 Volt – 60 Watts IX4E72 12 Volt – 72 Watts IX4E120 12 Volt – 120 Watts IX4E140 12 Volt – 140 Watts IX4E160 12 Volt – 160 Watts IX4E180 12 Volt – 180 Watts IX4E360 12 Volt – 360 Watts IX6E360 24 Volt – 360 Watts	Nickel Cadmium Battery 90 Minute Capacity IX2N22 6 Volt – 22 Watts IX2N42 6 Volt – 42 Watts IX2N54 6 Volt – 54 Watts IX2N90 6 Volt – 90 Watts IX4N42 12 Volt – 42 Watts IX4N90 12 Volt – 90 Watts IX4N130 12 Volt – 130 Watts IX4N200 12 Volt – 200 Watts	W69 Standard 6 volt unit 9 Watt Lamp Head W129 Standard 12 volt unit 9 Watt Lamp Head W Wedge Base Tungsten C Capsule Halogen LED 5W 6 or 12V, 7W 6 or 12V For additional Lampheads refer to Lamp Selection Guide Data Sheet RH <i>Note: Total lamp wattage must not exceed unit 90 minute capacity rating</i>	SD Self Test / Self Diagnostic V Voltmeter A Ammeter H Internal Heater (-20° C) (Specify AC Voltage) SR Shatter Resistant Lamp Head Shield for food prep applications TD 15 Minute Time Delay (5, 10 or 15 Minute, Specify AC Voltage) F Front Mounted Heads BZ Buzzer (Audible Alarm) <i>*SD Includes time delay, specify 0, 10 or 20 Minutes</i>
IX			

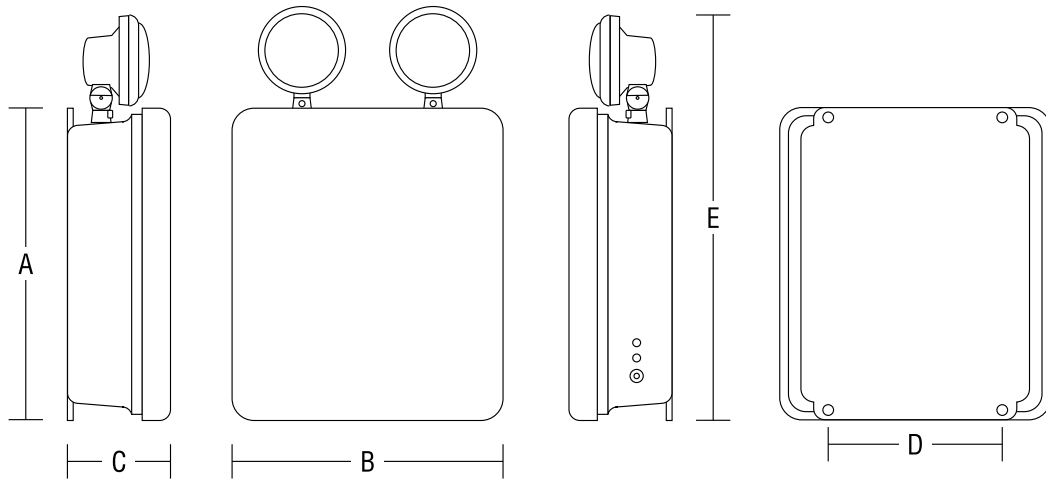
Fill in fields from categories above and complete type and part number.

Type Number:

Full Part Number:

Tufflite IX - Wet Location Emergency Light

NEMA 4, 4X, 12 & 13 • 6, 12 & 24 Volt 22-360 Watt



Operating Characteristics

Model	Voltage	Wattage			
		90 min	2 hrs	3 hrs	4 hrs
IX2N22	6	22	17	11	7
IX2E27	6	27	20	13	10
IX2E36	6	36	27	18	13
IX2N42	6	42	31	21	15
IX2N54	6	54	40	27	20
IX2E60	6	60	45	30	22
IX4E72	12	72	54	36	27
IX2N90	90	90	60	45	30
IX2E100	6	100	75	50	37
IX2E120	6	120	90	60	45
IX4N130	12	130	97	65	48
IX4E140	12	140	105	70	52
IX4E160	12	160	120	80	60
IX4E180	12	180	135	90	67
IX4N200	12	200	150	100	75
IX4E360	12	360	270	180	135

Case Dimensions

Model	"A"	"B"	"C"	"D"	"E"
IX2N22	11.43"	9.25"	5.43"	6.31"	16.5"
IX2E27	11.43"	9.25"	5.43"	6.31"	16.5"
IX2E36	11.43"	9.25"	5.43"	6.31"	16.5"
IX2N42	11.43"	9.25"	5.43"	6.31"	16.5"
IX2N54	13.43"	11.25"	5.43"	8.31"	18.5"
IX2E60	13.43"	11.25"	5.43"	8.31"	18.5"
IX2E72	13.43"	11.25"	5.43"	8.31"	18.5"
IX2N90	13.43"	11.25"	5.43"	8.31"	18.5"
IX2E100	13.43"	11.25"	5.43"	8.31"	18.5"
IX2E120	17.5"	15.375"	6.25"	12.25"	22.5"
IX4N130	15.5"	13.375"	6.25"	12.25"	22.5"
IX4E140	15.5"	13.375"	6.25"	12.25"	22.5"
IX4E160	17.5"	15.375"	6.25"	12.25"	23"
IX4E180	17.5"	15.375"	6.25"	12.25"	23"
IX4N200	17.5"	15.375"	6.25"	12.25"	23"
IX4E360	17.5"	15.375"	6.25"	12.25"	23"

*NiCad Batteries deliver the same capacity per wattage as above for listed models
6&12 volt models deliver the same capacity per wattage as above listed models*