

PROJECT NAME:	APPROVED BY:
CATALOG NO:	TYPE NO:

TUFFLITE S - EMERGENCY LIGHT

6 & 12 Volt • 36-90 Watt Metal

The Tufflite S Series provides compact emergency lighting units with the ability to power remote fixture loads. The cabinet is constructed of sturdy 18 or 20 gauge steel (model specific) and finished in an attractive durable white powder coat. Available with a broad range of sealed Lead Calcium or Nickel Cadmium batteries.

Construction

- Accommodates up to four lighting heads (2 top, 2 side) Standard units are supplied with two top mounted heads
- 20 gauge steel cabinet for models 42 watts and above, 18 gauge steel for models less than 42 watts with universal knock-out mounting pattern finished in a durable white powder coat finish (other colors available to order)
- Key hole mounting slots and conduit knockouts are provided for additional mounting possibilities

Electrical

- Choice of maintenance free sealed Lead Calcium or Nickel Cadmium batteries
- Premium, fully automatic current limited "Pulse Switching" charger provides ideal charge conditions for optimum battery performance and life
- Self Test / Self Diagnostic monitoring available
- External Momentary test switch and dual diagnostic LED indicator displays AC presence and Hi-Charge status
- Field selectable 120 or 277 VAC input
- Line-latch prevents unnecessary discharge of battery during installation, loads will not illuminate until after application of utility power



- Low voltage cut-off prevents battery damage and ensures positive charge acceptance following an extended discharge
- Brownout sensing assures emergency operation during periods of low line voltage
- Short circuit battery protection

Illumination

- Two fully adjustable, top mounted Par 36 style lighting heads in high impact thermoplastic are supplied as standard. Lighting heads are available with a variety of lamp types and wattage's

Certification

- Listed to UL 924, meets NFPA 101 Life Safety Code, NFPA 70-NEC and OSHA requirements

Warranty

- 3 Year Limited Warranty

ORDERING GUIDE – S Series

Example: S2E36-2-L67-SD

Model	Operating Voltage/Wattage		No. of Top Mounted Lighting Heads	Lighting Heads	Options
S	Lead Calcium Battery		0 No Lighting Heads 2 Double Lighting Heads	W69 Standard 6 volt unit 9 Watt Lamp Head W129 Standard 12 volt unit 9 Watt Lamp Head L65 6V 5W LED PAR 18 Thermoplastic L67 6V 7W LED PAR 18 Thermoplastic L125 12V 5W LED PAR 18 Thermoplastic L127 12V 7W LED PAR 18 Thermoplastic <i>Note: Total lamp wattage must not exceed unit 90 minute capacity rating</i>	SD Self Test / Self Diagnostic V Voltmeter A Ammeter TD 15 Minute Time Delay (Specify AC Voltage) CS 3 ft. Conductor Cord & Plug WG6 Wire Guard 20" x 17" x 12"
	Nickel Cadmium Battery				
	90 Minute Capacity				
	2E36 6 Volt – 36 Watts	2N42 6 Volt – 42 Watts			
	2E60 6 Volt – 60 Watts	2N90 6 Volt – 90 Watts			
	4E36 12 Volt – 36 Watts	4N42 12 Volt – 42 Watts			
4E60 12 Volt – 60 Watts	4N90 12 Volt – 90 Watts				
S					

Fill in fields from categories above and complete type and part number.

Type Number:

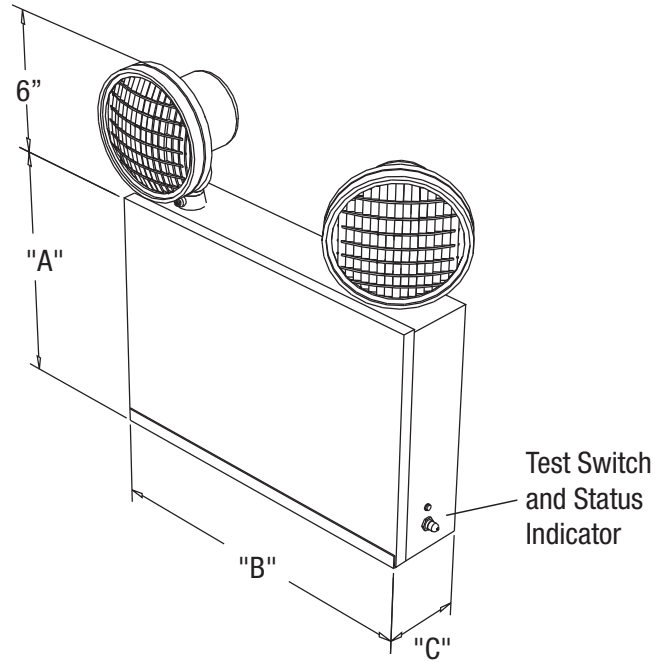
Full Part Number:

Tufflite S - Emergency Light

6 & 12 Volt • 36-90 Watt Metal



Shown with optional MR16 lampheads and now available with LED



Optional MR16 Heads Available Lamps

Voltage/Wattage	Lumens
12V 20W	342
6V 5WLED	300
6V 7WLED	300
12V 5WLED	300
12V 7WLED	382

Dimensions

Model	"A"	"B"	"C"
6&12V 36W	9.0"	10.0"	3.25"
6&12V 42,60,90W	10.125"	13.5"	4.25"

Operating Characteristics

Model	Voltage	Wattage			
		90 min	2 hrs	3 hrs	4 hrs
S2E36	6	36	27	18	12
S2N42	6	42	31	21	15
S2E60	6	60	45	30	22
S2N90	6	90	67	45	33